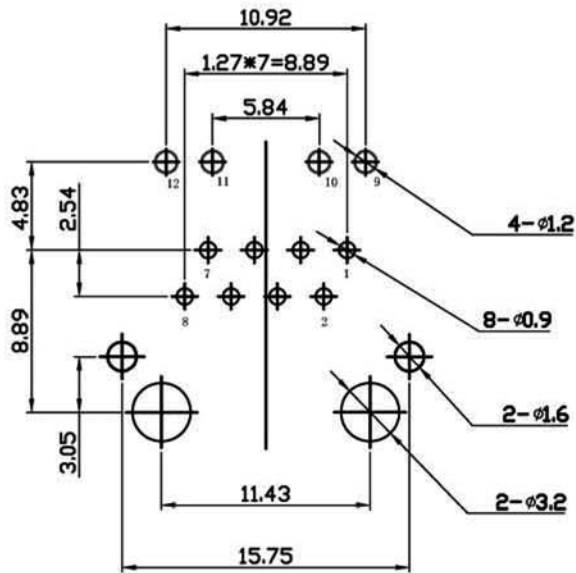
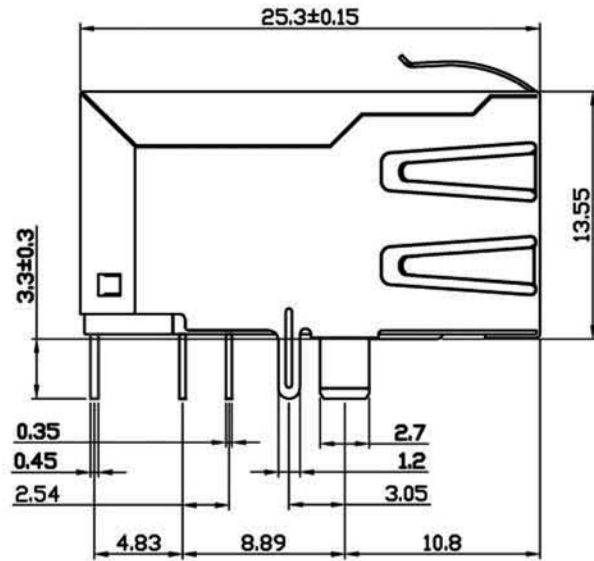
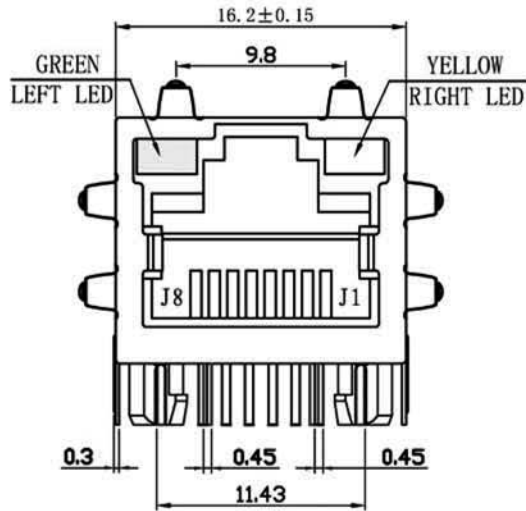
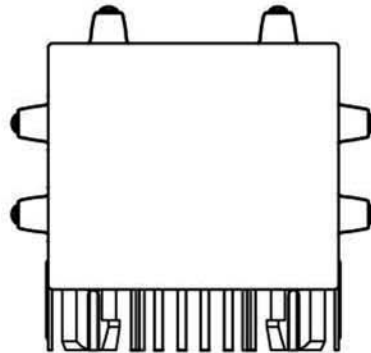


This document is the property of Amphenol Corporation and is delivered on the express condition that it is not to be disclosed, reproduced or used, in whole or in part, for the manufacture or sale by anyone other than Amphenol Corporation without its prior consent, and that no right is granted to disclose or to use any information in this document.



**PC Board Layout**  
Tolerance: +/-0.05mm



**GENERAL SPECIFICATION**

**DESCRIPTION**

- ◆ 10/100 BASE-TX RJ45 1X1 TAB-UP WITH LEDS
- INTEGRATED MAGNETICS CONNECTOR (ICM).

**FEATURES AND BENEFITS**

- ◆ ROHS PEAK WAVE SOLDER TEMPERATURE RATING 260° C.
- ◆ RJ45 1X1 8-PIN WITH INTERNAL MAGNETIC;
- ◆ SUITABLE FOR CAT5 AND CAT6 FAST ETHERNET CABLE OR BETTER UTP.
- ◆ INTERNAL MAGNETICS: 100% ELECTRONICALLY TESTED FOR HI POT AND FUNCTIONALITY.

**ELECTRICAL PERFORMANCE SUMMARY**

- ◆ MEETS IEEE802.3 SPECIFICATION AND 350uH MINIMUM OCL WITH 8mA BIAS CURRENT.
- ◆ HIGH PERFORMANCE FOR MAXIMUM EMI SUPPRESSION.

**TEMPERATURE PERFORMANCE**

- ◆ STORAGE TEMPERATURE RANGE: -25° C TO +85° C.
- ◆ OPERATION TEMPERATURE RANGE: 0° C TO +70° C.

**MATERIAL SPECIFICATION**

- ◆ SHIELD: BRASS, 0.2mm THICKNESS WITH NICKEL PLATED.
- ◆ HOUSING: PBT (30% GLASS FIBER, UL94U-0).
- ◆ CONTACT: PHOSPHOR BRONZE, 0.35mm THICKNESS, SELETIVE GOLD PLATING.

**Ordering Information**

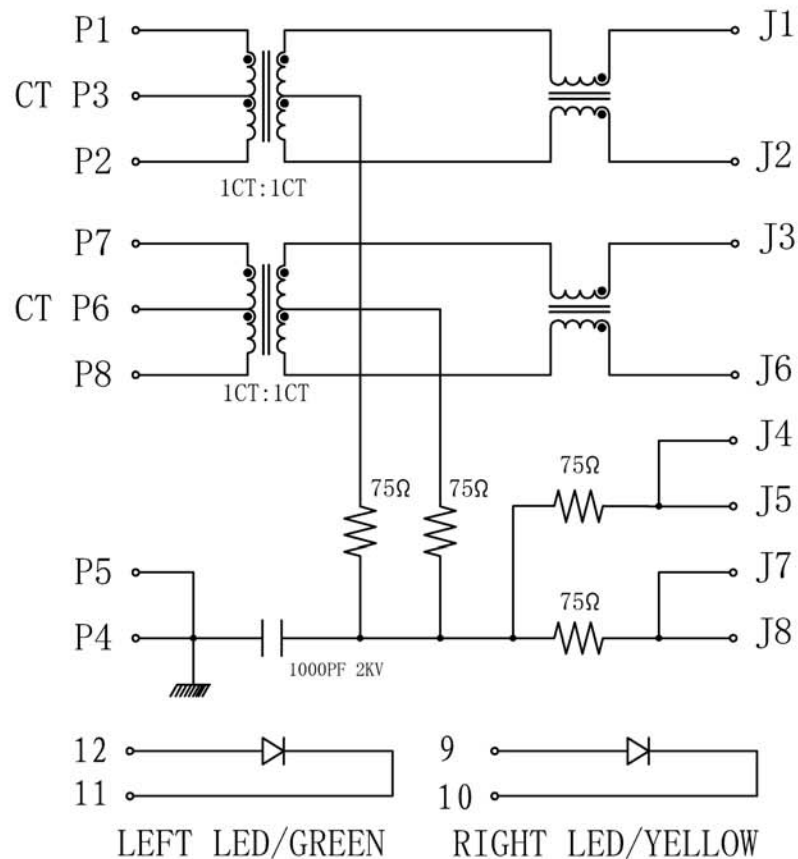
**LMJ205881X001CNL**

**Contact Plating**

- 1 = 15u" gold
- 2 = 30u" gold
- 3 = 50u" gold
- 4 = 6u" gold
- 5 = G/F



TOLERANCE (mm)	APPROVALS	DATE	TITLE	AMPHENOL Amphenol European Design Center	
±0.25	DRAWN Stephane	2014/Feb/12	100BASE-TX RJ45 R/A DIP TAB-UP w/LED G/Y	Scale N.A.	Sheet 1 of 2
	CHECKED Rob	2014/Feb/12			
	APPROVED Rob	2014/Feb/12			
UNLESS OTHERWISE SPECIFIED			UNIT: mm	SIZE: A4	DRAWING N°: LMJ205881X001CNL
					REV. A



## ELECTRICAL SPECIFICATIONS

- ◆ ALL TEST CONDITIONS @ 25°C UNLESS OTHERWISE NOTED.
- ◆ TURN RATIO:
  - TX, SECONDARY : PRIMARY = 1CT:1CT ± 3%.
  - RX, SECONDARY : PRIMARY = 1CT:1CT ± 3%.
- ◆ OCL: 350uH MIN, 8mA DC BIAS CURRENT.
- ◆ INSERTION LOSS: 1-100MHZ -1.0dB MAX.
- ◆ RETURN LOSS:
 

1MHZ TO 10MHZ	: -18dB MIN.
10MHZ TO 30MHZ	: -16dB MIN.
30MHZ TO 60MHZ	: -14dB MIN.
60MHZ TO 80MHZ	: -12dB MIN.
80MHZ TO 100MHZ	: -10dB MIN.
- ◆ CROSSTALK: 1MHZ TO 100MHZ : -35dB MIN.
- ◆ COMMON MODE REJECTION: 1-100MHZ : -35dB MIN.
- ◆ HIPOT: 1500V AC 1mA 1S.
- ◆ CAPACITOR: 1000pF ± 25% 2KV.
- ◆ RESISTANCE: 75OHMS ± 20%.
- ◆ RESISTANCE OF COIL: 1.80HMS MAX, 0.250HMS MIN.
- ◆ LEFT LED COLOR: GREEN; RIGHT LED COLOR: YELLOW.



TOLERANCE (mm)	APPROVALS	DATE	TITLE	AMPHENOL Amphenol European Design Center	
±0.25	DRAWN Stephane	2014/Feb/12	100BASE-TX RJ45 R/A DIP TAB-UP w/LED G/Y	Scale N.A.	Sheet 2 of 2
	CHECKED Rob	2014/Feb/12			
	APPROVED Rob	2014/Feb/12			
UNLESS OTHERWISE SPECIFIED		UNIT : mm	SIZE : A4	DRAWING N° LMJ205881X001CNL	REV. A