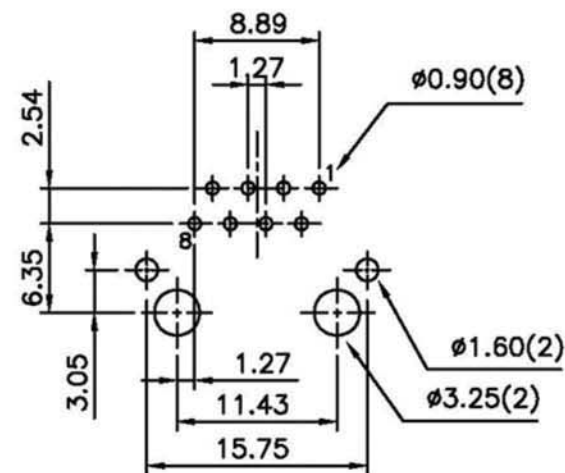
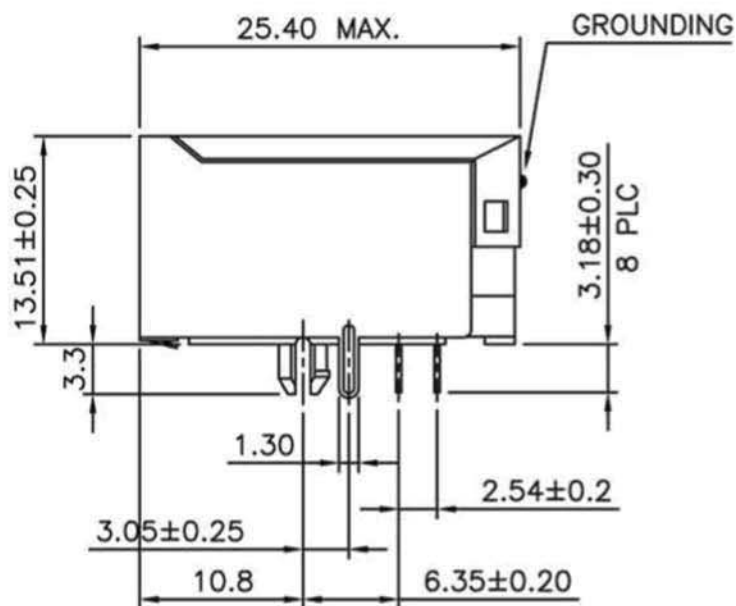
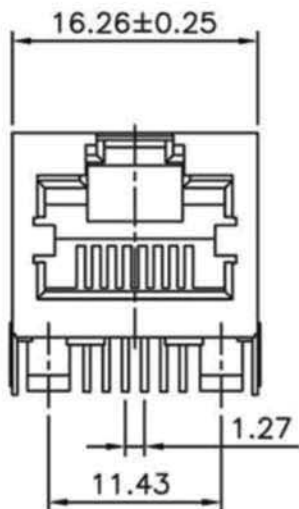
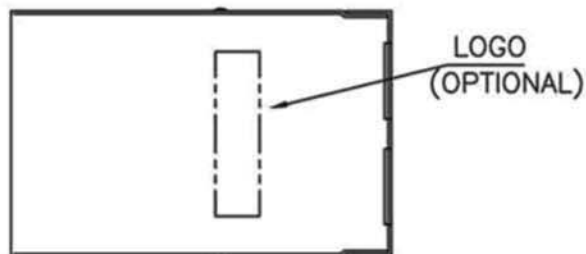


MATERIAL:

- HOUSING— DSM STANYL TE250F6
HEAT DEFLECTION TEMP.290
COLOR—BLACK.UL-94V-0
- CONTACTS—0.35mm THICK PHOS-BRONZE PLATED
WITH HARD GOLD AND TIN ON SOLDER
AREA.
- SHIELD—0.20mm THICK COPPER ALLOY,
PLATED WITH NICKEL

CAVITY CONFIRMS TO FCC RULES AND REGULATIONS
PART 68,SUBPART F.



PCB LAYOUT
Ref.



TOLERANCE (mm)	APPROVALS	DATE	TITLE	AMPHENOL
X, ±0.3	DRAWN Stephane	06/Jul/2010	Transformer RJ45 R/A Dip	Amphenol European Design Center
X.X ±0.2	CHECKED Rob	06/Jul/2010		
X.XX ±0.15	APPROVED Rob	06/Jul/2010		
UNLESS OTHERWISE SPECIFIED	UNIT: mm	SIZE: A4	DRAWING N°	Scale N.A. Sheet 1 of 2
			LMJ201881X100DT4	REV. A

Specification :

Item	Parameter	Condition	Min.	Typ.	Max.	Unit	REMARK
1	Insertion loss	@1-65 MHz			-1.0	dB	
2	Return loss	@1-10 MHz	-20			dB	
		@10-30 MHz	-16			dB	
		@30-60 MHz	-12			dB	
		@60-80 MHz	-10			dB	
3	Crosstalk	@1-30 MHz		-40		dB	
		@30-60 MHz		-35		dB	
		@60-100 MHz		-30		dB	
5	Hipot	V _{rms}	1.5			kV	
6	Operating temperature range						NOTE 1

* NOTE 1: 0°C TO +70°C.

Ordering information

LMJ201881X100DT4
a

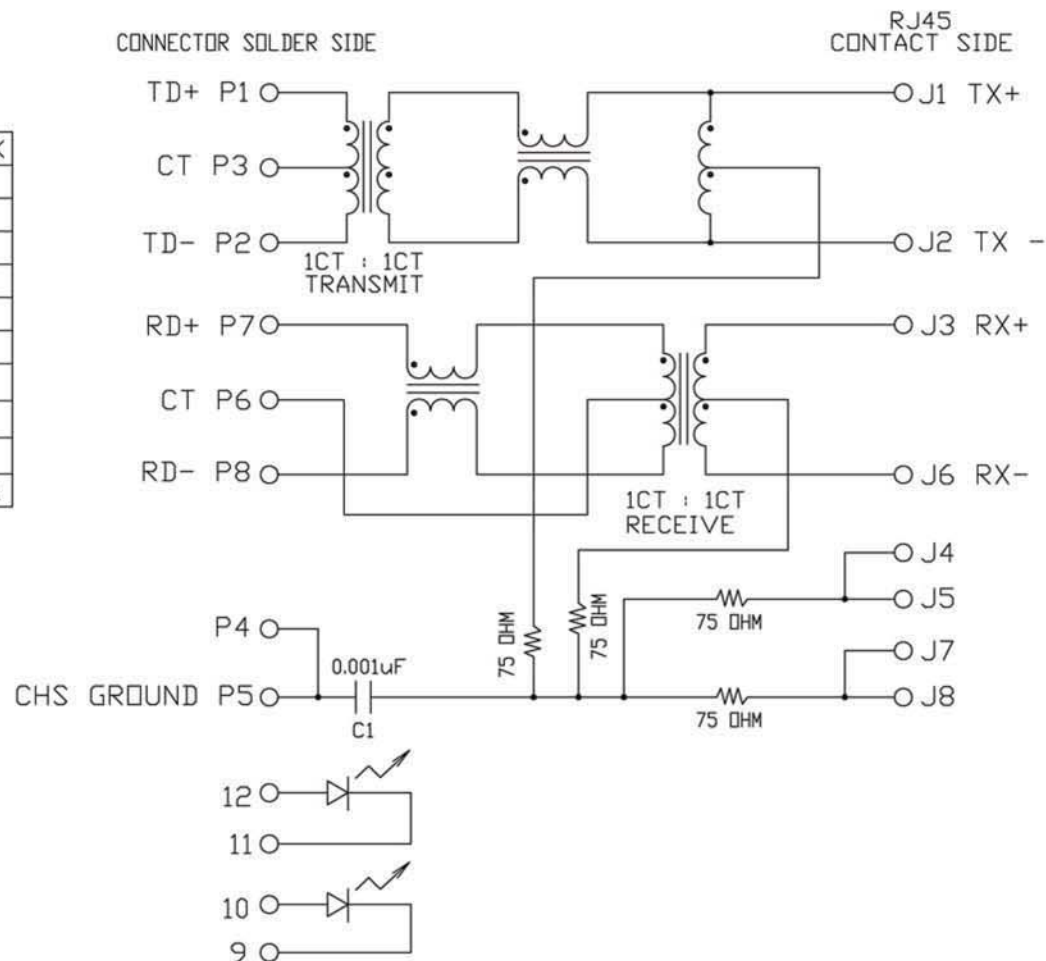
a: Contact plating

1: 15 U" gold

2: 30U" gold

3: 50U" gold

4: 6U" gold



NOTE: CONNECT CHS GND TO PCB GROUND.
CONNECTOR SCHEMATIC



TOLERANCE (mm)	APPROVALS	DATE	TITLE	AMPHENOL
X, ±0.3	DRAWN Stephane	06/Jul/2010	Transformer RJ45 R/A Dip	Amphenol European Design Center
X.X ±0.2	CHECKED Rob	06/Jul/2010		
X.XX ±0.15	APPROVED Rob	06/Jul/2010		
UNLESS OTHERWISE SPECIFIED	UNIT : mm	SIZE : A4	DRAWING N° LMJ201881X100DT4	Scale N.A. Sheet 2 of 2 REV. A