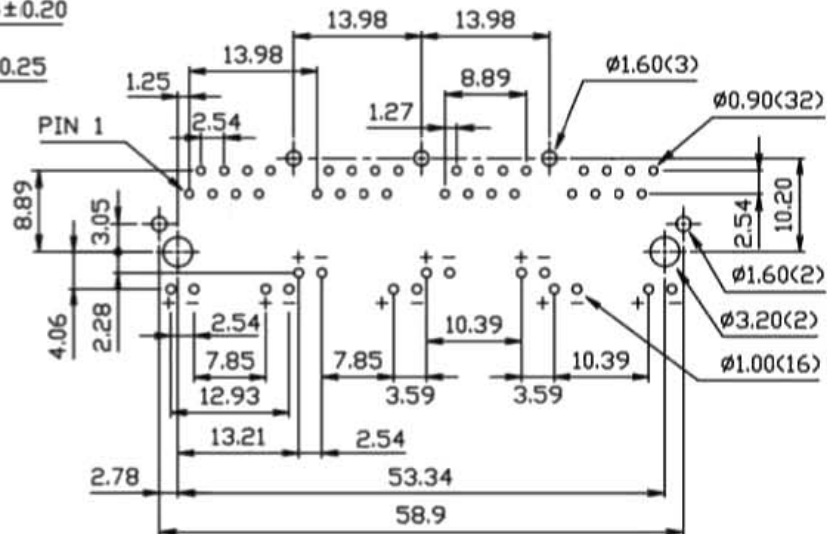


MATERIALS:

- HOUSING-PBT POLYESTER UL94V-0 MIXED GLASS FIBER, STANDARD COLOR-BLACK.
- CONTACTS-0.35mm THICK PHOS-BRONZE PLATED WITH HARD GOLD AND GOLD FLASH IN SOLDER AREA.
- SHIELD-0.25mm THICK COPPER ALLOY, PLATED WITH NICKEL.

CAVITY CONFIRMS TO FCC RULES AND REGULATIONS PART 68,SUBPART F.



RECOMMENDED PCB LAYOUT

TOLERANCE: ±0.05 (TOP VIEW)

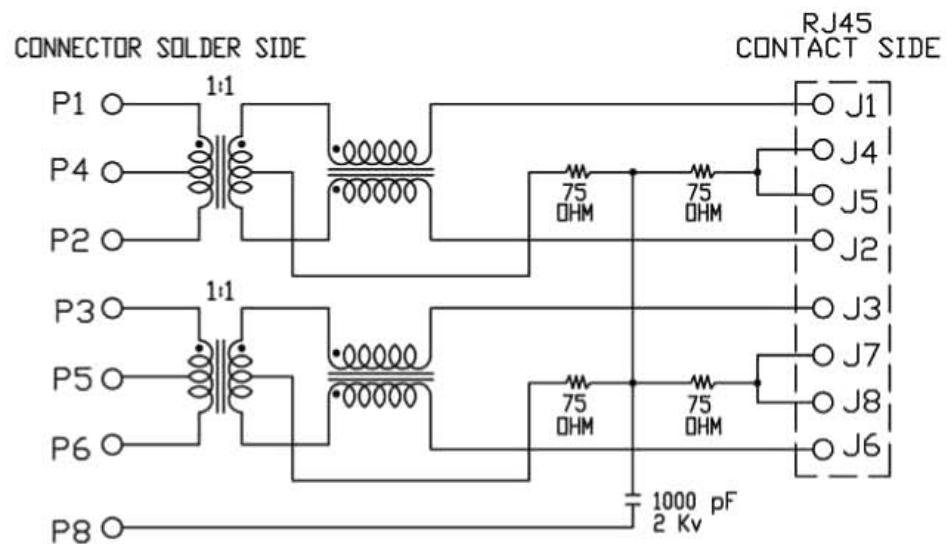


TOLERANCE (mm)	APPROVALS	DATE	TITLE	AMPHENOL
X. ±0.3	DESIGN: Stephane	2010/06/04	Modular Jack RJ45 1x4ports w/ transformer	Amphenol European Design Center
XX ±0.2	CHECKED: Rob	2010/06/04		
X.XX ±0.15	APPROVED: Rob	2010/06/04		Scale N.A. Sheet 1 of 2
UNLESS OTHERWISE SPECIFIED			UNIT: mm	SIZE: A4
			DRAWING N°: LMJ199882X433DL1TO	REV: D

TRANSFORMER TYPE

Specification :

Item	Parameter	Condition	Min.	Typ.	Max.	Unit	REMARK
1	Insertion loss	1-100 MHz			-1	dB	
2	Return loss	1-30 MHz	-20			dB	
		30-60 MHz	-15			dB	
		60-80 MHz	-11			dB	
3	Primary Inductance @100KHz, 0.1Vrms, 8mA DC BIAS	(1-2), (7-8)	350			μH	
4	Crosstalk	1-100 MHz	-30			dB	
5	Hipot	Vrms	1.5			kV	



CONNECTOR SCHEMATIC

Ordering Information

LMJ199 882X 433DL1TO
a

a. Contact Plating

1: 15u" gold

2: 30u" gold

3: 50u" gold

4: 6u" gold



TOLERANCE (mm)	APPROVALS	DATE	TITLE	AMPHENOL
X. ±0.3	DRAWN Stephane	2010/06/04	Modular Jack RJ45 1x4ports w/ transformer	Amphenol European Design Center
X.X ±0.2	CHECKED Rob	2010/06/04		
X.XX ±0.15	APPROVED Rob	2010/06/04		Scale N.A. Sheet 2 of 2
UNLESS OTHERWISE SPECIFIED	UNIT: mm	SIZE: A4	DRAWING N°	REV. D

LMJ199882X433DL1TO