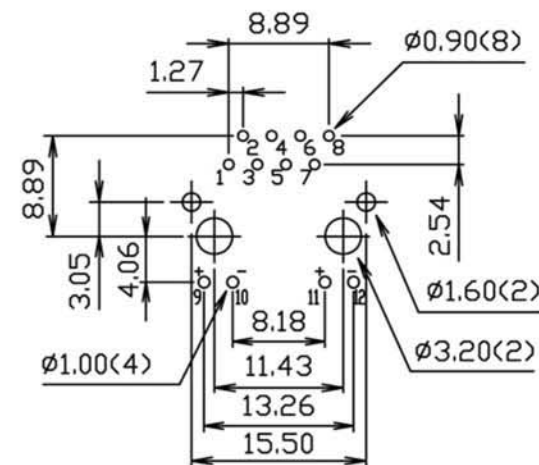


- MATERIALS:**
- HOUSING-DSM STANYL TE250F6 (NYLON-46)  
HEAT DEFLECTION TEMP.290°  
BLACK COLOR, UL94V-0
  - CONTACTS-0.35mm THICK PHOS-BRONZE PLATED  
WITH HARD GOLD AND GOLD FLASH IN  
SOLDER AREA.
  - SHIELD-0.25mm THICK COPPER ALLOY,  
PLATED WITH NICKEL.

CAVITY CONFIRMS TO FCC RULES AND REGULATIONS  
PART 68,SUBPART F.

OPERATING TEMPERATURE -40°C TO 85°C



# LMJ199882X130DL1TOJ

Contact plating

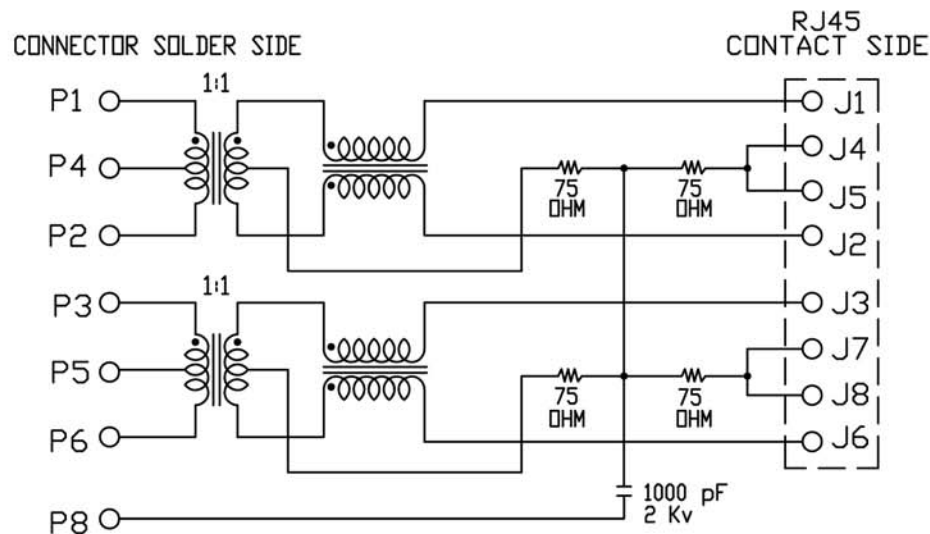
- 1: 15u" gold
- 2: 30u" gold
- 3: 50u" gold
- 4: 6u" gold



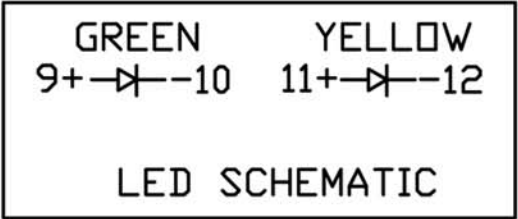
| TOLERANCE (mm)             | APPROVALS         | DATE       | TITLE                                    | AMPHENOL<br>Amphenol European<br>Design Center |              |
|----------------------------|-------------------|------------|--|--|--------------|
| X. ±0.3                    | DRAWN<br>Stephane | 4/oct/2010 | Transformer RJ45 Dip<br>Side Entry w/LED | Scale N.A.                                     | Sheet 1 of 2 |
| X.X ±0.2                   | CHECKED<br>Rob    | 4/oct/2010 |  |  |              |
| X.XX ±0.15                 | APPROVED<br>Rob   | 4/oct/2010 |  |  |              |
| UNLESS OTHERWISE SPECIFIED | UNIT: mm          |            | SIZE: A4                                 | DRAWING N°: LMJ199882X130DL1TOJ                | REV. B       |

Specification :

| Item | Parameter  | Condition    | Min. | Typ. | Max. | Unit | REMARK |
|------|--|--------------|------|------|------|------|--------|
| 1    | Insertion loss                                   | 1-100 MHz    |      |      | -1   | dB   |        |
| 2    | Return loss                                      | 1-30 MHz     | -20  |      |      | dB   |        |
|      |  | 30-60 MHz    | -15  |      |      | dB   |        |
|      |  | 60-80 MHz    | -11  |      |      | dB   |        |
| 3    | Primary Inductance @100KHz, 0.1Vrms, 8mA DC BIAS | (1-2), (7-8) | 350  |      |      | μH   |        |
| 4    | Crosstalk  | 1-100 MHz    | -30  |      |      | dB   |        |
| 5    | Hipot  | Vrms         | 1.5  |      |      | kV   |        |



CONNECTOR SCHEMATIC



LED SCHEMATIC



| TOLERANCE (mm)             | APPROVALS         | DATE       | TITLE                                    | AMPHENOL<br>Amphenol European Design Center |                     |
|----------------------------|-------------------|------------|--|---|---------------------|
| X. ±0.3                    | DRAWN<br>Stephane | 4/oct/2010 | Transformer RJ45 Dip<br>Side Entry w/LED | Scale N.A.                                  | Sheet 2 of 2        |
| X.X ±0.2                   | CHECKED<br>Rob    | 4/oct/2010 |  |   |                     |
| X.XX ±0.15                 | APPROVED<br>Rob   | 4/oct/2010 |  |   |                     |
| UNLESS OTHERWISE SPECIFIED | UNIT : mm         |            | SIZE : A4                                | DRAWING N°                                  | LMJ199882X130DL1TOJ |
|                            |                   |            |  | REV.  | B                   |