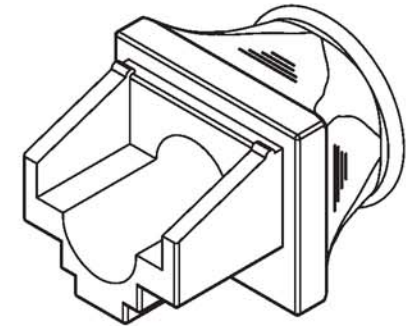
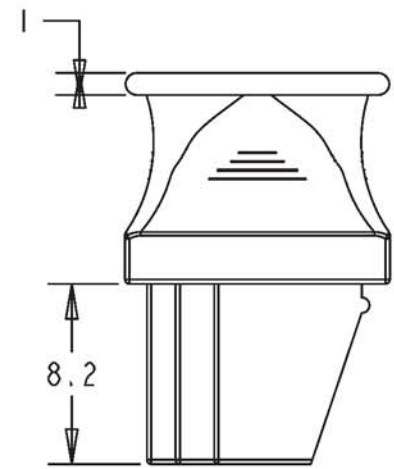
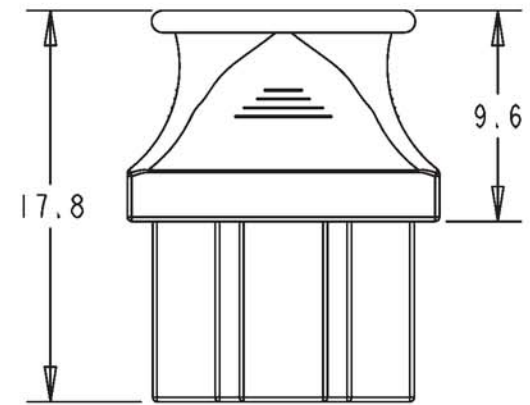
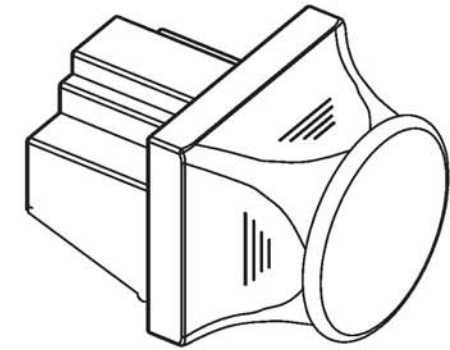
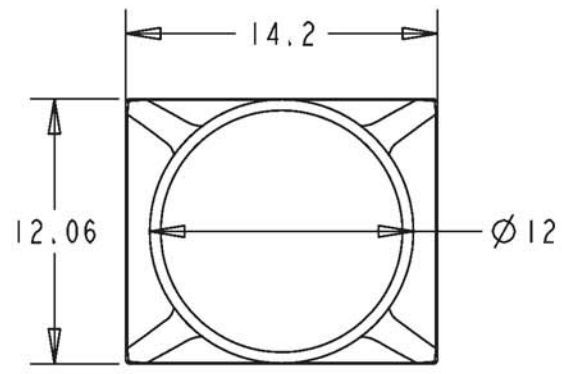
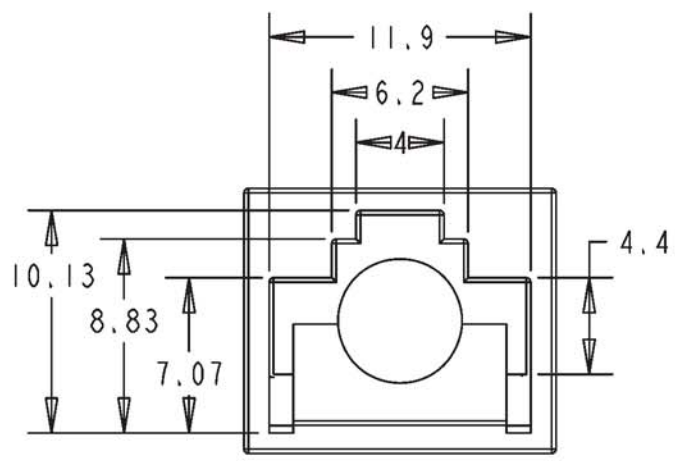


This document is the property of Amphenol Corporation and is delivered on the express condition that it is not to be disclosed, reproduced or used, in whole or in part, for the manufacture or sale by anyone other than Amphenol Corporation without its prior consent, and that no right is granted to disclose or to use any information in this document.



TOLERANCE (mm)	APPROVALS	DATE	TITLE	Amphenol Amphenol European Design Center	
X. ±0.30	DRAWN Stephane	11/Mar/2015	Dust cover for RJ45	Scale N.A.	Sheet 1 of 1
X.X ±0.20	CHECKED Rob	11/Mar/2015			
X.XX ±0.15	APPROVED Rob	11/Mar/2015			
UNLESS OTHERWISE SPECIFIED	UNIT: mm	SIZE: A4	DRAWING N°	LMJ008C1	REV. B