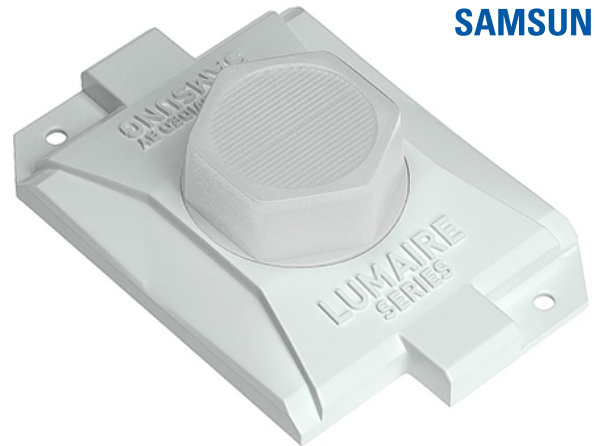


ATRIA LM-SAG2R-W1

Features

- High reliability LEDs by Samsung (3535)
- High luminous efficiency - 105 lm/W
- Special elliptical lighting lens - 45 x 10°
- Intelligent Control driver (IC)
- Constant current driver (CC)
- LM80 Rated (>80% of max. light output after 5 years)
- Flame retardant RESIN body (meets UL94 V-1 flammability standard)
- Can be cut between every module
- Attached 3M double-sided adhesive tape

5 year
warranty
SAMSUNG



Applications

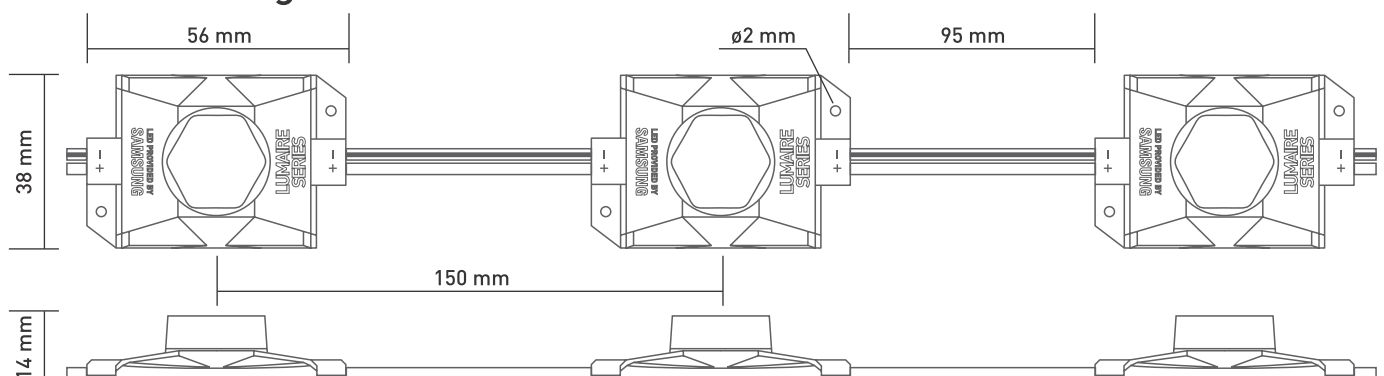
- Typically used in light boxes
- Can depth/returns: 80 - 200 mm
- Double-sided light boxes
- Citylights
- Outdoor banners

Specifications

Product code	LM-SAG2-W1	LM-SAG2-WW1
Available colours	White	Warm white
Color temperature, K	6500~7000K	3000~3500K
Power, W	1.44W at 12V	
Typical luminous flux, lm	150 Lm (white)	
LED Type	3535 (Samsung LED)	
Dimensions	56 x 38 x 14 mm	
Protection class	IP67 - Fully enclosed, flame retardant RESIN body	
Drivers	Intelligent Control (IC), Constant Current (CC). Dimming: available	
Working temperature, C°	-30C° ~ +50C°	
Cable length	Cable: 95 mm. Distance between centers: 150 mm	
Mounting	Double-sided adhesive tape and mounting holes	
Packaging	20 pcs/chain, 20 pcs/pallet, 100 pcs/inner carton,	

*Additional mounting information: the double-sided adhesive tape is for placement of the module only and additional fixation is needed

Technical drawing



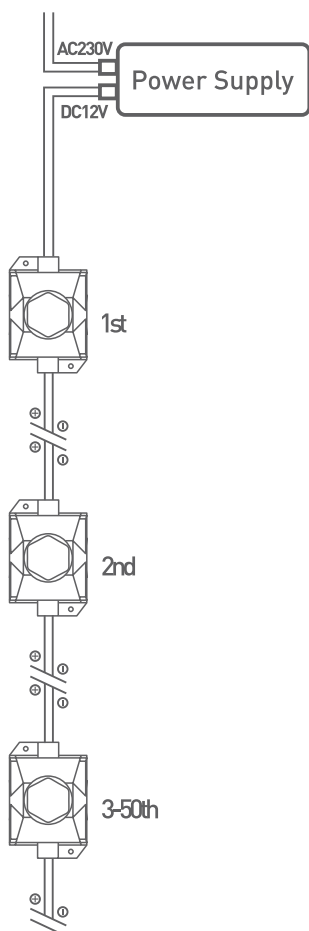
Layout recommendations

LED Module	Letter / Lightbox / Projector sign depth, mm																						
	30	40	50	60	70	80	90	100	110	120	130	140	150	160	170	180	190	200	210	220	230	240	250
LM-SAG2-W1	◆	◆	◆	◆	◆	◆	◆	◆															
LM-SAG2-W3						◆	◆	◆	◆	◆	◆	◆	◆										
LM-SAG3-W3										◆	◆	◆	◆	◆	◆	◆	◆	◆	◆	◆	◆	◆	◆
LM-SAG2R-W1						◆	◆	◆	◆	◆	◆	◆	◆	◆	◆	◆	◆	◆					

Max. load per power supply, pcs.

LED Module	LPS-12V18W Power: 18W	LPS-12V60W Power: 60W	LPS-12V100W Power: 100W
LM-SAG2-W1	25	84	142
LM-SAG2-W3	19	63	104
LM-SAG3-W3	12	40	67
LM-SAG2R-W1	10	35	58

Connection In series



Connection In parallel

