



Description

- Industry standard leaded package
Resistance welded, hermetically sealed in an inert atmosphere, glass to metal seals on leads
- Standard 2 leg HC49 package
- Model HC49
- Model Issue number 15

Frequency Parameters

- Frequency 22.11840MHz
- Frequency Tolerance ±20.00ppm
- Frequency Stability ±50.00ppm
- Operating Temperature Range -10.00 to 60.00°C
- Overtone Order Fundamental
- Ageing ±3ppm typical per year

Electrical Parameters

- Load Capacitance SRpF
- Shunt Capacitance 7pF max
- Drive Level 1mW max
- ESR 35.00Ω max

Environmental Parameters

- Shock: 981m/s², 6ms, 3 times in each of 3 mutually perpendicular planes
- Vibration: 10Hz-60Hz, 0.75mm amplitude, 60Hz-500Hz, 98.1m/s², 30mins in 3 mutually perpendicular planes
- Storage Temperature Range: -55 to 125°C

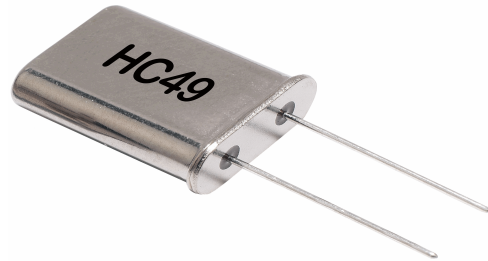
Compliance

- RoHS Status (2011/65/EU) Compliant
- REACH Status Compliant
- MSL Rating (JDEC-STD-033): Not Applicable

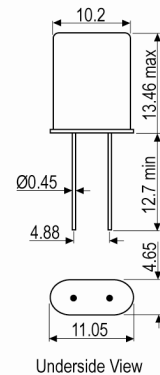
Packaging Details

- Pack Style: Bulk Loose in bulk pack
- Pack Size: 100
- *Alternative packing option available*

This document is correct at the time of printing; please contact your local office for the latest version.



Outline (mm)



Sales Office Contact Details:

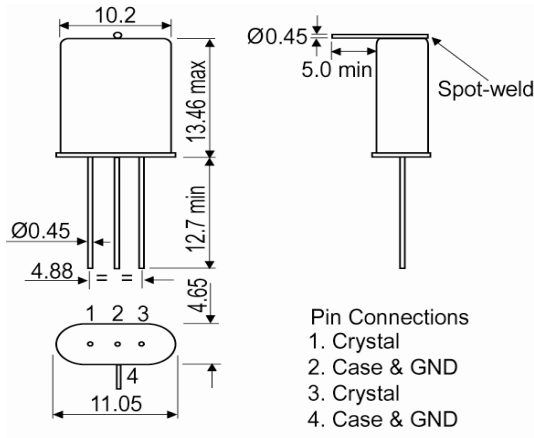
UK: +44 (0)1460 270200
Germany: 0800 1808 443

France: 0800 901 383
USA: +1 408.273.4530

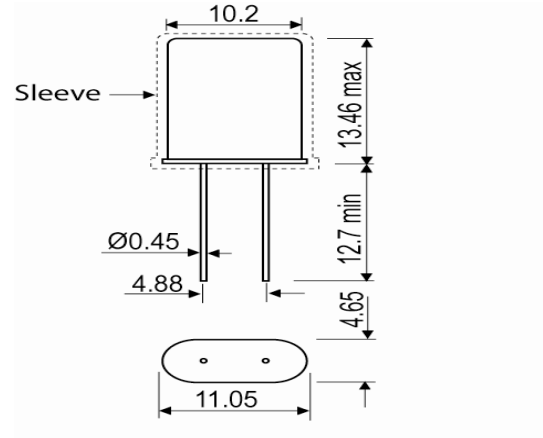
Email: info@iqdfrequencyproducts.com
Web: www.iqdfrequencyproducts.com



Outline (mm) -3L/TW = 3 Lead and Top Wire



Outline (mm) -SL = Sleeve



Sales Office Contact Details:

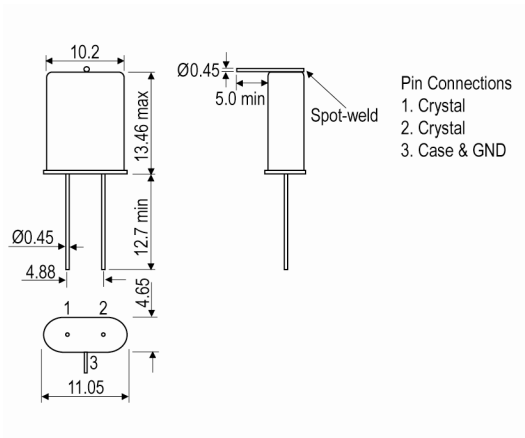
UK: +44 (0)1460 270200
Germany: 0800 1808 443

France: 0800 901 383
USA: +1 408.273.4530

Email: info@iqdfrequencyproducts.com
Web: www.iqdfrequencyproducts.com



Outline (mm) -TW = Top Wire



Sales Office Contact Details:

UK: +44 (0)1460 270200
Germany: 0800 1808 443

France: 0800 901 383
USA: +1 408.273.4530

Email: info@iqdfrequencyproducts.com
Web: www.iqdfrequencyproducts.com