

DBK David+Baader GmbH
 Rheinstr. 72-74
 D-76870 Kandel

e-mail: info@dbk-group.de
www.dbk-group.de

Telefon +49 (0) 7275 703 0
 Fax +49 (0) 7275 703 249

Seite 1/1



Technical Specification

LA 09 6/20 220-240V

All rights reserved



Type: LA09 6/20 220-240V 500W
 Part No.: 15076.3

Contents

1. Product Description
2. Technical Data
3. Drawing
4. Characteristic Curves
5. Safety
6. Electrical Connection Diagram

Index	Revision Information	Date	Name	Release
a	First edition	03.03.2005	Lehmann D.	Buchlaub N.

DBK David+Baader GmbH
Rheinstr. 72-74
D-76870 Kandel

e-mail: info@dbk-group.de
www.dbk-group.de

Telefon +49 (0) 7275 703 0
Fax +49 (0) 7275 703 249

Seite 2/2



Technical Specification

LA 09 6/20 220-240V

All rights reserved

1. Product description

PTC fan heater units for air conditioning and protection against condensation and frost. Suitable for installation into most commercial enclosures.

Design Features:

- PTC heating element
- Solid plastic housing
- Temperature limiter (thermal cut-out 80°C)
- Integrated radial fan

2. Technical Data

2.1 General :

Manufacturer: DBK David+Baader GmbH
Product Name: Fan heater kit with PTC heating element
DBK-Order No 15076.3
Type: LA09 6/20 220-240V 500W

Outlet air temperature: approx. 95°C measured at 1cm distance from centre of heating element, 20°C air inlet temp., flow rate Q=50m³/h

Operating temperature range: -5°C to +60°C Maximum value fan motor
Humidity: 85% relative humidity

Max. surface temp.: approx. 200°C **No operating mode**
Power (in case of failure): 42 W Max. temp. of radiator element at Q=0m³/h (fan switched off)
Power at Q=0m³/h (fan switched off)

Weight: approx. 530 g

2.2 Electrical Data :

Rated voltage: 220-240V AC, 50Hz
Output (*) 540 W (*) Relating to measuring conditions stated below (see *).
Depending on installation conditions the output can differ.

Inrush current 5,5 A

(*) Measuring conditions:

Testing voltage: 230V

Ambient air temperature T_{air} 20°C

Mounting situation in

sheet metal box: - air intake at fan wheel (opening Ø72mm)
- air outlet 98x40mm with 19 ea grille rods 2,4x40mm
→ cross-sectional area of outlet: 2096mm²

Resulting flow rate : Q=50m³/h

DBK David+Baader GmbH
 Rheinstr. 72-74
 D-76870 Kandel

e-mail: info@dbk-group.de
www.dbk-group.de

Telefon +49 (0) 7275 703 0
 Fax +49 (0) 7275 703 249

Seite 3/3



Technical Specification LA 09 6/20 220-240V All rights reserved

Electrical connection:

- Heating element and temperature limiter: blade terminals 6,3x0,8mm, steel nickel plated
 - Fan motor: connection through wires
- (See electrical connection diagram in section 6)

2.3 Fan motor :

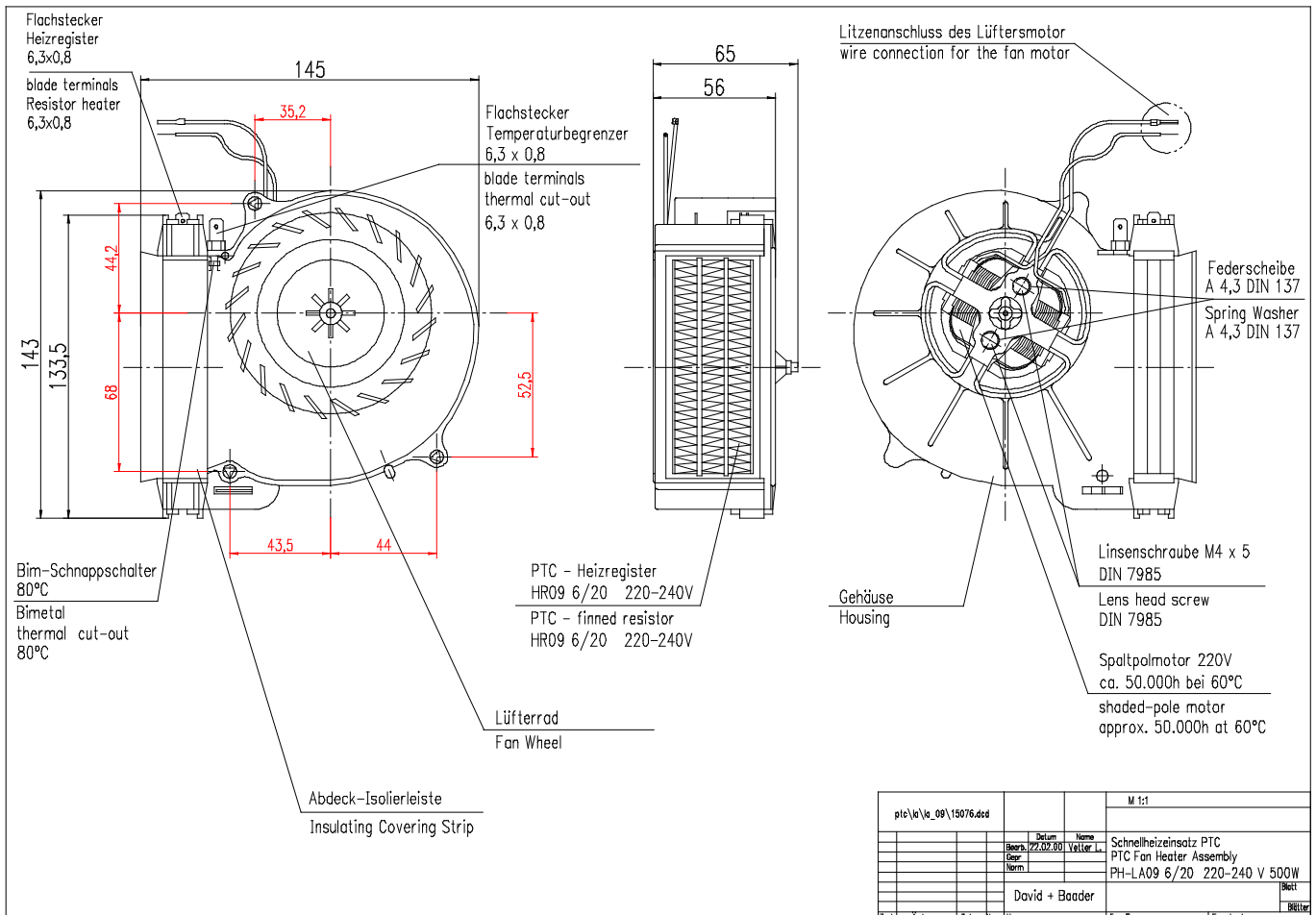
- Rated voltage: 220-240V AC, 50Hz
 - Power motor: 16W
 - Life time: 50.000 h
 - Operating temperature range: -5°C to 60°C
- At max. 60°C ambient air temp., mounting position from horizontal to vertical, normal degree of air pollution

2.4 Temperature limiter :

- Bimetal thermal cut-out
- Cut-out temperature: 80°C

3. Drawing

Drawings not subject to automatic updating



DBK David+Baader GmbH
Rheinstr. 72-74
D-76870 Kandel

e-mail: info@dbk-group.de
www.dbk-group.de

Telefon +49 (0) 7275 703 0
Fax +49 (0) 7275 703 249

Seite 4/4



Technical Specification

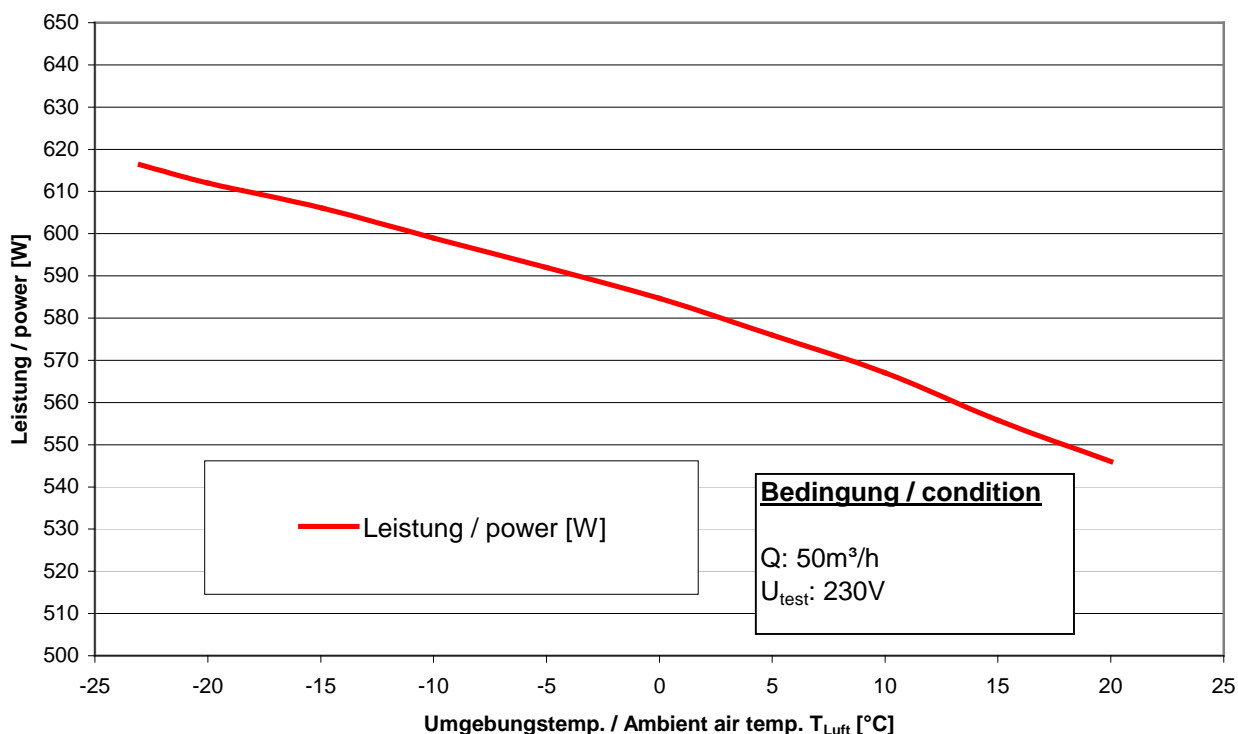
LA 09 6/20 220-240V

All rights reserved

4. Characteristic Curve

Power vs ambient air temperature

Leistung / power [W]



5. Safety

DBK David+Baader GmbH is **ISO/TS 16949:2002** certified.

The product quality is ensured by a 100% inspection on safety and function.

Safety Information:

- all metal parts on the heater are live parts and must be touch-protected when the unit is installed.
- operation in aggressive environments is inadmissible
- the air flow must not be obstructed by mounting environment or any other objects.
- minimum clearances stipulated in national directions shall be adhered to.

DBK David+Baader GmbH
Rheinstr. 72-74
D-76870 Kandel

e-mail: info@dbk-group.de
www.dbk-group.de

Telefon +49 (0) 7275 703 0
Fax +49 (0) 7275 703 249

Seite 5/5

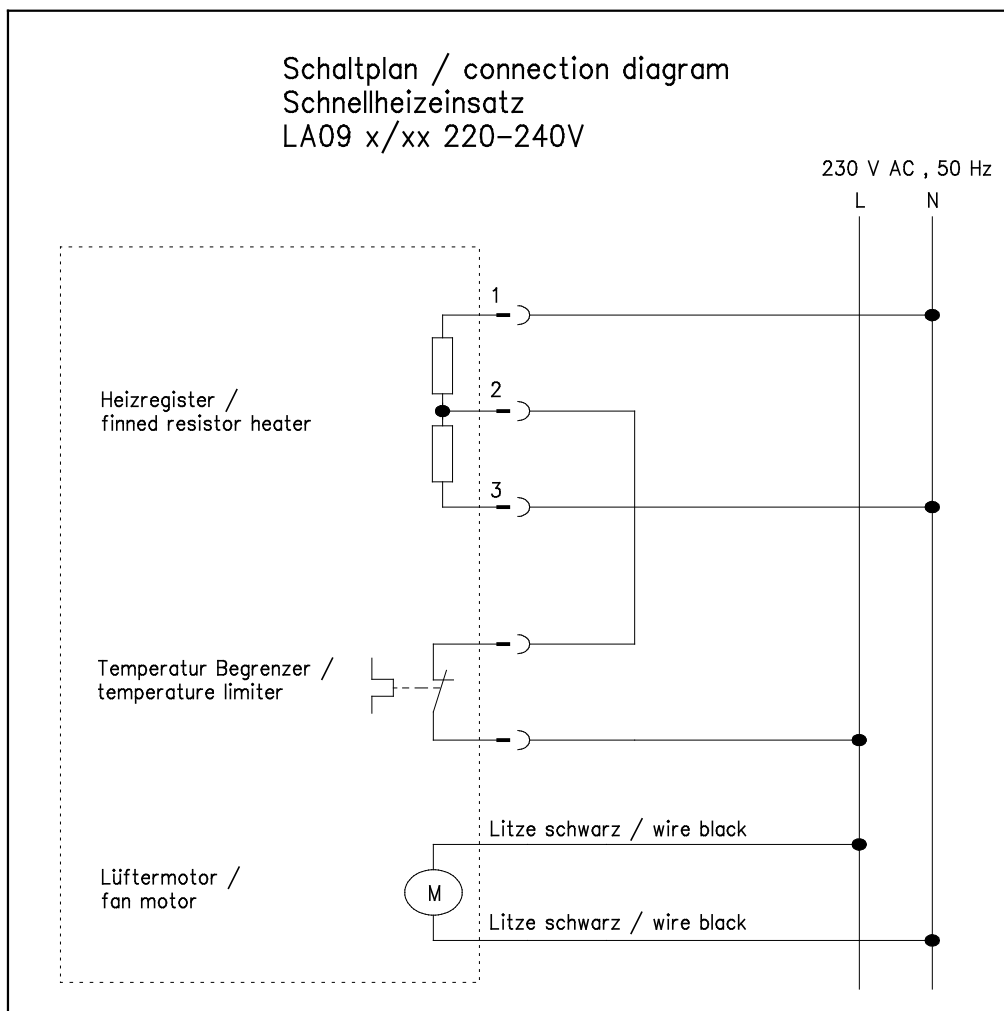


Technical Specification

LA 09 6/20 220-240V

All rights reserved

6. Electrical connection diagram



This information does not release the customer from independent application tests. Apart from the validations stated on the product, the installation must comply with relevant local regulations, technical directions and recognised standards.

This specification is not subject to automatic updating.

The right to modify the technical specifications is reserved.