

L-934ND

PURE ORANGE

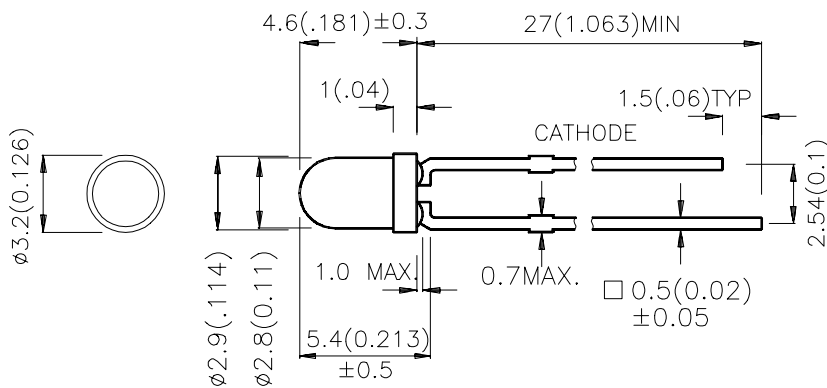
Features

- LOW POWER CONSUMPTION.
- POPULAR T-1 DIAMETER PACKAGE.
- GENERAL PURPOSE LEADS.
- RELIABLE AND RUGGED.
- LONG LIFE - SOLID STATE RELIABILITY.
- AVAILABLE ON TAPE AND REEL.

Description

The Pure Orange source color devices are made with Gallium Arsenide Phosphide on Gallium Phosphide Pure Orange Light Emitting Diode.

Package Dimensions



Notes:

1. All dimensions are in millimeters (inches).
2. Tolerance is $\pm 0.25(0.01)$ unless otherwise noted.
3. Lead spacing is measured where the lead emerge package.
4. Specifications are subject to change without notice.

Selection Guide

| Part No. | Dice | Lens Type | Iv (mcd) @ 10mA | | Viewing Angle |
|----------|-------------------------|-----------------|--------------------|------|------------------|
| | | | Min. | Typ. | 2θ1/2 |
| L-934ND | PURE ORANGE (GaAsP/GaP) | ORANGE DIFFUSED | 8 | 30 | 60° |

Note:

1. θ1/2 is the angle from optical centerline where the luminous intensity is 1/2 the optical centerline value.

Electrical / Optical Characteristics at T_A=25°C

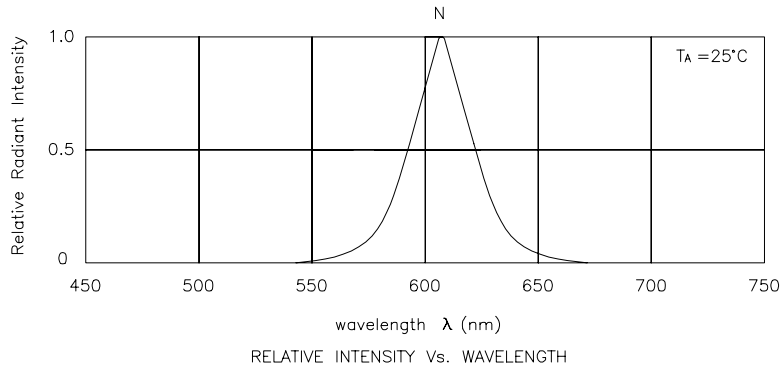
| Symbol | Parameter | Device | Typ. | Max. | Units | Test Conditions |
|-------------------|--------------------------|-------------|------|------|-------|---------------------------|
| λ _{peak} | Peak Wavelength | Pure Orange | 607 | | nm | I _F =20mA |
| λ _D | Dominant Wavelength | Pure Orange | 610 | | nm | I _F =20mA |
| Δλ _{1/2} | Spectral Line Half-width | Pure Orange | 35 | | nm | I _F =20mA |
| C | Capacitance | Pure Orange | 15 | | pF | V _F =0V;f=1MHz |
| V _F | Forward Voltage | Pure Orange | 2.05 | 2.5 | V | I _F =20mA |
| I _R | Reverse Current | Pure Orange | | 10 | uA | V _R = 5V |

Absolute Maximum Ratings at T_A=25°C

| Parameter | Pure Orange | Units |
|-------------------------------|---------------------|-------|
| Power dissipation | 105 | mW |
| DC Forward Current | 25 | mA |
| Peak Forward Current [1] | 145 | mA |
| Reverse Voltage | 5 | V |
| Operating/Storage Temperature | -40°C To +85°C | |
| Lead Solder Temperature [2] | 260°C For 5 Seconds | |

Notes:

1. 1/10 Duty Cycle, 0.1ms Pulse Width.
2. 2mm below package base.



Pure Orange

L-934ND

