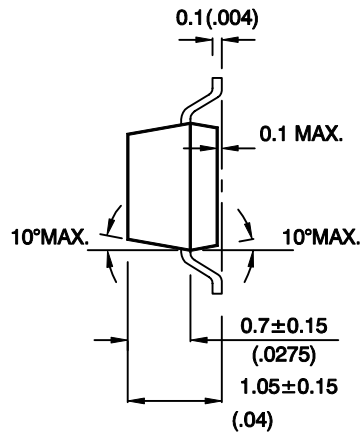
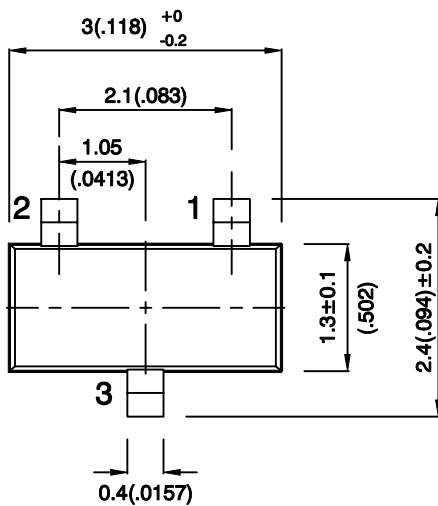


SOT 23 SURFACE MOUNT LED LAMP

KM-23 LOW CURRENT

UNIT : MM(INCH)

TOLERANCE : $\pm 0.25(\pm 0.01)$



- 1. ANODE
- 2. N.C.
- 3. CATHODE

PART NO.	SOURCE (DICE)	LENS TYPE (RESIN)	LUMINOUS INTENSITY MCD @2mA		VIEWING ANGLE $2 \theta_{1/2}$
			MIN.	MAX.	
KM-23LID-F	RED HIGH EFFICIENCY (GaAsP/GaP)	RED DIFFUSED	0.5	1.25	140°

APPROVED:

CHECKED:

SCALE :

12 : 1

DATA NO. : D6198

DATE : 03/03/97