

2-spoke handwheels plastic, with revolving grip

Item description/product images



Description

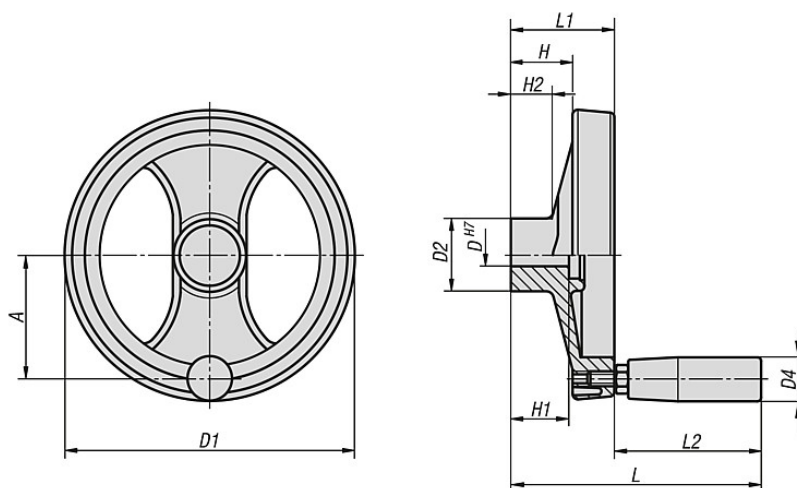
Material, version:

Handwheel reinforced and stabilised polyamide, oil and grease resistant, black (RAL 9011), satin finish. centre plug grey polyamide (RAL 7035 code 13). Bush burnished in steel. Brass threaded insert for grip.

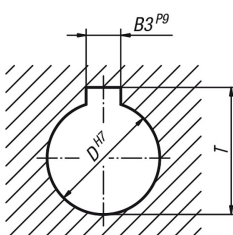
On request:

Other cap colours, special versions.

Drawings



keyway DIN 6885-1



2-spoke handwheels plastic, with revolving grip

Overview of items

Order No. hub without slot	Order No. hub with slot	D	D1	D2	D4	H	H1	H2	A	L	L1	L2	B3	T	Approx. weight kg
K0725.4080X08	K0725.5080X08	8	80	24,5	20	20	20	16	30	85	34	51	-/2	-/9	0,137
K0725.4080X10	K0725.5080X10	10	80	24,5	20	20	20	16	30	85	34	51	-/3	-/11,4	0,136
K0725.4100X10	K0725.5100X10	10	99	28	20	25,5	24	20	38	93	43	51	-/3	-/11,4	0,192
K0725.4100X12	K0725.5100X12	12	99	28	20	25,5	24	20	38	93	43	51	-/4	-/13,8	0,190
K0725.4130X12	K0725.5130X12	12	129	32	23	30	24	21	55	112	50	62	-/3	-/13,8	0,300
K0725.4130X14	K0725.5130X14	14	129	32	23	30	24	21	55	112	50	62	-/5	-/16,3	0,295
K0725.4160X14	K0725.5160X14	14	159	40	23	33	32	22	66	119	57	62	-/5	-/16,3	0,448
K0725.4160X16	K0725.5160X16	16	159	40	23	33	32	22	66	119	57	62	-/5	-/18,3	0,443
K0725.4200X16	K0725.5200X16	16	198	51	26	31	32	17,5	82	141	60	81	-/5	-/18,3	0,738
K0725.4200X20	K0725.5200X20	20	198	51	26	31	32	17,5	82	141	60	81	-/6	-/22,8	0,728
K0725.4250X20	K0725.5250X20	20	252	55,5	27	39,5	36	24	113	163	71	92	-/6	-/22,8	1,028
K0725.4250X24	K0725.5250X24	24	252	55,5	27	39,5	36	24	113	163	71	92	-/8	-/27,3	1,018
K0725.4345X20	K0725.5345X20	20	346	67,5	27	42	32	24	146	171	79	92	-/6	-/22,8	1,668