

2-spoke handwheels plastic

Item description/product images



Description

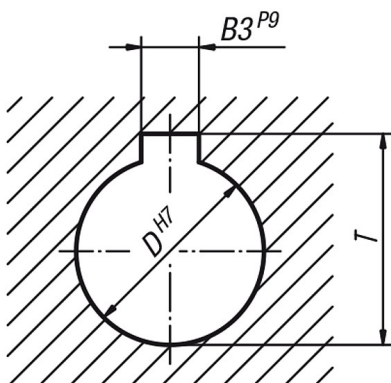
Material, version:

Handwheel reinforced and stabilised polyamide,
oil and grease resistant, black (RAL 9011), satin finish.
Centre plug grey polyamide (RAL 7035 code 13).
Bush burnished steel.

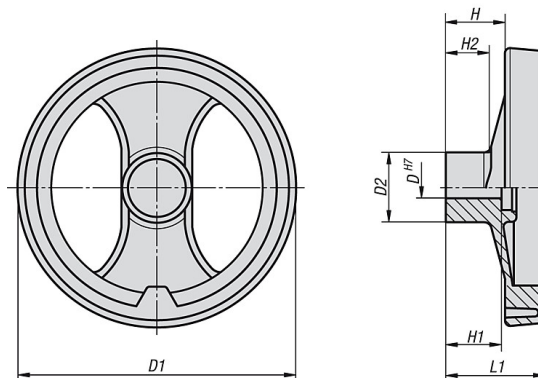
On request:

Other cap colours,
special versions.

keyway DIN 6885-1



Drawings



2-spoke handwheels plastic

Overview of items

Order No. hub without slot	Order No. hub with slot	D	D1	D2	H	H1	H2	L1	B3	T	Approx. weight kg
K0725.0080X08	K0725.1080X08	8	80	24,5	20	20	16	34	-/2	-/9	0,094
K0725.0080X10	K0725.1080X10	10	80	24,5	20	20	16	34	-/3	-/11,4	0,092
K0725.0100X10	K0725.1100X10	10	99	28	25,5	24	20	42	-/3	-/11,4	0,152
K0725.0100X12	K0725.1100X12	12	99	28	25,5	24	20	42	-/4	-/13,8	0,150
K0725.0130X12	K0725.1130X12	12	129	32	30	24	21	50	-/3	-/13,8	0,240
K0725.0130X14	K0725.1130X14	14	129	32	30	24	21	50	-/5	-/16,3	0,237
K0725.0160X14	K0725.1160X14	14	159	40	33	32	22	57	-/5	-/16,3	0,390
K0725.0160X16	K0725.1160X16	16	159	40	33	32	22	57	-/5	-/18,3	0,385
K0725.0200X16	K0725.1200X16	16	198	51	31	32	17,5	60	-/5	-/18,3	0,630
K0725.0200X20	K0725.1200X20	20	198	51	31	32	17,5	60	-/6	-/22,8	0,624
K0725.0250X20	K0725.1250X20	20	252	55,5	39,5	36	24	71	-/6	-/22,8	0,920
K0725.0250X24	K0725.1250X24	24	252	55,5	39,5	36	24	71	-/8	-/27,3	0,910
K0725.0345X20	K0725.1345X20	20	346	67,5	42	32	24	79	-/6	-/22,8	1,520