

Swivel feet round

Item description/product images

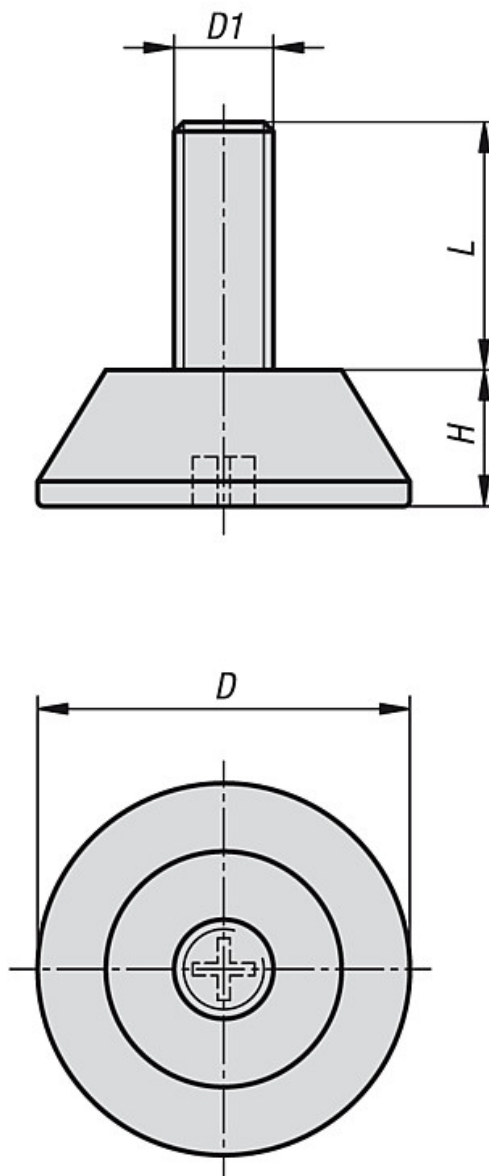


Description

Material, version:
Polyamide, black.
Galvanized steel screw.

Note:
Swivel foot with cross recess in plate base as an assembly aid. Rigid version.

Drawings



Swivel feet round

Overview of items

Round swivel feet

Order No.	D	D1	H	L	Load capacity max. kN (static load only)
K0674.3006X	30	M6	11	20/30	3
K0674.3008X	30	M8	11	16/20/25/30/40	3
K0674.3010X	30	M10	11	25/30/35	3
K0674.4708X	47	M8	11	16/20/30/40	4
K0674.4710X	47	M10	11	20/30/55	4