

## Miniwings

### Item description/product images



### Description

#### Product description:

Technical emotions played an important role while developing these small-sized wing grips. The result is a miniwing that is far more than a means to an end. It is a well-planned operating and working part with finger-specific ergonomics.

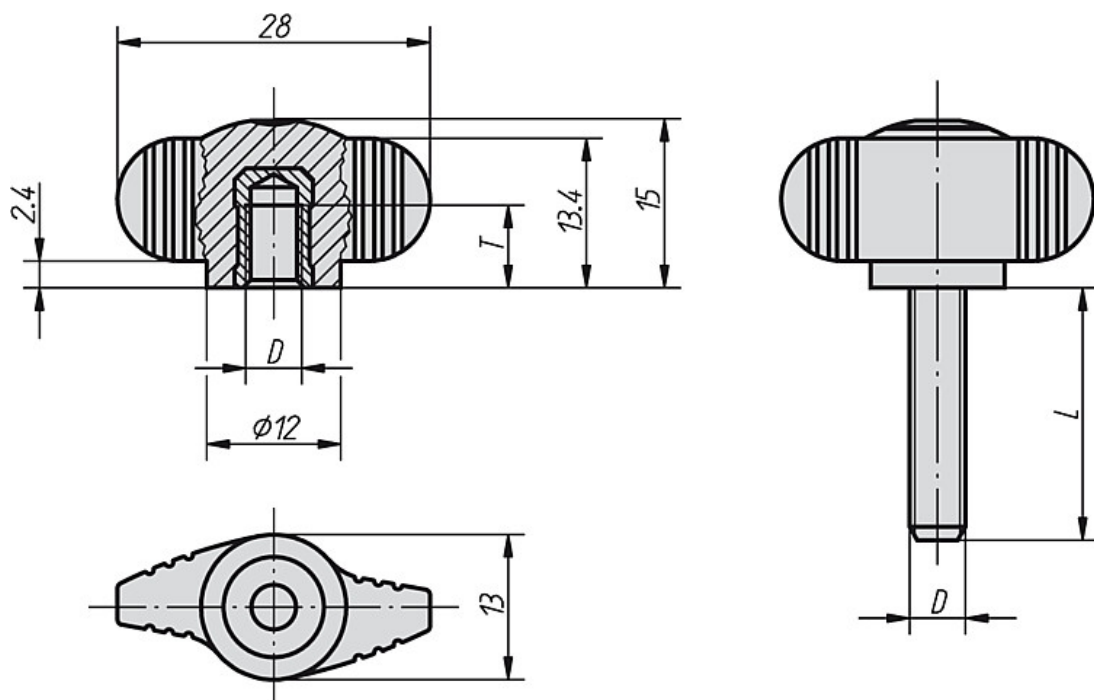
#### Material, version:

Anthracite grey thermoplastic.

Bush in brass or stainless steel 1.4305, natural finish.

Threaded bolt in steel 5.8, blue chromated or stainless steel 1.4305, natural finish.

### Drawings



## Miniwings

### Overview of items

#### Miniwings with internal thread

Order No.	Version	D	T	Approx. weight kg
K0274.004	bush brass	M4	6	0,003
K0274.005	bush brass	M5	7,5	0,004
K0274.006	bush brass	M6	9	0,005
K0274.0004	bush in stainless steel	M4	6	0,003
K0274.0005	bush in stainless steel	M5	7,5	0,004
K0274.0006	bush in stainless steel	M6	9	0,005

#### Miniwings with external thread

Order No.	Version	D	L = screw length
K0274.004X	bolts steel	M4	8
K0274.005X	bolts steel	M5	10/15/20
K0274.006X	bolts steel	M6	10/15/20/25/30
K0274.008X	bolts steel	M8	20/25/30/40
K0274.0004X	bolts stainless steel	M4	8
K0274.0005X	bolts stainless steel	M5	10/15/20
K0274.0006X	bolts stainless steel	M6	10/15/20/25/30
K0274.0008X	bolts stainless steel	M8	20/25/30/40