



Indukcyjne czujniki zbliżeniowe  
Cylindrical threaded housing, IM12

IM12-06BPS-NC1



Nazwa modelu > **IM12-06BPS-NC1**

Numer części > **6027572**



#### At a glance

- Stainless steel housing (316L/1.4404)
- Extremely watertight (IP 68/IP 69K)
- Triple sensing distance
- High resistance to mechanical stress
- Watertight housing suitable for use in hygienic and wash down areas
- Resistant to aggressive cleaning agents
- Visual adjustment indicator via output LED

#### Your benefits

- Less machine downtime due to rugged sensor design
- Cost reduction due to long service life even under the most extreme ambient conditions
- Quick and easy installation due to adjustment indicator via LEDs
- Large operating reserve due to triple operating distance
- High resistance to shock and impact due to stainless steel sensing face
- No restrictions on cleaning agents or processes, ensuring reliable operation



#### Cechy

Budowa:	Cylindryczna
Wymiar gwintu:	M12 x 1
Sensing range Sn:	6 mm
Assured sensing range Sa:	4,86 mm
Instalacja w metalu:	Zabudowana
Częstotliwość przełączania:	600 Hz
Wyjście przełączające:	PNP
Output function:	NO
Electrical wiring:	DC 3-wire
Enclosure rating:	IP 68 <sup>1)</sup> IP 69K
Sposób przyłączenia:	Connector M12, 4-pin

<sup>1)</sup> According to EN 60529

#### Mechanika/elektronika

Napięcie zasilania:	10 V DC ... 30 V DC
Tętnienia resztkowe:	≤ 20 % <sup>1)</sup>

Spadek napięcia:	$\leq 2 \text{ V}^{2)}$
Current consumption:	$\leq 10 \text{ mA}^{3)}$
Czas osiągnięcia dostępności:	$\leq 40 \text{ ms}$
Histereza:	1 % ... 15 %
Odtwarzalność:::	$\leq 5 \%^{4) 5)}$
Przesunięcie cieplne (Sr):	$\leq 10 \%$
Kompatybilność elektromagnetyczna::	Zgodna z EN 60947-5-2
Output current I <sub>a</sub> :	$\leq 200 \text{ mA}$
Zabezpieczenie przed zwarciami:	✓
Zabezpieczenie przed zmianą biegunowości:	✓
Power-up pulse protection:	✓
Shock/vibration:	30 g, 11 ms/10 ... 55 Hz, 1 mm
Ambient operating temperature:	-25 °C ... 85 °C
Tworzywo, obudowa:	Stainless steel, Stainless steel V4A (1.4435, 316L)
Tworzywo, obudowa:	Metal
Długość obudowy:	60 mm
Thread length:	41 mm
Moment dokręcania:	$\leq 20 \text{ Nm}$

1) Of V<sub>S</sub> 2) At I<sub>a</sub> max 3) Bez obciążenia 4) Of Sr 5) UB = 20 V DC ... 30 V DC, TA = 23 °C ± 5 °C

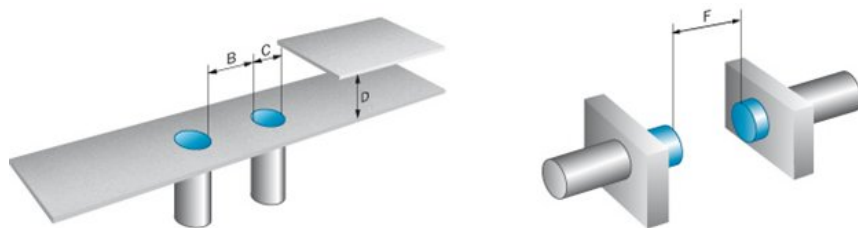
### Współczynniki redukcyjne

Uwaga:	The values are reference values which may vary
Carbon steel St37 (Fe):	Ca. 1
Copper (Cu):	Ca. 0,85
Aluminum (Al):	Ca. 1
Brass (Br):	Ca. 1,3
Stainless steel (V4A, 316L):	Ca. 0,45

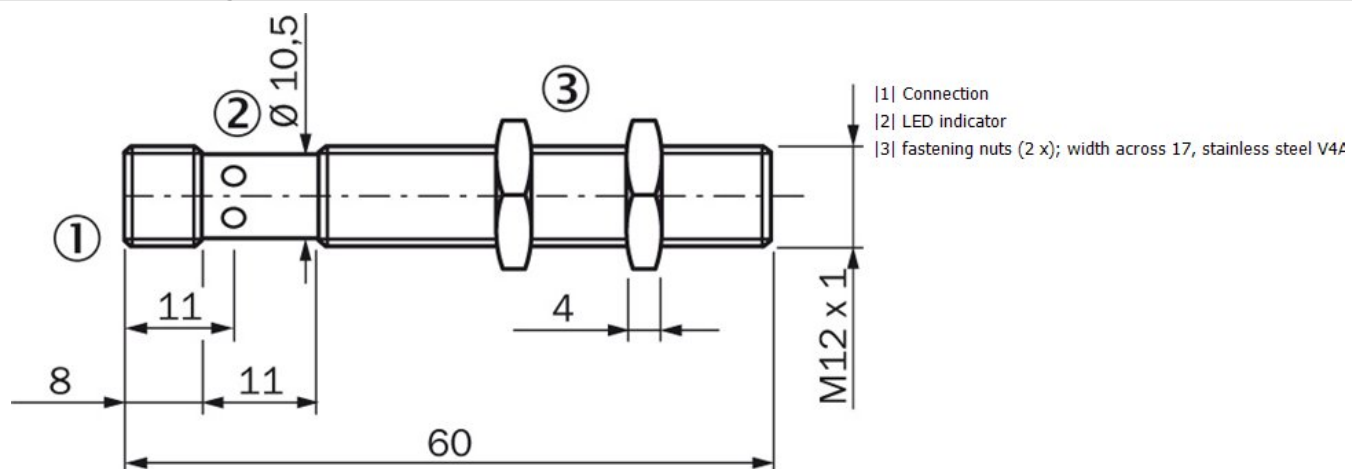
### Instrukcje okrelajace

A:	6 mm
B:	38 mm
C:	12 mm
D:	18 mm
F:	60 mm
Uwaga:	Associated graphic see "Installation"

## Installation note



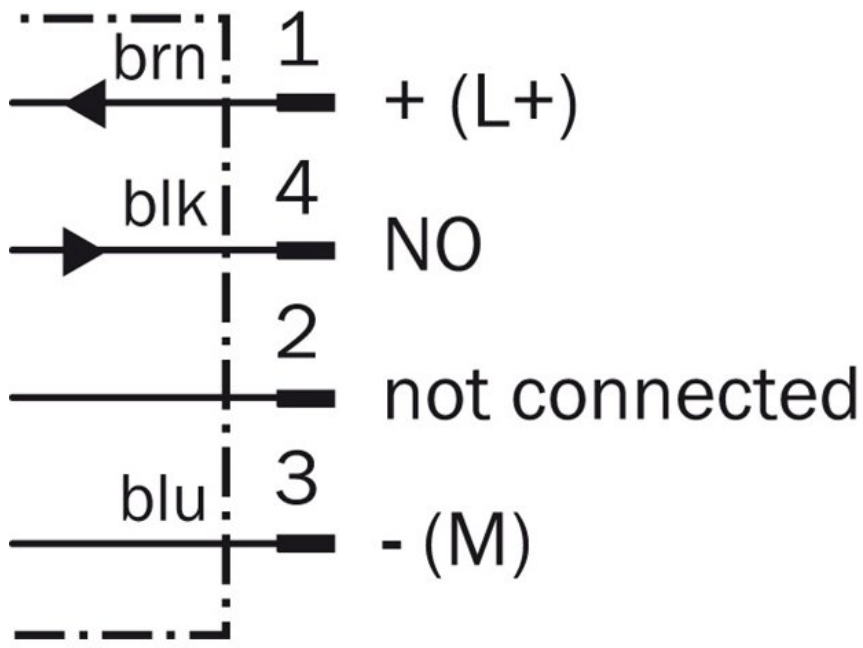
## Dimensional drawing



Alle Maße in mm

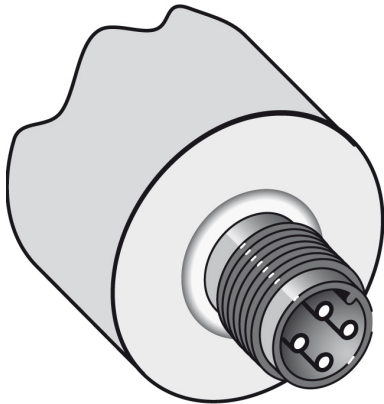
Connection diagram

---



Connection type

---



**Australia**

Phone +61 3 9457 0600  
1800 334 802 – tollfree  
E-Mail sales@sick.com.au

**Belgium/Luxembourg**

Phone +32 (0)2 466 55 66  
E-Mail info@sick.be

**Brasil**

Phone +55 11 3215-4900  
E-Mail sac@sick.com.br

**Canada**

Phone +1 905 771 14 44  
E-Mail information@sick.com

**Ceská Republika**

Phone +420 2 57 91 18 50  
E-Mail sick@sick.cz

**China**

Phone +86 4000 121 000  
E-Mail info.china@sick.net.cn  
Phone +852-2153 6300  
E-Mail ghk@sick.com.hk

**Danmark**

Phone +45 45 82 64 00  
E-Mail sick@sick.dk

**Deutschland**

Phone +49 211 5301-301  
E-Mail kundenservice@sick.de

**España**

Phone +34 93 480 31 00  
E-Mail info@sick.es

**France**

Phone +33 1 64 62 35 00  
E-Mail info@sick.fr

**Great Britain**

Phone +44 (0)1727 831121  
E-Mail info@sick.co.uk

**India**

Phone +91-22-4033 8333  
E-Mail info@sick-india.com

**Israel**

Phone +972-4-6801000  
E-Mail info@sick-sensors.com

**Italia**

Phone +39 02 27 43 41  
E-Mail info@sick.it

**Japan**

Phone +81 (0)3 3358 1341  
E-Mail support@sick.jp

**Magyarország**

Phone +36 1 371 2680  
E-Mail office@sick.hu

**Nederlands**

Phone +31 (0)30 229 25 44  
E-Mail info@sick.nl

**Norge**

Phone +47 67 81 50 00  
E-Mail austefjord@sick.no

**Österreich**

Phone +43 (0)22 36 62 28 8-0  
E-Mail office@sick.at

**Polska**

Phone +48 22 837 40 50  
E-Mail info@sick.pl

**România**

Phone +40 356 171 120  
E-Mail office@sick.ro

**Russia**

Phone +7-495-775-05-30  
E-Mail info@sick.ru

**Schweiz**

Phone +41 41 619 29 39  
E-Mail contact@sick.ch

**Singapore**

Phone +65 6744 3732  
E-Mail admin@sicksgp.com.sg

**Slovenija**

Phone +386 (0)1-47 69 990  
E-Mail office@sick.si

**South Africa**

Phone +27 11 472 3733  
E-Mail info@sickautomation.co.za

**South Korea**

Phone +82 2 786 6321/4  
E-Mail info@sickkorea.net

**Suomi**

Phone +358-9-25 15 800  
E-Mail sick@sick.fi

**Sverige**

Phone +46 10 110 10 00  
E-Mail info@sick.se

**Taiwan**

Phone +886-2-2375-6288  
E-Mail sales@sick.com.tw

**Türkiye**

Phone +90 (216) 528 50 00  
E-Mail info@sick.com.tr

**United Arab Emirates**

Phone +971 (0) 4 8865 878  
E-Mail info@sick.ae

**USA/México**

Phone +1(952) 941-6780  
1 800-325-7425 – tollfree  
E-Mail info@sickusa.com

More representatives and agencies  
at [www.sick.com](http://www.sick.com)