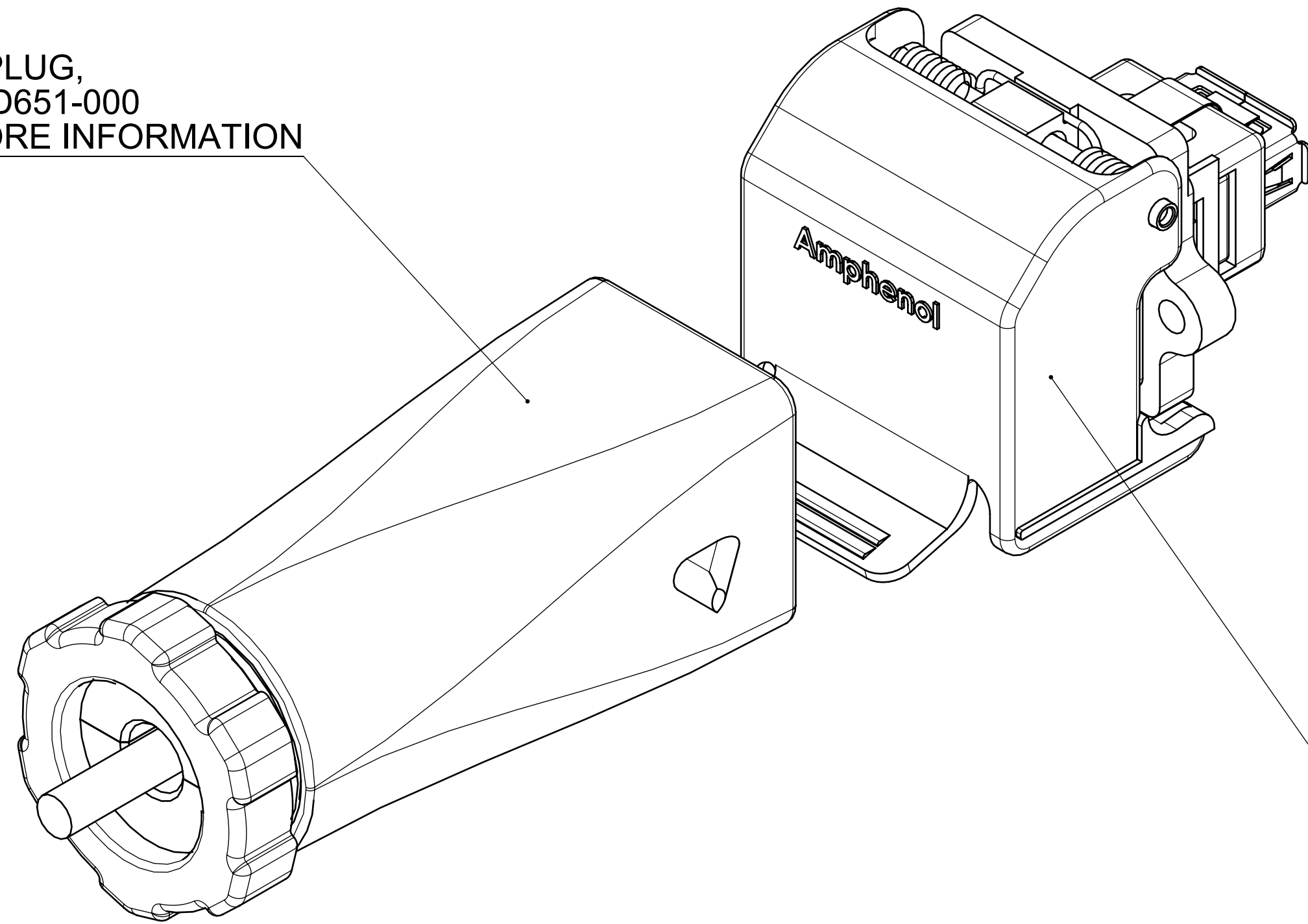


REV	DESCRIPT	DATE	APPRVD

USB-A PLUG,
SEE P-ID651-000
FOR MORE INFORMATION



USB-A RECEPTACLE,
SEE P-ID451-000
FOR MORE INFORMATION

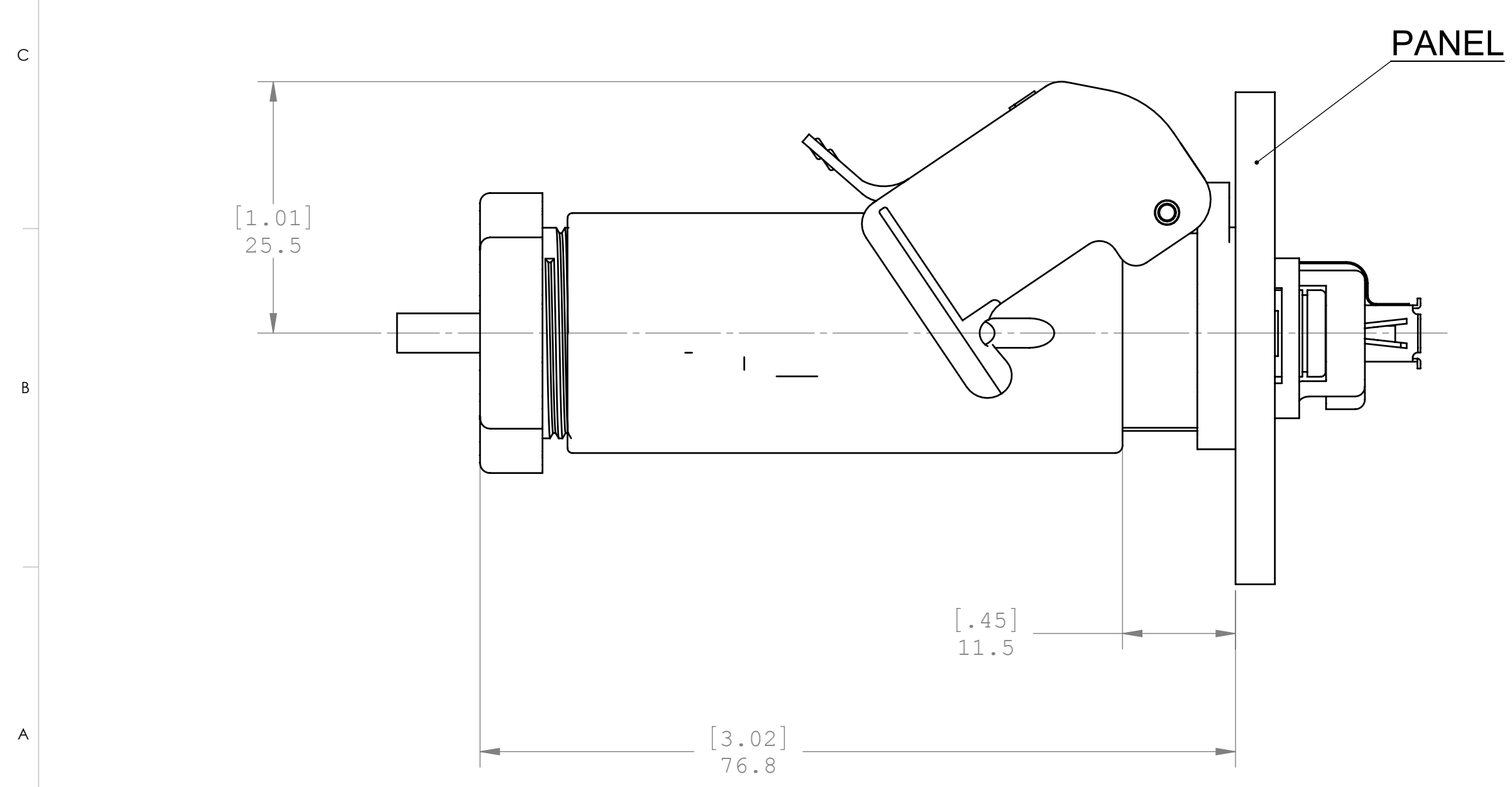
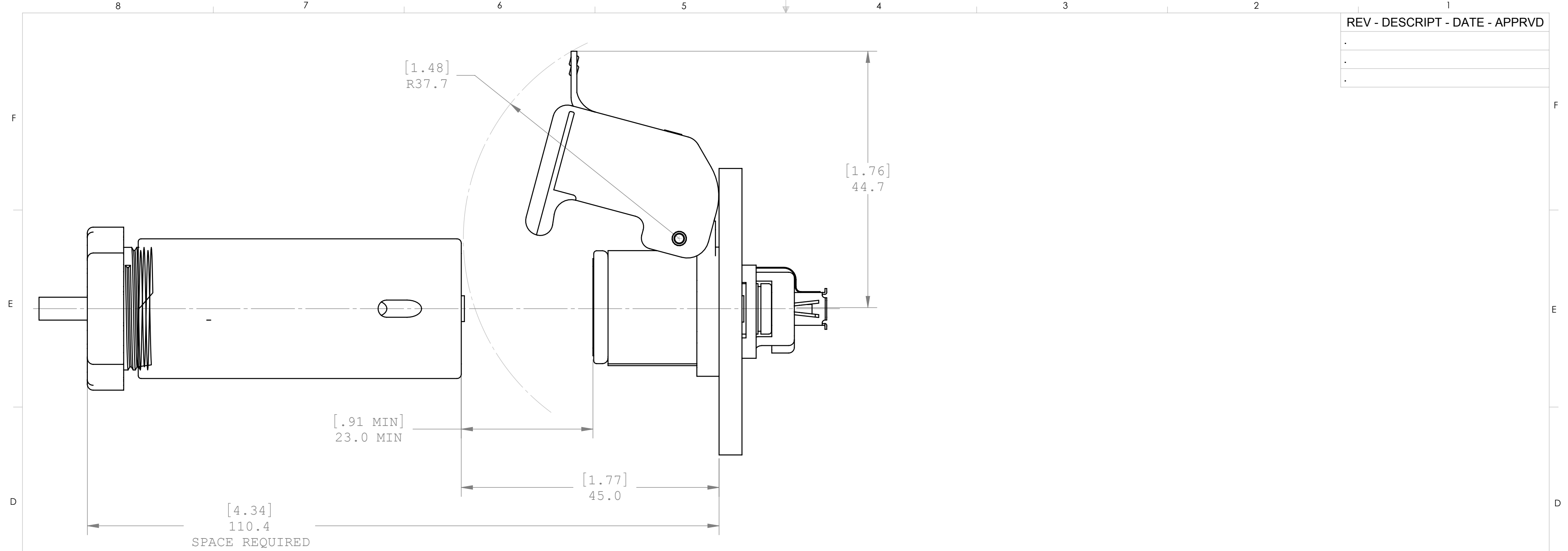
NOTES:

1. OPERATING TEMPERATURE: -40°C TO +85°C.
2. ENVIROMENT PERFORMANCE: IP67.
3. CONNECTOR IS ROHS COMPLIANT PER EU DIRECTIVE 2002/95/EC AND AMENDMENTS.
4. PART NUMBER FOR ORDER IS ID751-000.



UNLESS OTHERWISE SPECIFIED DIMENSIONS ARE IN MILLIMETER TOLERANCES ARE:		APPROVALS	DATE	Amphenol Canada Corp.	
DECIMALS	ANGLES	DRAWN			
.XX ± .10	± 1°	S.SEMENOV	FEB16/07	TITLE USB A RECEPTACLE AND PLUG	
.X ± .25		DESIGNED			
MATERIAL AND FINISH		S.SEMENOV	FEB16/07	SIZE C	
		CHECKED			
		QA APP'D		DWG. NO. P-ID751-000	
		IE APP'D			
REF.		DWG APP'D		SCALE 2.5:1	
		A.GREEN	FEB16/07		
CODE IDENT. NO.				PROJECT ID	SHEET 1 OF 2

DO NOT SCALE DRAWING
THIS DOCUMENT CONTAINS PROPRIETARY INFORMATION AND SUCH INFORMATION MAY NOT BE DISCLOSED TO OTHERS FOR ANY PURPOSE OR USED FOR MANUFACTURING PURPOSES WITHOUT PERMISSION FROM AMPHENOL CANADA CORP.



UNLESS OTHERWISE SPECIFIED DIMENSIONS ARE IN MILLIMETER TOLERANCES ARE: DECIMALS ANGLES .XX ± .10 ± 1° .X ± .25	APPROVALS	DATE	Amphenol Canada Corp.		
	DRAWN S.SEMENOV	FEB16/07			
	DESIGNED S.SEMENOV	FEB16/07	TITLE USB A RECEPTACLE AND PLUG		
	CHECKED				
	MATERIAL AND FINISH	QA APP'D		SIZE C	DWG. NO. P-ID751-000
REF.	IE APP'D		SCALE 2:1	PROJECT ID	SHEET 2 OF 2
CODE IDENT. NO.	DWG APP'D A.GREEN	FEB16/07			

DO NOT SCALE DRAWING
THIS DOCUMENT CONTAINS PROPRIETARY INFORMATION AND SUCH INFORMATION MAY NOT BE DISCLOSED TO OTHERS FOR ANY PURPOSE OR USED FOR MANUFACTURING PURPOSES WITHOUT PERMISSION FROM AMPHENOL CANADA CORP.