

## Data Sheet



Lead (Pb) Free  
RoHS 6 fully  
compliant



### Description

Avago Power PLCC-4 is an extension of our PLCC-2 SMT LEDs. The package can be driven at higher current due to its superior package design. The product is able to dissipate heat more efficiently compared to the conventional PLCC-2 SMT LEDs. In proportion to the increase in driving current, this family of LEDs is able to produce higher light output compared to the conventional PLCC-2 SMT LEDs.

These SMT LEDs have higher reliability and better performance and are designed to work under a wide range of environmental conditions. This higher reliability makes them suitable for use under harsh environment and conditions like automotive. In addition, they are also suitable to be used in electronic signs and signals.

To facilitate easy pick and place assembly, the LEDs are packed in EIA-compliant tape and reel. Every reel will be shipped in single intensity and color bin (except for red color), to provide close uniformity.

These LEDs are compatible with IR solder reflow process. Due to the high reliability feature of these products, they also can be mounted using through-the-wave soldering process.

There are a variety of colors and various viewing angles (30°, 60° and 120°) available in these SMT LEDs. Ideally, the 30° parts are suitable for light piping where focused intensities are required. As for the 60° and 120°, they are most suitable for automotive interior and exterior lighting and electronic signs applications.

### Features

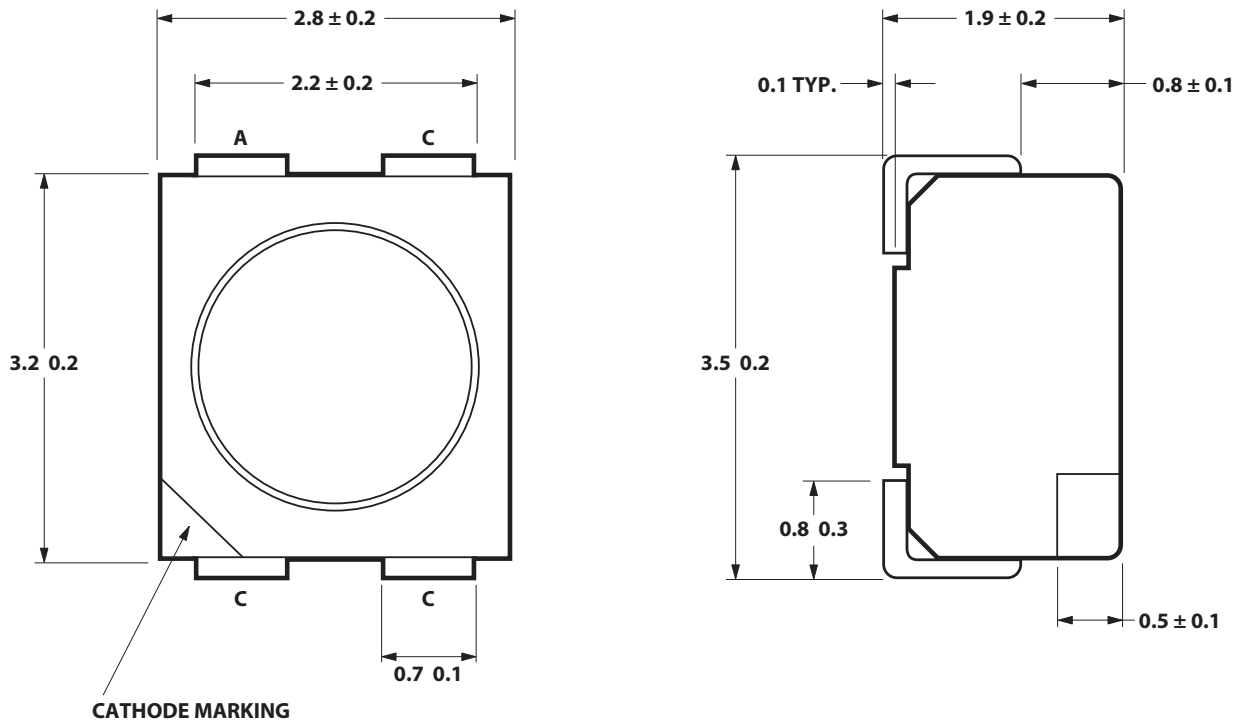
- Industry standard PLCC-4
- High reliability LED package
- High brightness using AlInGaP and InGaN dice technologies
- High optical efficiency
- Higher ambient temperature at the same current possible compared to PLCC-2
- Available in full selection of colors
- Super wide viewing angle at 120°
- Available in 8mm carrier tape on 7-inch reel
- Compatible with both IR and TTW soldering process
- JEDEC MSL 2a
- High reliability LED package due to enhanced silicone resin material for InGaN family

### Applications

- Interior automotive
  - Instrument panel backlighting
  - Central console backlighting
  - Cabin backlighting
  - Navigation and audio system
  - Dome lighting
  - Push button backlighting
- Exterior automotive
  - Turn signals
  - CHMSL
  - Rear combination lamp
  - Puddle light
- Electronic signs and signals
  - Interior full color sign
  - Variable message sign
- Office automation, home appliances, industrial equipment
  - Front panel backlighting
  - Push button backlighting
  - Display backlighting

**CAUTION:** HSMN-, HSMK-, HSMm-A40x-xxxxx LEDs are Class 2 ESD sensitive. Please observe appropriate precautions during handling and processing. Refer to Avago Application Note AN-1142 for additional details.

## Package Dimensions



**NOTES:**  
**ALL DIMENSIONS IN mm.**  
**ELECTRICAL CONNECTION BETWEEN ALL CATHODES IS RECOMMENDED.**

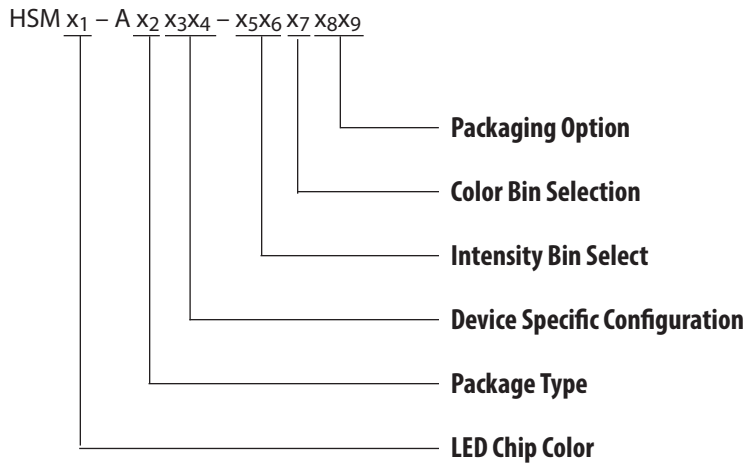
## Device Selection Guide

| Color         | Part Number     | Min. $I_V$ (mcd) | Max. $I_V$ (mcd) | Test Current (mA) | Dice Technology |
|---------------|-----------------|------------------|------------------|-------------------|-----------------|
| Red           | HSMC-A400-S30M1 | 180.00           | 355.00           | 50                | AllInGaP        |
|               | HSMC-A401-U80M1 | 560.00           | 1400.00          | 50                | AllInGaP        |
| Red Orange    | HSMJ-A401-T40M1 | 285.00           | 715.00           | 50                | AllInGaP        |
|               | HSMJ-A401-U40M1 | 450.00           | 1125.00          | 50                | AllInGaP        |
| Orange        | HSML-A401-U40M1 | 450.00           | 1125.00          | 50                | AllInGaP        |
| Amber         | HSMA-A401-U45M1 | 450.00           | 1125.00          | 50                | AllInGaP        |
| Emerald Green | HSME-A401-P4PM1 | 45.00            | 112.50           | 50                | AllInGaP        |
| Blue          | HSMN-A400-S8QM2 | 224.00           | 560.00           | 30                | InGaN           |
|               | HSMN-A400-S8PM2 | 224.00           | 560.00           | 30                | InGaN           |
|               | HSMN-A400-S4QM2 | 180.00           | 450.00           | 30                | InGaN           |
| Green         | HSMM-A400-U4QM2 | 450.00           | 1125.00          | 30                | InGaN           |
|               | HSMM-A400-V8QM2 | 900.00           | 2240.00          | 30                | InGaN           |

**Notes:**

1. The luminous intensity  $I_V$  is measured at the mechanical axis of the lamp package. The actual peak of the spatial radiation pattern may not be aligned with this axis.
2.  $I_V$  tolerance =  $\pm 12\%$ .

## Part Numbering System



## Absolute Maximum Ratings (T<sub>A</sub> = 25°C)

| Parameters                          | HSMC/J/L/A/E           | HSMZ/V/U               | HSMK/K/N |
|-------------------------------------|------------------------|------------------------|----------|
| DC Forward Current <sup>[1]</sup>   | 70 mA <sup>[3,4]</sup> | 70 mA <sup>[3,4]</sup> | 30 mA    |
| Peak Forward Current <sup>[2]</sup> | 200 mA                 | 200 mA                 | 90 mA    |
| Power Dissipation                   | 180 mW                 | 240 mW                 | 114 mW   |
| Reverse Voltage                     |                        | 5 V                    |          |
| Junction Temperature                |                        | 110°C                  |          |
| Operating Temperature               |                        | -40°C to +100°C        |          |
| Storage Temperature                 |                        | -40°C to +100°C        |          |

### Notes:

1. Derate linearly as shown in figure 5.
2. Duty factor = 10%, Frequency = 1 kHz.
3. Drive current between 10 mA and 70 mA is recommended for best long-term performance.
4. Operation at currents below 5 mA is not recommended.

## Optical Characteristics ( $T_A = 25^\circ\text{C}$ )

| Color         | Part Number | Peak Wavelength<br>$\lambda_{\text{PEAK}}$ (nm)<br>Typ. | Dominant Wavelength<br>$\lambda_D$ <sup>[1]</sup> (nm)<br>Typ. | Viewing Angle<br>$2\theta_{1/2}$ <sup>[2]</sup> (Degrees)<br>Typ. | Luminous Efficacy $\eta_v$ <sup>[3]</sup><br>(lm/W)<br>Typ. | Luminous Intensity/<br>Total Flux<br>$I_v$ (mcd)/ $\Phi_v$ (mlm)<br>Typ. |
|---------------|-------------|---|--|---|---|--|
| Red           | HSMC        | 635   | 626  | 120   | 150   | 0.45   |
|               | HSMZ        | 639   | 630  | 120   | 155   | 0.45   |
| Red Orange    | HSMJ        | 621   | 615  | 120   | 240   | 0.45   |
|               | HSMV        | 623   | 617  | 120   | 263   | 0.45   |
| Orange        | HSML        | 609   | 605  | 120   | 320   | 0.45   |
| Amber         | HSMA        | 592   | 590  | 120   | 480   | 0.45   |
|               | HSMU        | 594   | 592  | 120   | 500   | 0.45   |
| Yellow Green  | HSME        | 576   | 575  | 120   | 560   | 0.45   |
| Emerald Green | HSME        | 568   | 567  | 120   | 610   | 0.45   |
| Green         | HSMM        | 518   | 525  | 120   | 500   | 0.45   |
| Cyan          | HSMK        | 502   | 505  | 120   | 300   | 0.45   |
| Blue          | HSMN        | 468   | 470  | 120   | 75  | 0.45   |

### Notes:

1. The dominant wavelength,  $\lambda_D$ , is derived from the CIE Chromaticity Diagram and represents the color of the device.
2.  $\theta_{1/2}$  is the off-axis angle where the luminous intensity is 1/2 the peak intensity.
3. Radiant intensity,  $I_e$  in watts/steradian, may be calculated from the equation  $I_e = I_v/\eta_v$ , where  $I_v$  is the luminous intensity in candelas and  $\eta_v$  is the luminous efficacy in lumens/watt.

## Electrical Characteristics ( $T_A = 25^\circ\text{C}$ )

| Part Number  | Forward Voltage<br>$V_F$ (Volts) @ $I_F = 50$ mA |      | Reverse Voltage<br>$V_R$ @ 100 $\mu\text{A}$ |
|--------------|--|------|--|
|              | Typ.   | Max. | Min.   |
| HSMC/J/L/A/E | 2.2  | 2.5  | 5  |
| HSMZ/V/U     | 2.8  | 3.4  | 5  |

| Part Number | Forward Voltage<br>$V_F$ (Volts) @ $I_F = 30$ mA |      | Reverse Voltage<br>$V_R$ @ 10 $\mu\text{A}$ |
|-------------|--|------|---|
|             | Typ.   | Max. | Min.  |
| HSMM/K/N    | 3.8  | 4.6  | 5   |

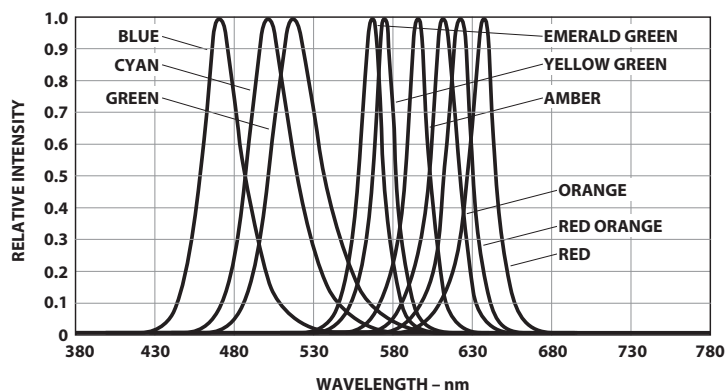


Figure 1. Relative intensity vs. wavelength

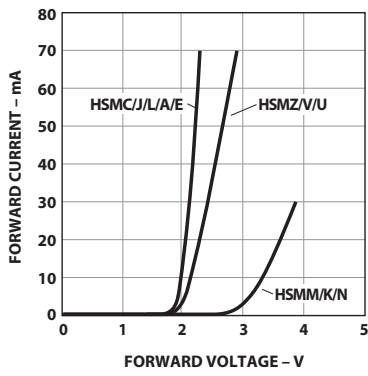


Figure 2. Forward current vs. forward voltage

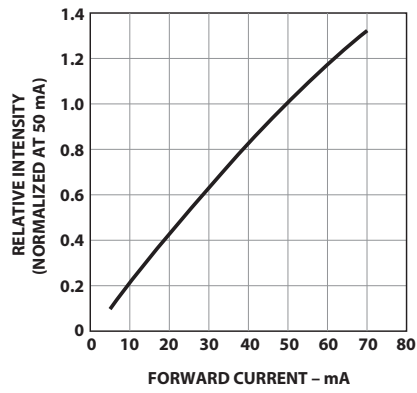


Figure 3. Relative intensity vs. forward current (AlInGaP)

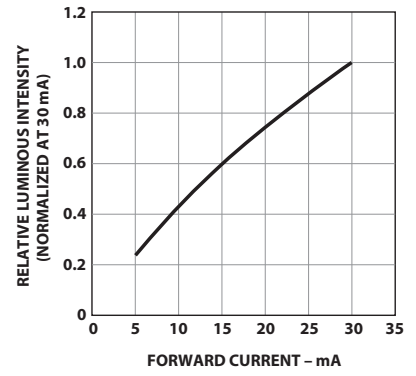


Figure 4. Relative intensity vs. forward current (InGaN)

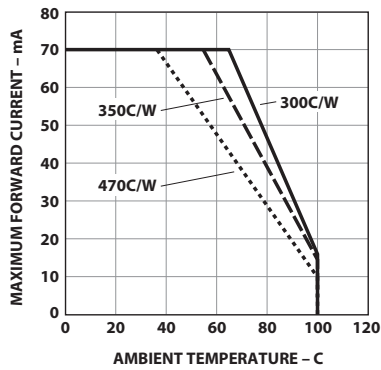


Figure 5a. Maximum forward current vs. ambient temperature, derated based on  $T_{jmax} = 110^{\circ}\text{C}$  (AlInGaP)

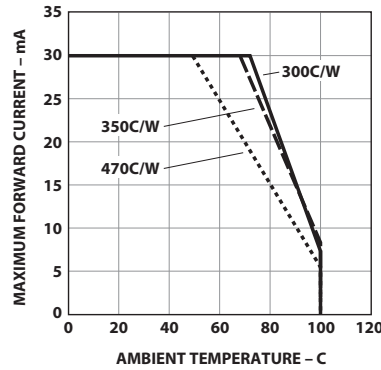


Figure 5b. Maximum forward current vs. ambient temperature, derated based on  $T_{jmax} = 110^{\circ}\text{C}$  (InGaN)

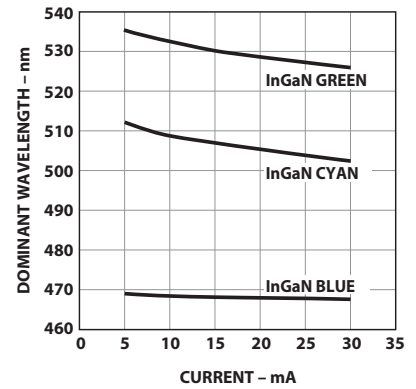


Figure 6. Dominant wavelength vs. forward current - InGaN devices

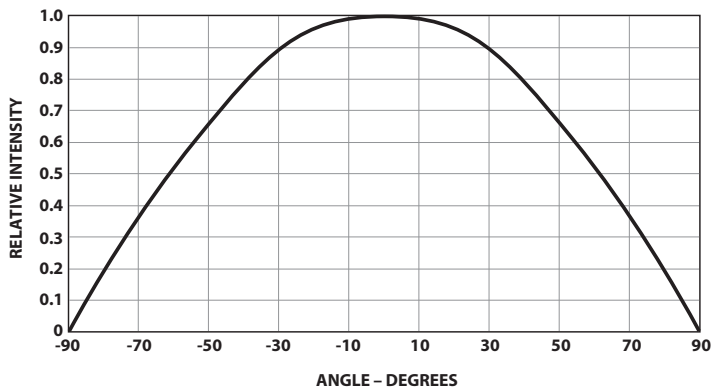


Figure 7. Radiation pattern

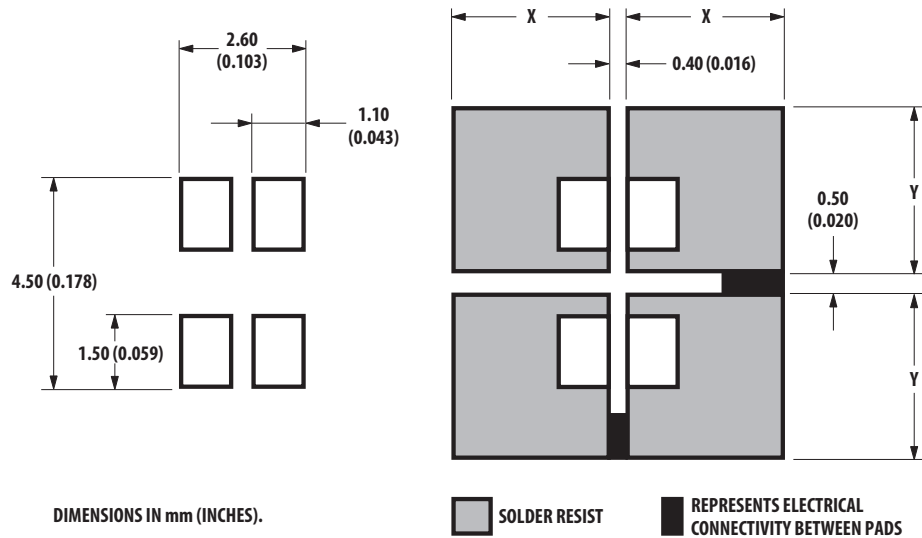
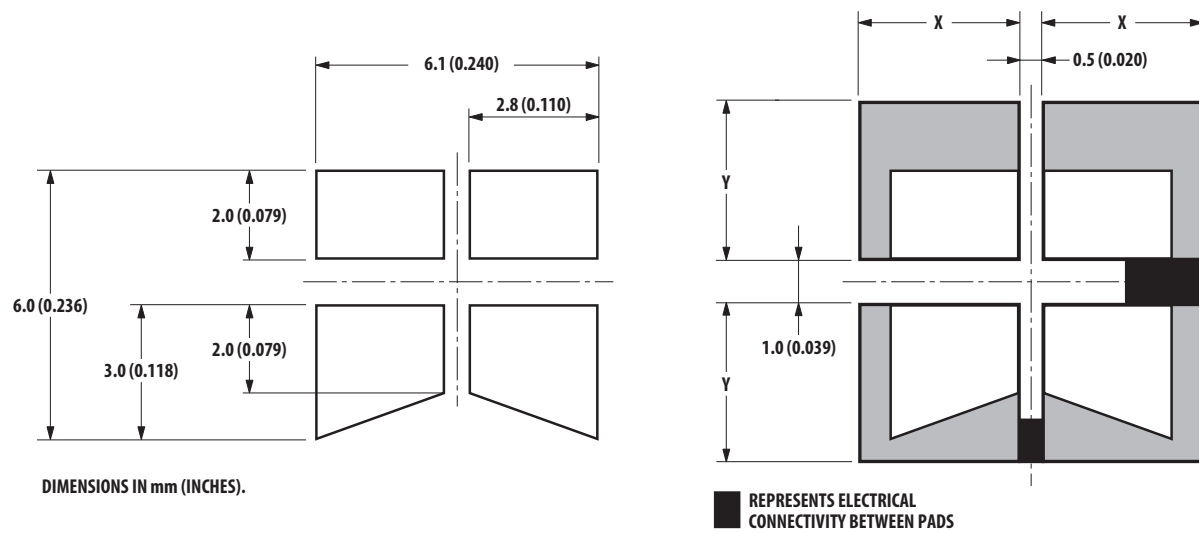


Figure 8a. Recommended soldering pad pattern



| Thermal Resistance | Solder Pad Area (xy) |
|--------------------|----------------------|
| 300°C/W            | >16 mm <sup>2</sup>  |
| 350°C/W            | >12 mm <sup>2</sup>  |
| 470°C/W            | >8 mm <sup>2</sup>   |

Figure 8b. Recommended soldering pad pattern (TTW)

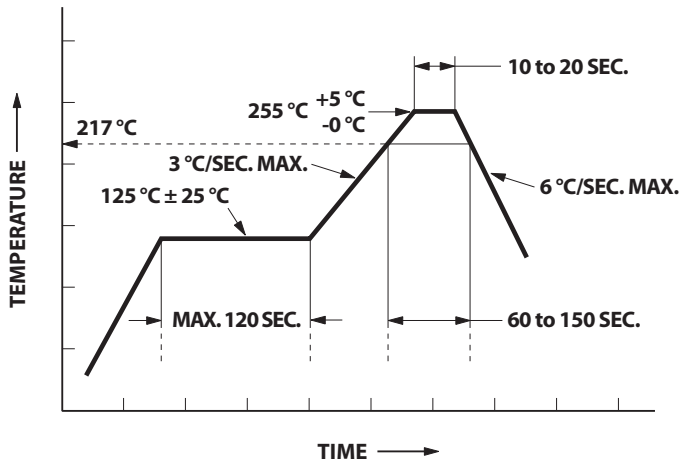


Figure 9. Recommended Pb-free reflow soldering profile.

**Note:** For detailed information on reflow soldering of Avago surface mount LEDs, refer to Avago Application Note AN 1060 *Surface Mounting SMT LED Indicator Components*.

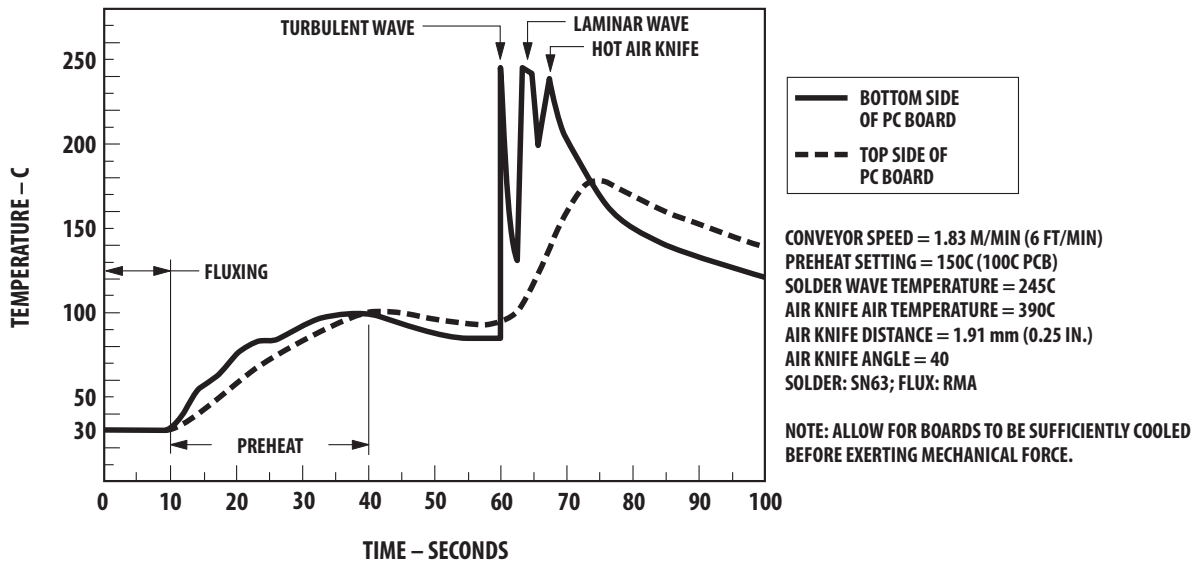


Figure 10. Recommended wave soldering profile

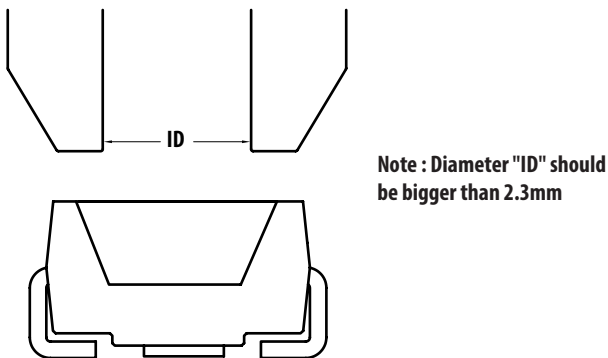


Figure 11. Recommended Pick and Place Nozzle Size for InGaN Family

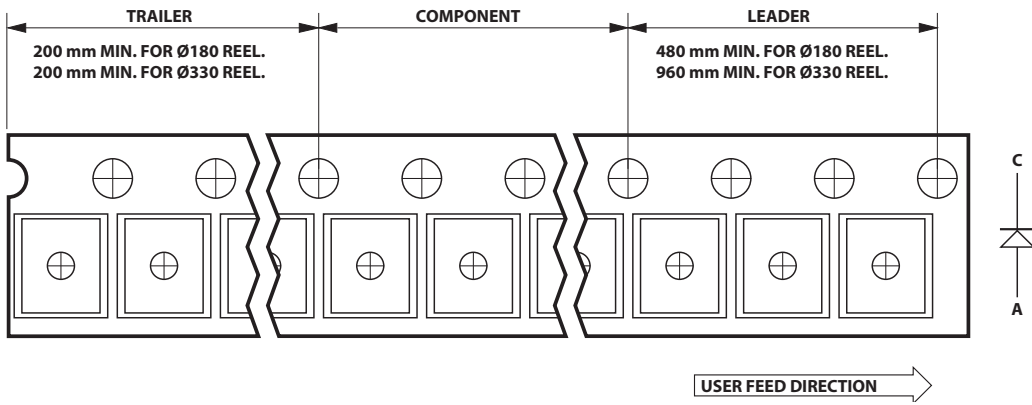


Figure 12. Tape leader and trailer dimensions

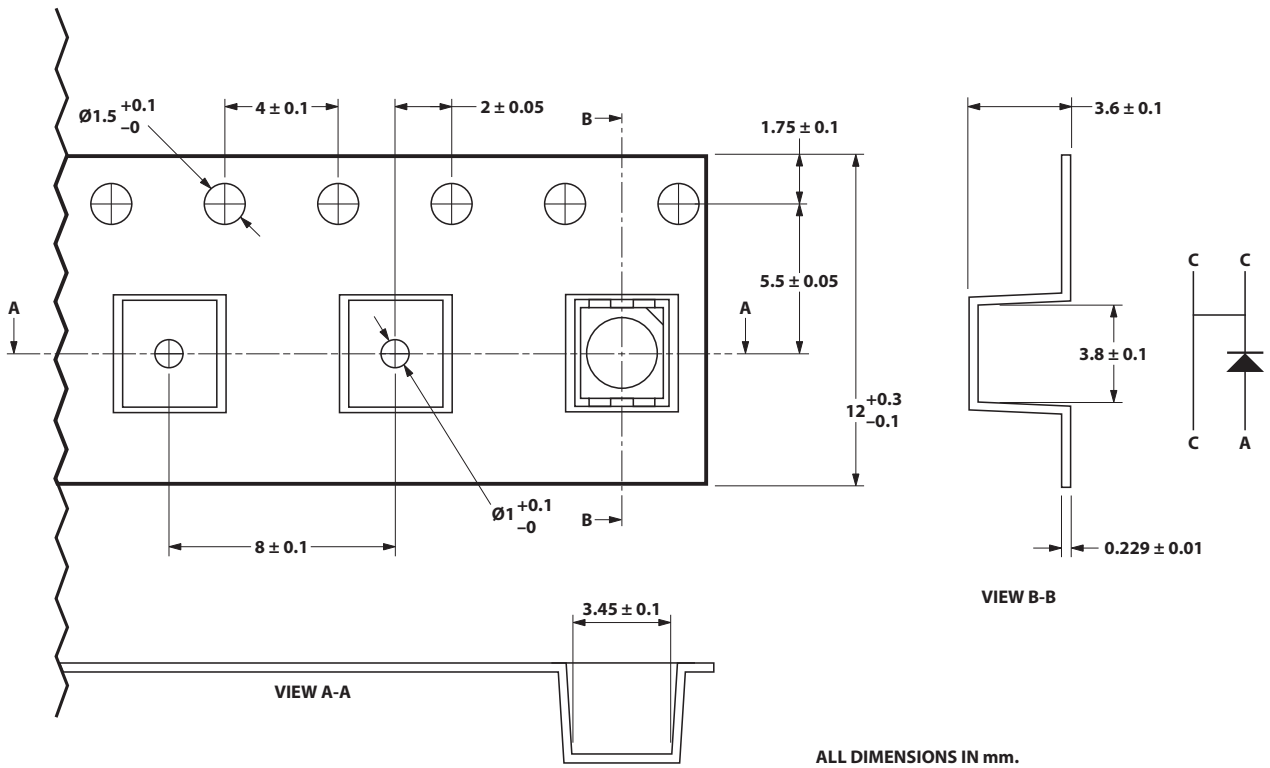


Figure 13. Tape dimensions

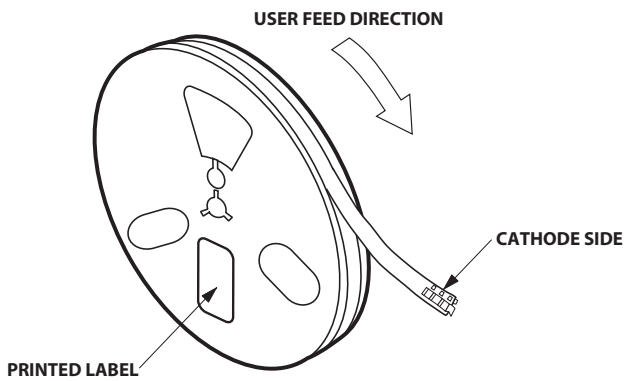


Figure 14. Reeling orientation



### Intensity Bin Select (X<sub>5</sub>X<sub>6</sub>)

Individual reel will contain parts from one half bin only.

| X <sub>5</sub> | Min. lv Bin                                |
|----------------|--|
| X <sub>6</sub> |  |
| 0              | Full Distribution                          |
| 2              | 2 half bins starting from X <sub>5</sub> 1 |
| 3              | 3 half bins starting from X <sub>5</sub> 1 |
| 4              | 4 half bins starting from X <sub>5</sub> 1 |
| 5              | 5 half bins starting from X <sub>5</sub> 1 |
| 6              | 2 half bins starting from X <sub>5</sub> 2 |
| 7              | 3 half bins starting from X <sub>5</sub> 2 |
| 8              | 4 half bins starting from X <sub>5</sub> 2 |
| 9              | 5 half bins starting from X <sub>5</sub> 2 |

### Intensity Bin Limits

| Bin ID | Min. (mcd) | Max. (mcd) |
|--------|------------|------------|
| N1     | 28.50      | 35.50      |
| N2     | 35.50      | 45.00      |
| P1     | 45.00      | 56.00      |
| P2     | 56.00      | 71.50      |
| Q1     | 71.50      | 90.00      |
| Q2     | 90.00      | 112.50     |
| R1     | 112.50     | 140.00     |
| R2     | 140.00     | 180.00     |
| S1     | 180.00     | 224.00     |
| S2     | 224.00     | 285.00     |
| T1     | 285.00     | 355.00     |
| T2     | 355.00     | 450.00     |
| U1     | 450.00     | 560.00     |
| U2     | 560.00     | 715.00     |
| V1     | 715.00     | 900.00     |
| V2     | 900.00     | 1125.00    |
| W1     | 1125.00    | 1400.00    |
| W2     | 1400.00    | 1800.00    |
| X1     | 1800.00    | 2240.00    |
| X2     | 2240.00    | 2850.00    |

Tolerance of each bin limit = ± 12%

### Color Bin Select (X<sub>7</sub>)

Individual reel will contain parts from one full bin only.

| X <sub>7</sub> |                       |
|----------------|-----------------------|
| 0              | Full Distribution     |
| Z              | A and B only          |
| Y              | B and C only          |
| W              | C and D only          |
| V              | D and E only          |
| U              | E and F only          |
| T              | F and G only          |
| S              | G and H only          |
| Q              | A, B and C only       |
| P              | B, C and D only       |
| N              | C, D and E only       |
| M              | D, E and F only       |
| L              | E, F and G only       |
| K              | F, G and H only       |
| 1              | A, B, C and D only    |
| 2              | E, F, G and H only    |
| 3              | B, C, D and E only    |
| 4              | C, D, E and F only    |
| 5              | A, B, C, D and E only |
| 6              | B, C, D, E and F only |

### Color Bin Limits

| Blue | Min. (nm) | Max. (nm) |
|------|-----------|-----------|
| A    | 460.0     | 465.0     |
| B    | 465.0     | 470.0     |
| C    | 470.0     | 475.0     |
| D    | 475.0     | 480.0     |

| Cyan | Min. (nm) | Max. (nm) |
|------|-----------|-----------|
| A    | 490.0     | 495.0     |
| B    | 495.0     | 500.0     |
| C    | 500.0     | 505.0     |
| D    | 505.0     | 510.0     |

| Green | Min. (nm) | Max. (nm) |
|-------|-----------|-----------|
| A     | 515.0     | 520.0     |
| B     | 520.0     | 525.0     |
| C     | 525.0     | 530.0     |
| D     | 530.0     | 535.0     |

| Emerald Green | Min. (nm) | Max. (nm) |
|---------------|-----------|-----------|
| A             | 552.5     | 555.5     |
| B             | 555.5     | 558.5     |
| C             | 558.5     | 561.5     |
| D             | 561.5     | 564.5     |

| Yellow Green | Min. (nm) | Max. (nm) |
|--------------|-----------|-----------|
| E            | 564.5     | 567.5     |
| F            | 567.5     | 570.5     |
| G            | 570.5     | 573.5     |
| H            | 573.5     | 576.5     |

| Amber/<br>Yellow | Min. (nm) | Max. (nm) |
|------------------|-----------|-----------|
| A                | 582.0     | 584.5     |
| B                | 584.5     | 587.0     |
| C                | 587.0     | 589.5     |
| D                | 589.5     | 592.0     |
| E                | 592.0     | 594.5     |
| F                | 594.5     | 597.0     |

### Color Bin Limits

| Orange | Min. (nm) | Max. (nm) |
|--------|-----------|-----------|
| A      | 597.0     | 600.0     |
| B      | 600.0     | 603.0     |
| C      | 603.0     | 606.0     |
| D      | 606.0     | 609.0     |
| E      | 609.0     | 612.0     |

| Red Orange | Min. (nm) | Max. (nm) |
|------------|-----------|-----------|
| A          | 611.0     | 616.0     |
| B          | 616.0     | 620.0     |

| Red | Min. (nm) | Max. (nm) |
|-----|-----------|-----------|
|-----|-----------|-----------|

Full Distribution

Tolerance of each bin limit =  $\pm 1$  nm

### Packaging Option (X8X9)

| Option | Test Current | Package Type | Reel Size |
|--------|--------------|--------------|-----------|
| M1     | 50 mA        | Top Mount    | 7 inch    |
| M2     | 30 mA        | Top Mount    | 7 inch    |

### Forward Voltage Bin Table

For HSMZ/V/U – A4xx-xxxxx only

| BIN | MIN. | MAX. |
|-----|------|------|
| VA  | 1.9  | 2.2  |
| VB  | 2.2  | 2.5  |
| VC  | 2.5  | 2.8  |
| VD  | 2.8  | 3.1  |
| VE  | 3.1  | 3.4  |

Tolerance of each bin limit =  $\pm 0.1$

## Moisture Sensitivity

This product is qualified as Moisture Sensitive Level 2a per JEDEC J-STD-020. Precaution when handling this moisture sensitive product is important to ensure the reliability of the product. Refer to Avago Application Note AN 5305 Handling of Moisture Sensitive Surface Mount Devices for details.

### A. Storage before use

- Unopen moisture barrier bag (MBB) can be stored at <math>40^{\circ}\text{C}/90\% \text{ RH}</math> for 12 months. If the actual shelf life has exceeded 12 months and the HIC indicates that baking is not required, then it is safe to reflow the LEDs per the original MSL rating.
- It is not recommended to open the MBB prior to assembly (e.g., for IQC).

### B. Control after opening the MBB

- The humidity indicator card (HIC) shall be read immediately upon opening of MBB.
- The LEDs must be kept at <math>30^{\circ}\text{C}/60\% \text{ RH}</math> at all times and all high temperature related processes, including soldering, curing or rework, need to be completed within 672 hours.

### C. Control of unfinished reel

- Unused LEDs need to be stored in sealed MBB with desiccant or in desiccator at <math>5\% \text{ RH}</math>.

### D. Control of assembled boards

- If the PCB soldered with the LEDs is to be subjected to other high temperature processes, the PCB needs to be stored in sealed MBB with desiccant or in desiccator at <math>5\% \text{ RH}</math> to ensure no LEDs have exceeded their floor life of 672 hours.

### E. Baking is required if:

- “10%” is Not blue and “5%” HIC indicator turns pink.
- The LEDs are exposed to conditions of <math>30^{\circ}\text{C}/60\% \text{ RH}</math> at any time.
- The LEDs' floor life exceeds 672 hours.

Recommended baking conditions:  $60\pm 5^{\circ}\text{C}$  for 20 hours.

## Handling Precautions

The encapsulation material of the InGaN family product is made of silicone for better reliability of the product. As silicone is a soft material, please do not press on the silicone or poke a sharp object onto the silicone. These might damage the product and cause premature failure. During assembly or handling, the unit should be held on the body only. Please refer to Avago Application Note AN 5288 for detail information.

For product information and a complete list of distributors, please go to our website: [www.avagotech.com](http://www.avagotech.com)

Avago, Avago Technologies, and the A logo are trademarks of Avago Technologies in the United States and other countries. Data subject to change. Copyright © 2005-2013 Avago Technologies. All rights reserved. Obsoletes AV01-0312EN AV02-0479EN - March 20, 2013

**AVAGO**  
TECHNOLOGIES