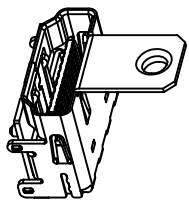
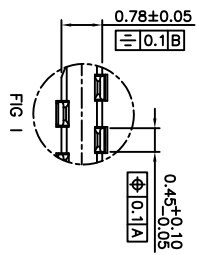
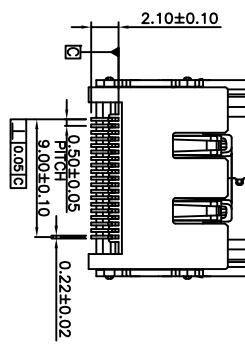
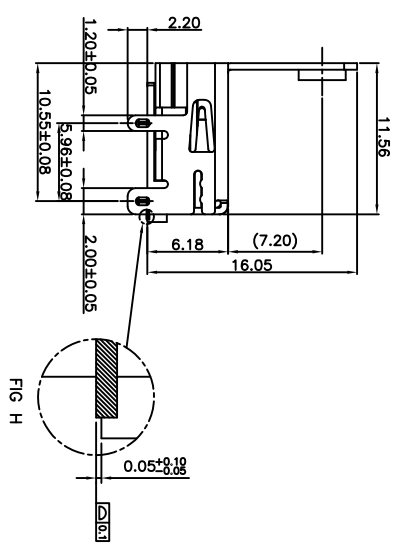
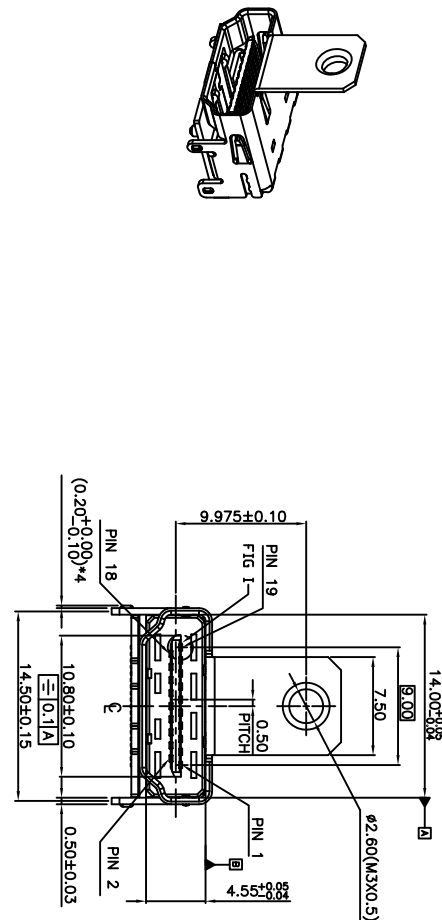
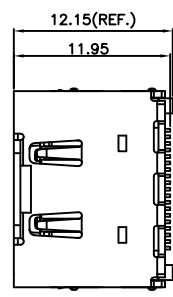


Rev	AWO #	Description	Date	Appr
-		RELEASED	10/5/06	

APPROVED: _____ TITLE: _____
 DATE: _____



SPECIFICATIONS:

Material:
 Insulator: Hi Temp thermoplastic, glass reinforced, rated UL 94V-0
 Insulator color: Black
 Contacts: Copper Alloy
 Shell: Steel, Nickel plated
Plating:
 Gold flash over Nickel underplate on Contact area, Tin over Nickel underplate on SMT tails
Electrical:
 Operating voltage: 40 VAC max
 Current rating: 0.5 Amps max
 Contact resistance: 30 mOhms max
 Insulation resistance: 10 Mohms min
 Dielectric withstanding voltage: 500 VAC for 1 minute
Temperature Rating:
 Operating temperature: -20°C to +85°C
 Environmental:
 Lead free, RoHS compliant.



UNLESS OTHERWISE SPECIFIED
 ALL DIMENSIONS ARE INCHES [MM]
 TOLERANCES: EXCEPT AS NOTED
 INCHES: .10, .020, .015
 HOLES: .10, .015
 APPROVALS: _____ DATE: 10/5/06

ADAM TECH
 909 Railway Avenue, Union, NJ 07083
 Phone: 908-687-5000 Fax: 908-687-5710
 TITLE: HDMI CONNECTOR, RIGHT ANGLE, SURFACE MOUNT, NO PEG, FLANGE

DRAWN	SS	10/5/06	SIZE	PART NO.	REV.
CHECKED			X	HDMI-S-RA-SMT-MF	
APPROVED			REF:	SCALE: NTS	SHEET 1 OF 2

6 5 4 3 2 1