

GSM Antenna

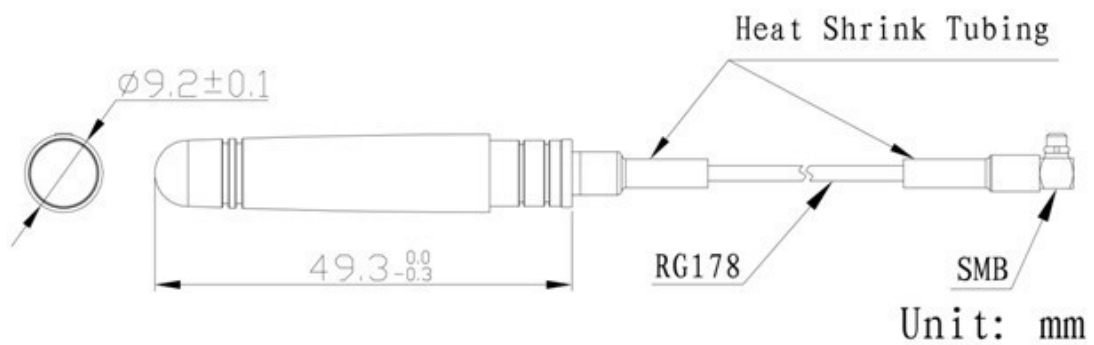
Model : GSM-ANT403



1 Part Number

GSM-ANT403

2 Dimension (Unit : mm)



3 Electrical Characteristics

3.1 GSM Antenna

Item	Specifications	
Antenna	Frequency Range	824~894/1710~2170MHz or 880~960/1710~2170MHz
	Polarization	Linear
	Gain	2dBi (Zenith)
	V.S.W.R (min)	< 2.5
	Impedance	50Ω
Mechanical	Cable	RG178
	Connector	SMB/IPEX or others
Environmental	Operating Temperature	-40°C~+85°C
	Vibration	10 to 55Hz with 1.5mm amplitude 2hours
	Environmentally Friendly	ROHS Compliant

4 Radiation Pattern

