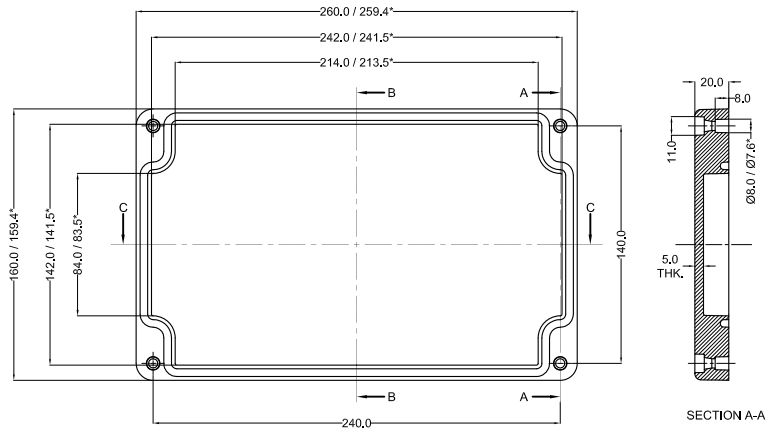
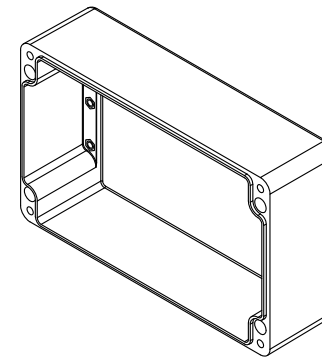
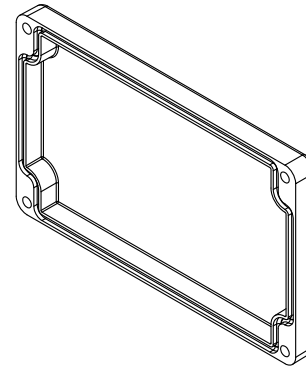
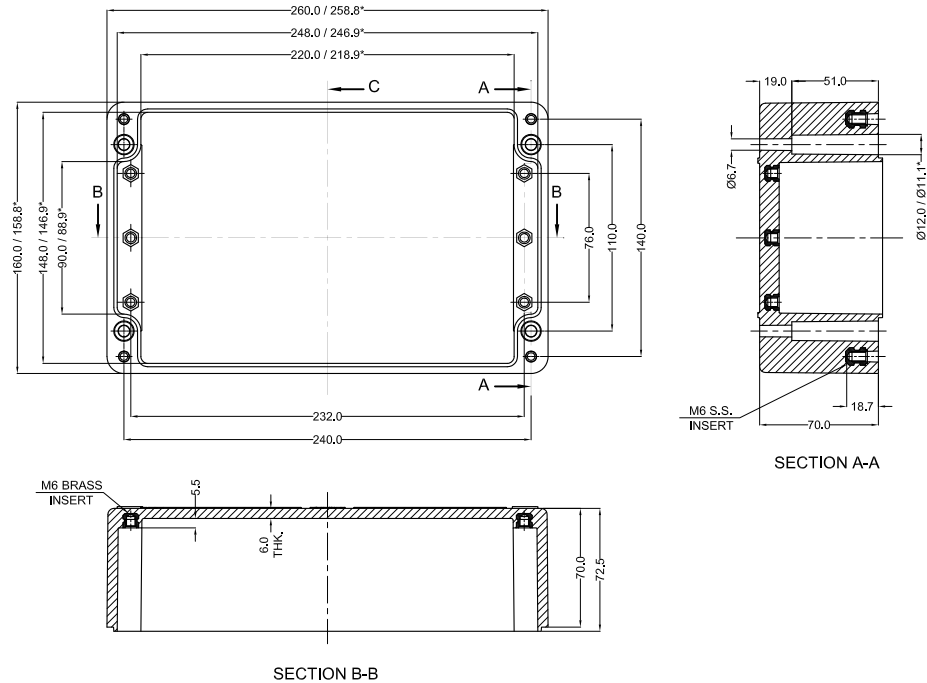


* = Conical form tapering downward.
 Untoleranced dimensions per DIN 16901-140

LID



BASE



OPTIONAL ACCESSORIES		
PART NAME	QTY.	AVILABILITY
MOUNTING PLATE	1	Y
EXTERNAL HINGE	1	Y
INTERNAL HINGE	-	N
MOUNTING BRACKETS	4	Y
NEOPRENE/SILICON GASKET	1	Y
DIN RAIL TS15	-	N
DIN RAIL TS35	1	Y

NO.	REV.NO.	DESCRIPTION	DATE	DRAWN	CHECKED
-	-	-	-	-	-
QUANTITY	MATERIAL :-	MACH.NAME	DATE	SIGN	NAME
-	GRP	-	03/01/14		RRPL DESIGN
		TITLE :-	03/01/14		MANOJ DRAWN
		GRP JUNCTION BOX 260 x 160 x 90			PAVAN CHECKED
					M.S. APPROVED
TOLERANCE	WEIGHT: FINISH:	Raychem RPG (P) Limited	SCALE	PARTNO. .	
±0.2	DIMENSIONS	Ceat Mahal Annexe, Dr. Annie Besant Road , Worli , Mumbai 400030 Web : www.raychemrpg.com	REV		DRG. NO.
±0.2	HOLES				GJB-26016090-0
±1.0°	ANGLES	GRJ 13			

2	GJB-26016090-B-02	GRP-30	BLACK RAL9011
1	GJB-26016090-B-01	GRP-23	GREY RAL7000
Sr.No.	Drawing no.	RM Grade	Finish

PROPERTY OF RaychemRPG (P) LTD.
 ALL RIGHTS RESERVED AND/OR PHOTOCOPYING THIS DOCUMENT
 TO A PERSON WITHOUT RaychemRPG (P) LTD. WRITTEN AUTHORIZATION IS PROHIBITED