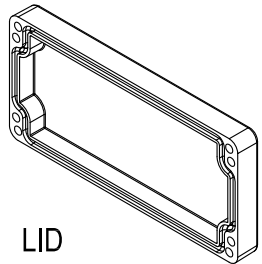
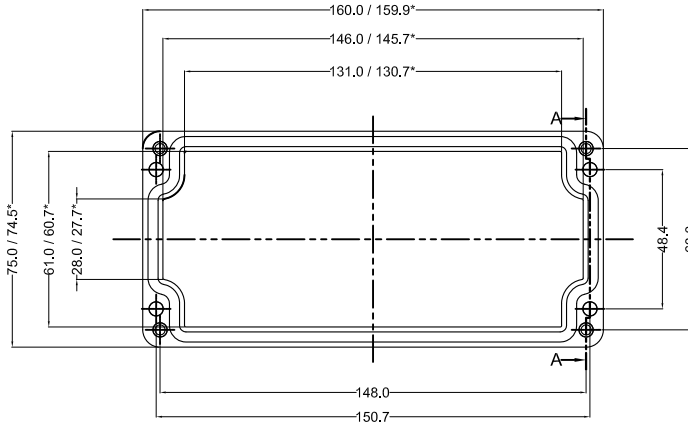


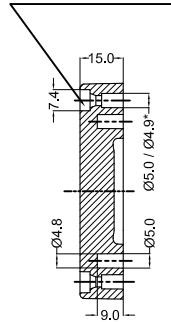
* = Conical form tapering downward.
 Untoleranced dimensions per DIN 16901-140



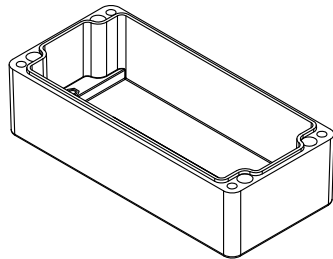
LID



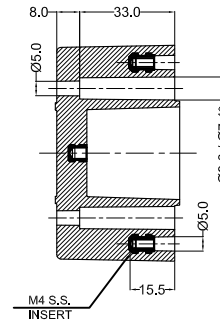
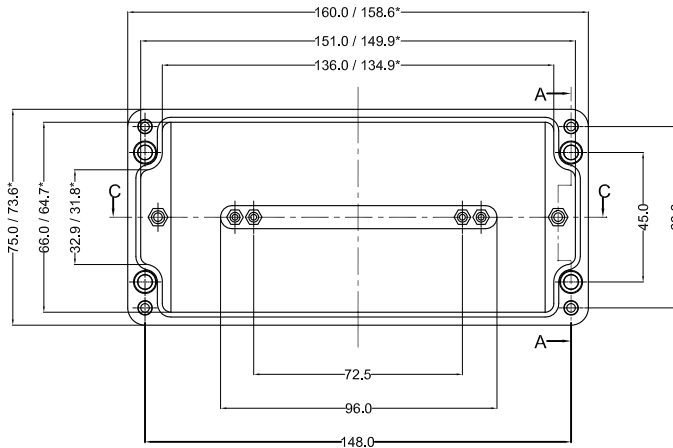
Cylinder Screw
 M4 x 24/7 similar to DIN 84



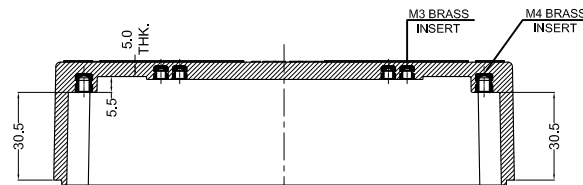
SECTION A-A



BASE



SECTION A-A



SECTION C-C

OPTIONAL ACCESSORIES		
PART NAME	QTY.	AVILABILITY
MOUNTING PLATE	1	Y
EXTERNAL HINGE	-	N
INTERNAL HINGE	-	N
MOUNTING BRACKETS	4	Y
NEOPRENE/EMC/SILICON GASKET	1	Y
DIN RAIL TS15	1	Y
DIN RAIL TS35	-	N

NO.	REV.NO.	DESCRIPTION	DATE	SIGN	NAME	CHECKED
-	-	-	-	-	-	-
QUANTITY	MATERIAL :-	MACH.NAME	DATE	SIGN	NAME	
-	GRP	-	03/01/14		RRPL DESIGN	
		TITLE :-	03/01/14		MANOJ DRAWN	
		GRP JUNCTION BOX 160 x 75 x 55			PAVAN CHECKED	
					M.S. APPROVED	
WEIGHT :	FINISH :	Raychem RPG (P) Limited	SCALE	PARTNO. .		
TOLERANCE		Ceat Mahal Annexe, Dr. Annie Besant Road , Worli , Mumbai 400030 Web : www.raychemrpg.com	REV		DRG. NO.	
±0.2 DIMENSIONS	±0.2 HOLES		00		GJB-1607555-0	
±1.0° ANGLES	GRJ 05					

3	GJB-1607555-B-02	GRP-30	BLACK RAL9011	02
2	GJB-1607555-B-02	GRP-30	BLACK RAL9011	01
1	GJB-1607555-B-01	GRP-23	GREY RAL7000	
Sr.No.	Drawing no.	RM Grade	Finish	VERSION

PROPERTY OF RaychemRPG (P) LTD.
 ALL RIGHTS RESERVED AND/OR PHOTOCOPYING THIS DOCUMENT
 TO A PERSON WITHOUT RaychemRPG (P) LTD. WRITTEN AUTHORIZATION IS PROHIBITED