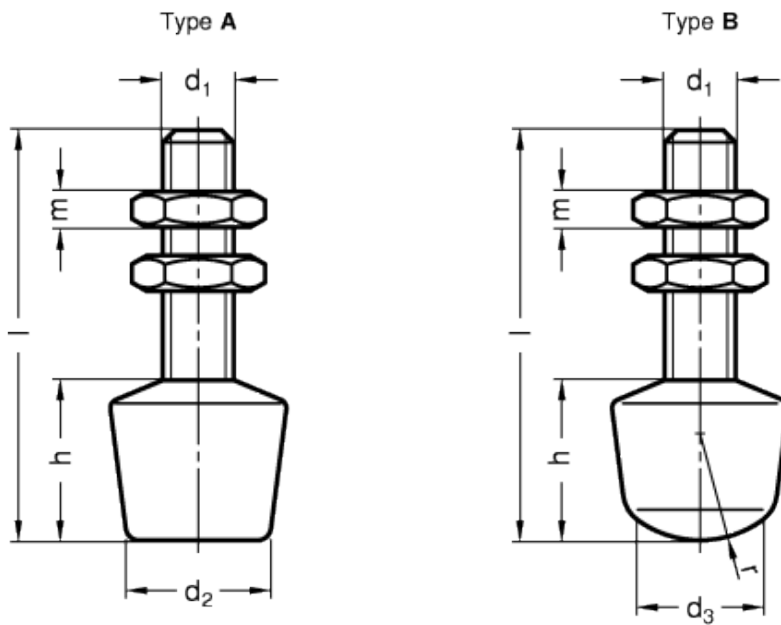


GN 708.1

Clamping bolts



technical informations

Material

Zinc-plated steel ST, blue passivated.

Pressure pad

Shore 85 A \approx black Neoprene, bonded to the stud.

Hexagon nuts

Zinc-plated steel, blue passivated.

Standard versions available

- Type A: straight pressure pad.
- Type B: round pressure pad.

Features and applications

The hexagon nuts are included.

Standard Elements	Main dimensions							Weight	
	Description	d ₁	l	d ₂	d ₃	h	m	r	g
GN 708.1-M5-45-A-ST	M5	45	10	-	11	2.7	-	-	10
GN 708.1-M6-35-A-ST	M6	35	13	-	12	3.2	-	-	13
GN 708.1-M6-55-A-ST	M6	55	13	-	12	3.2	-	-	16
GN 708.1-M8-43-A-ST	M8	43	16	-	18	4	-	-	29
GN 708.1-M8-68-A-ST	M8	68	16	-	18	4	-	-	36
GN 708.1-M10-50-A-ST	M10	50	20	-	21	5	-	-	52
GN 708.1-M10-77-A-ST	M10	77	20	-	21	5	-	-	64
GN 708.1-M5-45-B-ST	M5	45	-	9	11	2.7	8	-	10
GN 708.1-M6-35-B-ST	M6	35	-	12	12	3.2	10	-	13
GN 708.1-M6-55-B-ST	M6	55	-	12	12	3.2	10	-	16
GN 708.1-M8-43-B-ST	M8	43	-	14	18	4	12	-	28
GN 708.1-M8-68-B-ST	M8	68	-	14	18	4	12	-	36
GN 708.1-M10-50-B-ST	M10	50	-	18	21	5	15	-	52
GN 708.1-M10-77-B-ST	M10	77	-	18	21	5	15	-	63



STANDARD MACHINE ELEMENTS WORLDWIDE