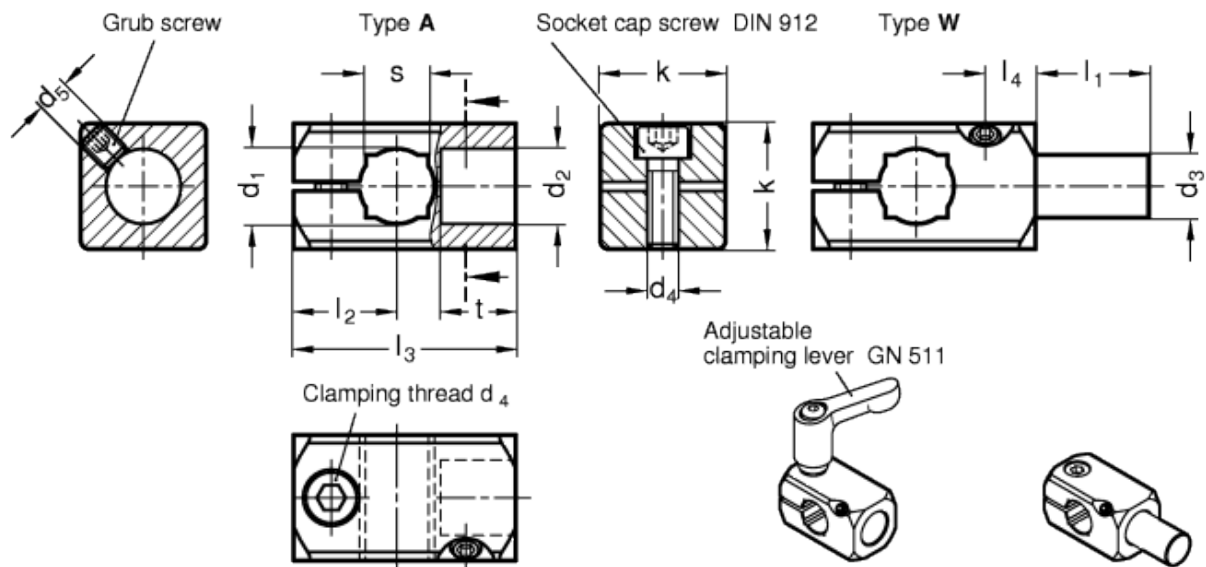


# GN 476

T-Clamp mountings



## technical informations

**Material**  
Aluminium.

## Types

- Type A: with bore.
- Type W: with bolt, Steel, zinc-plated, blue passivated.

## Finish

- Version MT: matte, ground.
- Version ELS: anodised, black.

### Clamping screws

AISI 304 stainless steel socket cap screws DIN 912.

### Grub screw

AISI 301 stainless steel DIN 913.

### *Features and applications*

The T-Clamp mountings GN 476, Type W are an alternative to twistable two-way clamp mountings GN 475 if high angular forces are required.

The standard clamping bolts are socket cap screws DIN 912. They can be replaced by adjustable clamping kits GN 511 (description see table of dimensions).

### *Accessories*

Clamping kits [GN 511](#) (clamping handles GN 300.1 with distance bushing).

Standard Elements	Main dimensions												Clamping kits	Weight
Description	d <sub>1</sub> Bore B for shaft tol. h11	d <sub>2</sub> H9 Type A	d <sub>3</sub> Type W	k	d <sub>4</sub> Clamping thread	d <sub>5</sub>	l <sub>1</sub>	l <sub>2</sub>	l <sub>3</sub>	l <sub>4</sub>	t	s Square V	for d <sub>4</sub>	g
GN 476-B8-B8-A-MT	B8	B8	-	16	M 4	M 4	16	13	26	5.5	8	-	GN 511-M4-16	20
GN 476-B10-B10-A-MT	B10	B10	-	20	M 5	M 5	17	15.5	31.5	7	10	8	GN 511-M5-20	150
GN 476-B12-B12-A-MT	B12	B12	-	20	M 5	M 5	19	16.5	35.5	8	12	10	GN 511-M5-20	28
GN 476-B15-B15-A-MT	B15	B15	-	25	M 6	M 6	21	20	43.5	10	15	12	GN 511-M6-25	54
GN 476-B16-B16-A-MT	B16	B16	-	25	M 6	M 6	24	20	45	11	16	-	GN 511-M6-25	54
GN 476-B8-B8-A-ELS	B8	B8	-	16	M 4	M 4	16	13	26	5.5	8	-	GN 511-M4-16	20
GN 476-B10-B10-A-ELS	B10	B10	-	20	M 5	M 5	17	15.5	31.5	7	10	8	GN 511-M5-20	150
GN 476-B12-B12-A-ELS	B12	B12	-	20	M 5	M 5	19	16.5	35.5	8	12	10	GN 511-M5-20	28
GN 476-B15-B15-A-ELS	B15	B15	-	25	M 6	M 6	21	20	43.5	10	15	12	GN 511-M6-25	54
GN 476-B16-B16-A-ELS	B16	B16	-	25	M 6	M 6	24	20	45	11	16	-	GN 511-M6-25	54
GN 476-B8-8-W-MT	B8	-	8	16	M 4	M 4	16	13	26	5.5	8	-	GN 511-M4-16	20
GN 476-B10-10-W-MT	B10	-	10	20	M 5	M 5	17	15.5	31.5	7	10	8	GN 511-M5-20	150
GN 476-B12-12-W-MT	B12	-	12	20	M 5	M 5	19	16.5	35.5	8	12	10	GN 511-M5-20	28
GN 476-B15-15-W-MT	B15	-	15	25	M 6	M 6	21	20	43.5	10	15	12	GN 511-M6-25	54
GN 476-B16-16-W-MT	B16	-	16	25	M 6	M 6	24	20	45	11	16	-	GN 511-M6-25	54
GN 476-B8-8-W-ELS	B8	-	8	16	M 4	M 4	16	13	26	5.5	8	-	GN 511-M4-16	20
GN 476-B10-10-W-ELS	B10	-	10	20	M 5	M 5	17	15.5	31.5	7	10	8	GN 511-M5-20	150
GN 476-B12-12-W-ELS	B12	-	12	20	M 5	M 5	19	16.5	35.5	8	12	10	GN 511-M5-20	28
GN 476-B15-15-W-ELS	B15	-	15	25	M 6	M 6	21	20	43.5	10	15	12	GN 511-M6-25	54
GN 476-B16-16-W-ELS	B16	-	16	25	M 6	M 6	24	20	45	11	16	-	GN 511-M6-25	54



STANDARD MACHINE ELEMENTS WORLDWIDE