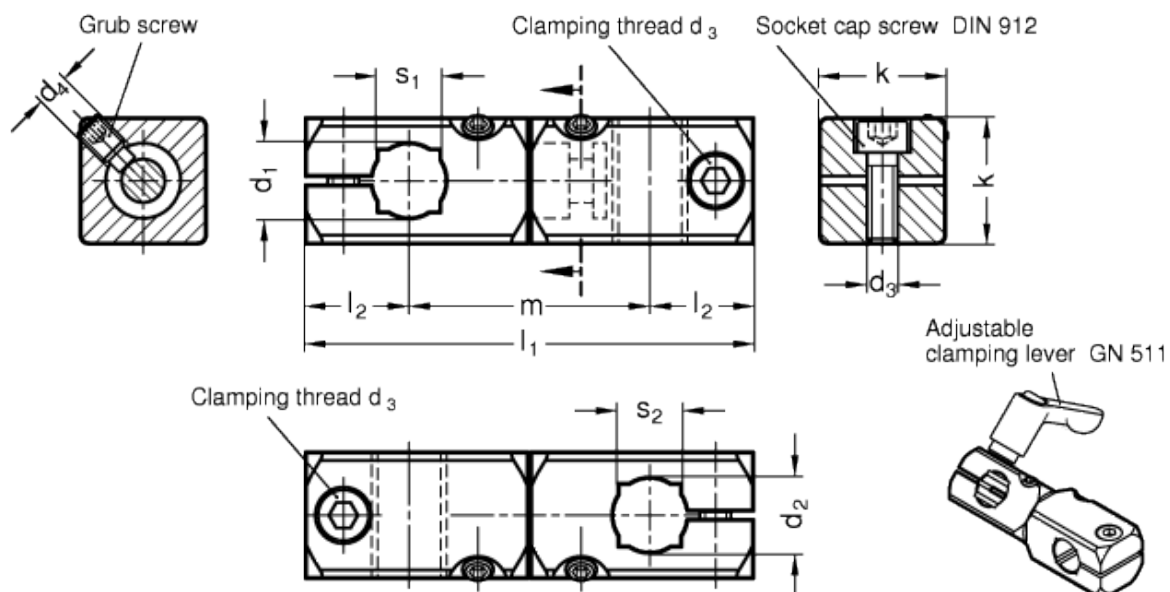


GN 475

Twistable two-way clamp mountings



technical informations

Material
Aluminium.

Finish

- Version MT: matte, ground.
- Version ELS: anodised, black.

Clamping screws

AISI 304 stainless steel socket cap screws DIN 912.

Features and applications

Twistable two-way clamp mountings GN 475 connect rods and tubes within a clamping system under any adjustable angle. With the angle adjustment released, the clamping mounting halves stay connected with formlocking effect. The standard clamping bolts of the clamping threads d3 are socket cap screws DIN 912. They can be replaced by adjustable clamping kits GN 511 (description see table of dimensions).

Accessory

Clamping kits [GN 511](#) (Clamping handles GN 300.1 with distance bushing).

Standard Elements	Main dimensions										Clamping kits	Weight
Description	d ₁ Bore B for shaft tol. h11	d ₂ Bore B for shaft tol. h11	k	d ₃ Clamping thread	d ₄	l ₁	l ₂	m	S ₂ Square V	S ₁ Square V	for d ₃	g
GN 475-B8-B8-MT	B8	B8	16	M 4	M 4	52.5	13	26.5	-	-	GN 511-M4-16	34
GN 475-B10-B10-MT	B10	B10	20	M 5	M 5	63.5	15.5	32.5	8	8	GN 511-M5-20	65
GN 475-B12-B12-MT	B12	B12	20	M 5	M 5	71.5	16.5	38.5	10	10	GN 511-M5-20	73
GN 475-B15-B15-MT	B15	B15	25	M 6	M 6	87.5	20	47.5	12	12	GN 511-M6-25	143
GN 475-B16-B16-MT	B16	B16	25	M 6	M 6	90.5	20	50.5	-	-	GN 511-M5-25	139
GN 475-B8-B8-ELS	B8	B8	16	M 4	M 4	52.5	13	26.5	-	-	GN 511-M4-16	34
GN 475-B10-B10-ELS	B10	B10	20	M 5	M 5	63.5	15.5	32.5	8	8	GN 511-M5-20	65
GN 475-B12-B12-ELS	B12	B12	20	M 5	M 5	71.5	16.5	38.5	10	10	GN 511-M5-20	73
GN 475-B15-B15-ELS	B15	B15	25	M 6	M 6	87.5	20	47.5	12	12	GN 511-M6-25	143
GN 475-B16-B16-ELS	B16	B16	25	M 6	M 6	90.5	20	50.5	-	-	GN 511-M6-25	139



STANDARD MACHINE ELEMENTS WORLDWIDE