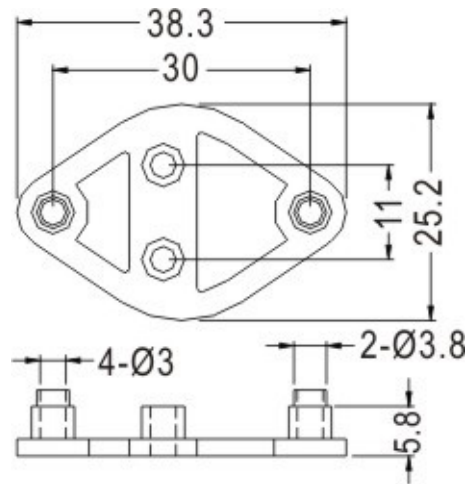


FIX-TR



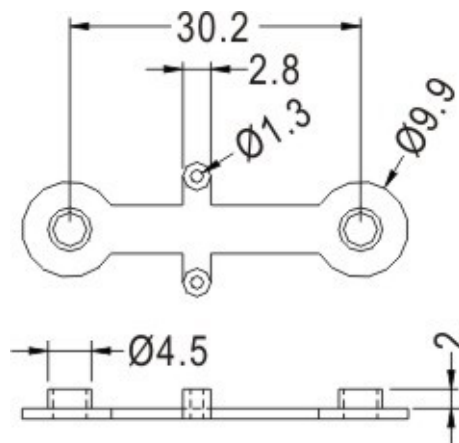
- ◆ MATERIAL: NYLON 66(UL)
- ◆ FLAME CLASS: 94V-2
- ◆ COLOR: NATURAL
- ◆ UNIT: mm
- ◆ APPLICATION: TO3



PART NO
FIX-TR-4



- ◆ MATERIAL: NYLON 66(UL)
- ◆ FLAME CLASS: 94V-2
- ◆ COLOR: NATURAL
- ◆ UNIT: mm
- ◆ APPLICATION: TO3



PART NO
FIX-TR-6

