

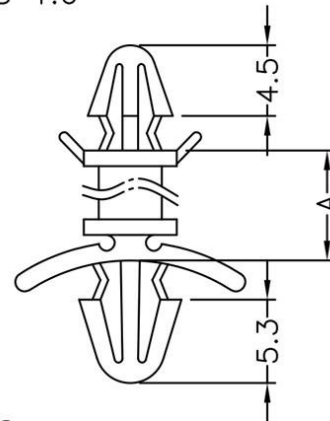


## FIX-LCBS

MATERIAL: NYLON 66(UL)  
 FLAME CLASS: 94V-2  
 COLOR: NATURAL  
 UNIT: mm

PART NO	A
FIX-LCBS-4	4
FIX-LCBS-5	5
FIX-LCBS-6	6,35
FIX-LCBS-7	7
FIX-LCBS-9	9,2
FIX-LCBS-10	10
FIX-LCBS-12	12,5
FIX-LCBS-15	15,7
FIX-LCBS-19	19
FIX-LCBS-20	20
FIX-LCBS-22	22
FIX-LCBS-25	25,4
FIX-LCBS-28	28,6
FIX-LCBS-30	30
FIX-LCBS-35	35
FIX-LCBS-38	38
FIX-LCBS-45	45

P.C.B  $\varnothing$ 4.0  
 THICKNESS 1.6



P.C.B  $\varnothing$ 4.8  
 THICKNESS 0.8~2.2

