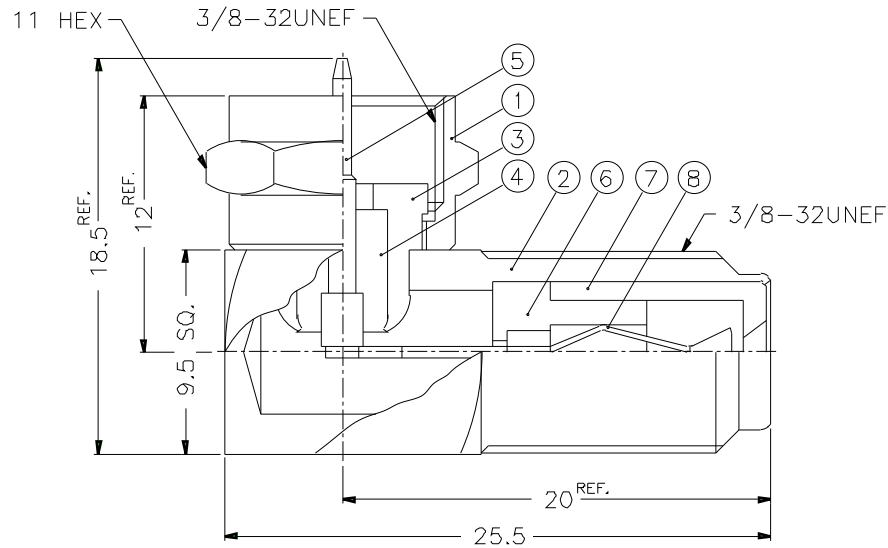


|           |      |                              |   |  |  |   |  |  |   |  |  |   |  |  |   |  |  |   |  |  |   |  |  |
|-----------|------|------------------------------|---|--|--|---|--|--|---|--|--|---|--|--|---|--|--|---|--|--|---|--|--|
| 1         |      |                              | 2 |  |  | 3 |  |  | 4 |  |  | 5 |  |  | 6 |  |  | 7 |  |  | 8 |  |  |
| REVISIONS |      |                              |   |  |  |   |  |  |   |  |  |   |  |  |   |  |  |   |  |  |   |  |  |
| ISS       | ZONE | DESCRIPTION\PER REQUEST\DATE |   |  |  |   |  |  |   |  |  |   |  |  |   |  |  |   |  |  |   |  |  |
|           |      |                              |   |  |  |   |  |  |   |  |  |   |  |  |   |  |  |   |  |  |   |  |  |



NOTES: FINISH (PLATING THICKNESS IN MICRO-INCHES)

- 1. BRASS PER QQ-B-626
- 2. NICKEL PL. 80 MIN. THICK OVER COPPER STRIKE
- 3. BRIGHT TIN PL. 80 MIN. THICK OVER COPPER PL. 100 MIN.
- 4. PHOSPHOR BRONZE PER QQ-B-750

|     |             |          |         |      |             |                                       |     |       |   |          |                 |           |                              |  |  |
|-----|-------------|----------|---------|------|-------------|---------------------------------------|-----|-------|---|----------|-----------------|-----------|------------------------------|--|--|
| 8   | CONTACT PIN | NOTE 4   | NOTE 3  | 1    |             | DIMENSIONS ARE IN MILLIMETERS         |     |       |   | PART NO. | F5072A2-NPPT-75 |           | <b>Amphenol</b>              |  |  |
| 7   | INSULATOR   | P.P.     | NATURAL | 1    |             | UNLESS OTHERWISE SPECIFIED TOLERANCES |     |       |   | APPROVED |                 |           |                              |  |  |
| 6   | INSULATOR   | P.P.     | NATURAL | 1    |             | 0.5-6 = ±0.2                          |     |       |   | CHECKED  | DATE            | 10-11-01' | TITLE                        |  |  |
| 5   | CONTACT PIN | NOTE 1   | NOTE 2  | 1    |             | 6-30 = ±0.4                           |     |       |   | DRAWN    |                 |           | F MALE TO FEMALE R/A ADAPTOR |  |  |
| 4   | INSULATOR   | DELRIIN  | NATURAL | 1    |             | 30-120 = ±0.6                         |     |       |   | DATE     |                 |           | DRAWING NO.                  |  |  |
| 3   | BODY        | NOTE 1   | NOTE 2  | 1    |             | 120-315 = ±1                          |     |       |   | DATE     |                 |           | KJ-F5072A2-NPPT-75           |  |  |
| 2   | HOUSING     | NOTE 1   | NOTE 2  | 1    |             | 315-1000 = ±1.6                       |     |       |   | DATE     |                 |           | ITEM NO.                     |  |  |
| 1   | SHELL       | NOTE 1   | NOTE 2  | 1    |             | 1000-2000 = ±2.4                      |     |       |   | DATE     |                 |           |                              |  |  |
| NO. | DESCRIPTION | MATERIAL | FINISH  | Q'TY | DRAWING NO. | SCALE                                 | 3/1 | ISSUE | A | FILE NO. |                 |           |                              |  |  |

|   |  |  |   |  |  |   |  |  |   |  |  |   |  |  |   |  |  |   |  |  |   |  |  |
|---|--|--|---|--|--|---|--|--|---|--|--|---|--|--|---|--|--|---|--|--|---|--|--|
| 1 |  |  | 2 |  |  | 3 |  |  | 4 |  |  | 5 |  |  | 6 |  |  | 7 |  |  | 8 |  |  |
|---|--|--|---|--|--|---|--|--|---|--|--|---|--|--|---|--|--|---|--|--|---|--|--|