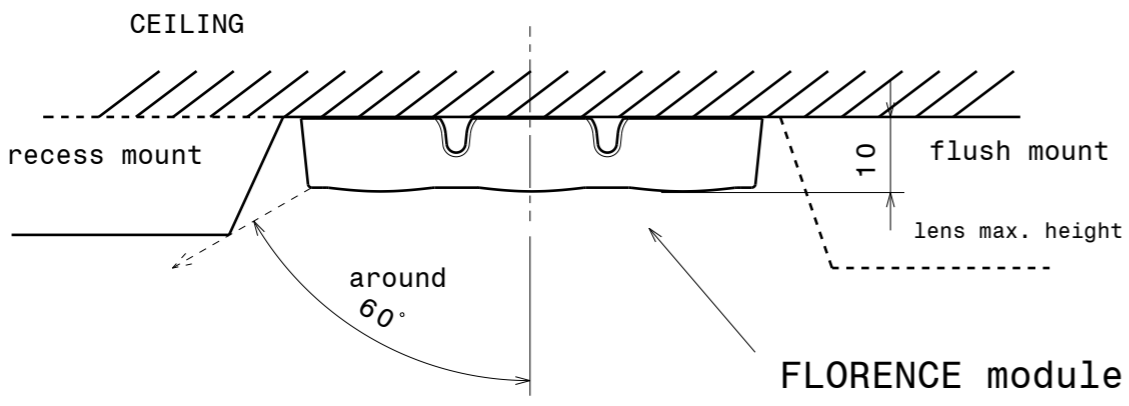
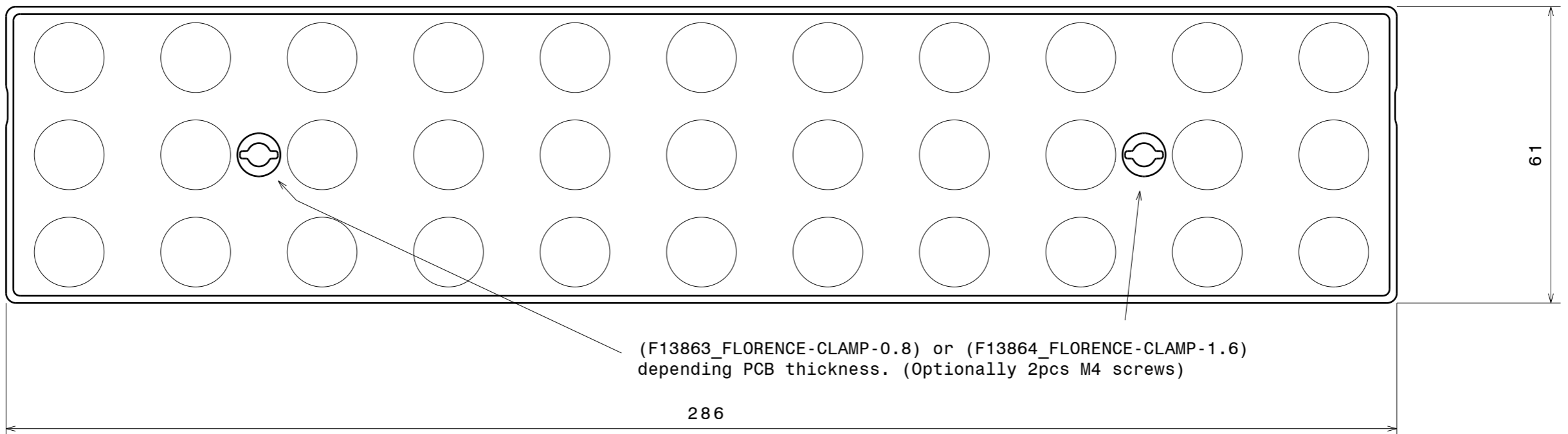
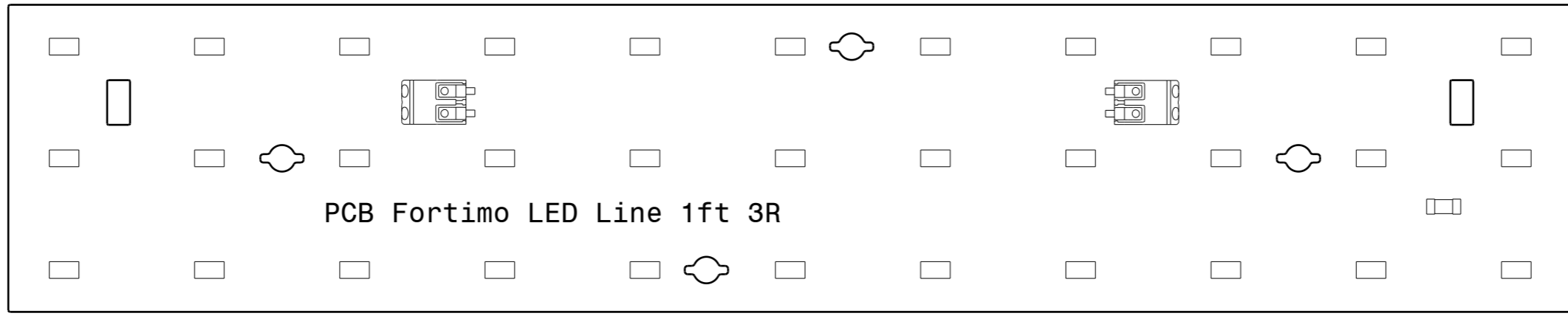


H G F E D C B A



Tolerances if not otherwise shown  
According to DIN ISO 2768-1  
Linear measures:  
Up to 30mm class M, otherwise class C.  
According to DIN ISO 2768-2  
Form and position: class L

**LEDiL** Ledil Oy  
Salorankatu 10  
FIN 24240 SALO  
Finland

THIRD ANGLE PROJECTION:

DRAWING TITLE (with recommended PCB dimensions)  
**FLORENCE - Z90**

This drawing is the property of LEDiL Oy. It may not be reproduced, copied or communicated without a written agreement with LEDiL Oy."

SIZE	PART NUMBER
<b>A3</b>	<b>F13853</b>

SCALE	1:1	WEIGHT	73,47 g	Rev	001	SHEET	1/1
-------	-----	--------	---------	-----	-----	-------	-----

H G B A