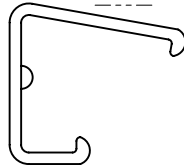
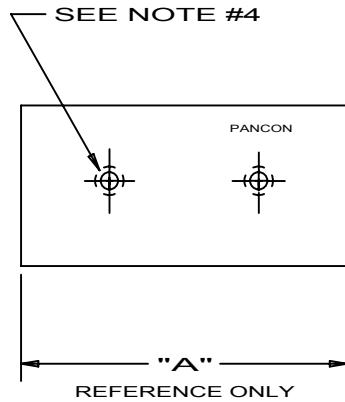


THIS COPY IS PROVIDED ON A RESTRICTED BASIS AND IS NOT TO BE USED IN ANY WAY DETRIMENTAL TO THE INTERESTS OF PANCON.



PART * NUMBER	NO. OF CIRCUITS	DIM "A" IN. (MM)
EC156F-2	2	.32 (8.1)
EC156F-3	3	.47 (11.9)
EC156F-4	4	.62 (15.8)
EC156F-5	5	.78 (19.8)
EC156F-6	6	.94 (23.8)
EC156F-7	7	1.09 (27.7)
EC156F-8	8	1.25 (31.7)
EC156F-9	9	1.40 (35.7)
EC156F-10	10	1.56 (39.6)
EC156F-11	11	1.72 (43.6)
EC156F-12	12	1.87 (47.5)
EC156F-13	13	2.03 (51.5)
EC156F-14	14	2.18 (55.5)
EC156F-15	15	2.34 (59.4)
EC156F-16	16	2.50 (63.4)
EC156F-17	17	2.65 (67.4)
EC156F-18	18	2.81 (71.3)
EC156F-19	19	2.96 (75.3)
EC156F-20	20	3.12 (79.2)
EC156F-21	21	3.28 (83.2)
EC156F-22	22	3.43 (87.2)
EC156F-23	23	3.59 (91.1)
EC156F-24	24	3.74 (95.1)

U.L. RECOGNIZED FILE # E73711

NOTES:

- \*1. SEE CURRENT PRICE SHEET FOR PART NUMBER PACKAGE SIZE SUFFIX.
2. COVER MATERIAL: THERMOPLASTIC U.L. 94V-0.
3. ALL DIMENSIONS ARE SHOWN IN INCHES & (MILLIMETERS).
4. TWO DEPRESSIONS ON COVER FOR FIVE (5) OR MORE CIRCUITS.
5. PARTS ARE SOLD AS "FUNCTIONAL ONLY".



								 www.pancon.de / GERMANY www.panconconnectors.com / USA		Bolingbrook, Illinois			
								® <b>MAS-CON , .156"</b> <b>END CIRCUIT CONNECTOR COVER</b>					
								UNLESS OTHERWISE SPECIFIED, DIMENSIONAL TOLERANCES ARE: (.X) ±      (.XXX) ± (.XX) ±      ANGLES ±		UNLESS OTHERWISE SPECIFIED, ALL DIMENSIONS ARE GIVEN IN INCHES. THIRD ANGLE PROJECTION. SCALE <b>2 : 1</b>			
12	7/26 /11	KLR		REMOVED DIMENSIONS				DRAWN BY	MAT'L				
11	9/28 /05	KI		Added RoHS compliant				RIC	SEE NOTE 2				
REV	DATE	BY	CHK	DESCRIPTION				CN - R	CUST	SUP	DATE	DWG. NO.	DWG. SIZE
											10/28/85	KA-10015	A
								CHK'D					
								WJH					