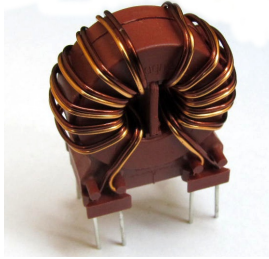


DTSN-28 NANOPERM COMMON MODE CHOKES

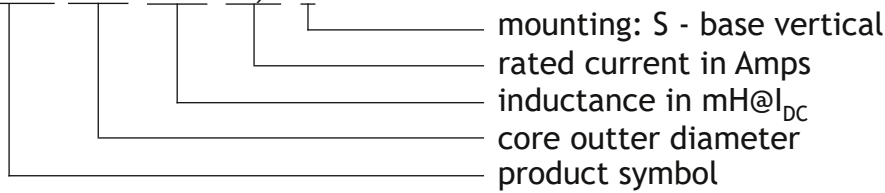


APPLICATIONS:

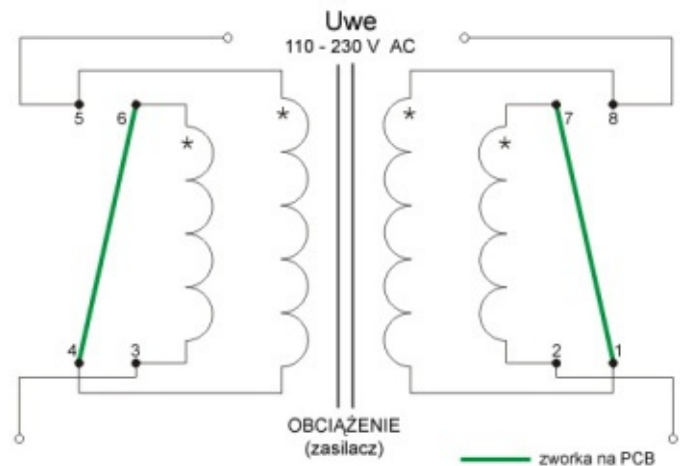
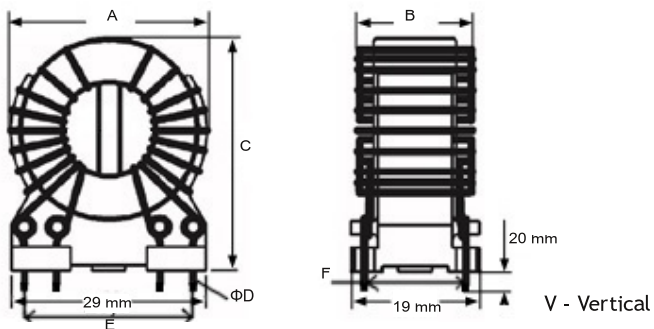
- SMPS transformers
- current transformers
- control transformers
- current compensated chokes
- chokes operating in saturation (thyristor and triac systems)

ORDERING CODE:

DTSN- 28 / 100 / 0,7 -S



DIMENSIONS:



Part number	Type - core dimension (± 10%)						Mounting version				
	A [mm]	B [mm]	C [mm]	D [mm]	E [mm]	F [mm]	V	H	BV	CV	CH
DTSN-28/100/0,7-S	31.5	14,0	38,0	2x0,3	1x15.24, 2x5.08	15.24	—	—	✓	—	—
DTSN-28/68/1,2-S	32.5	14,5	38,0	2x0,4	1x15.24, 2x5.08	15.24	—	—	✓	—	—
DTSN-28/47/1,9-S	33.0	15,0	38,0	2x0,5	1x15.24, 2x5.08	15.24	—	—	✓	—	—
DTSN-28/33/2,5-S	33.0	15,0	38,0	2x0,5	1x15.24, 2x5.08	15.24	—	—	✓	—	—
DTSN-28/22/3,0-S	33.0	15,0	38,0	2x0,5	1x15.24, 2x5.08	15.24	—	—	✓	—	—

ELECTRICAL PROPERTIES:

Part number	Lmax [mH]	I _{max} [A]	RDC [Ω]
DTSN-28/100/0,7-S	2x100	0,7	0,480
DTSN-28/68/1,2-S	2x68	1,2	0,360
DTSN-28/47/1,9-S	2x47	1,9	0,200
DTSN-28/33/2,5-S	2x33	2,5	0,102
DTSN-28/22/3,0-S	2x22	3,0	0,097

CHARACTERISTICS:

