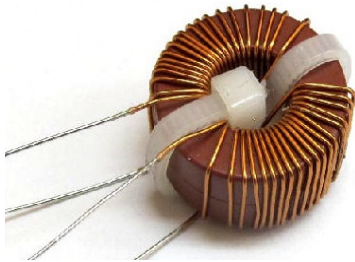


DTSN-16 NANOPERM COMMON MODE CHOKES



APPLICATIONS:

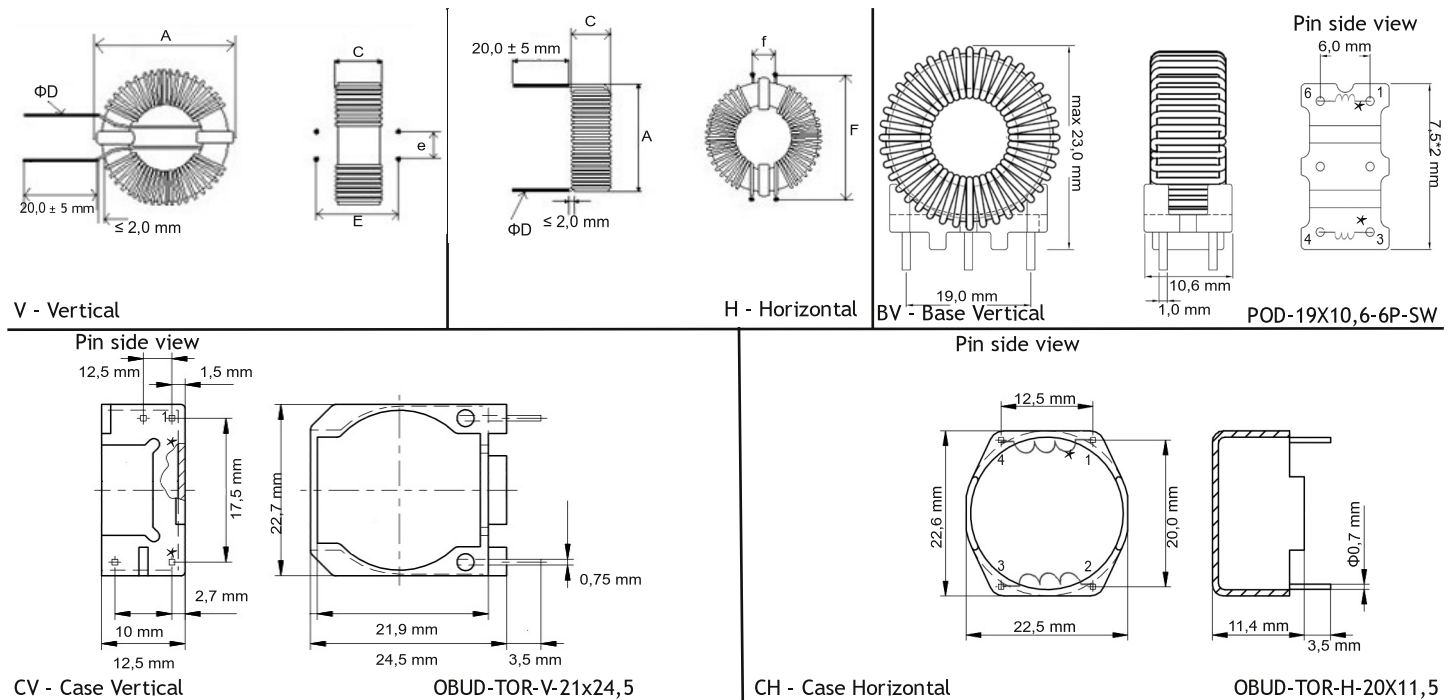
- SMPS transformers
- current transformers
- control transformers
- current compensated chokes
- chokes operating in saturation (thyristor and triac systems)

ORDERING CODE:

DTSN- 16 / 33 / 1,0 - V

mounting: V - vertical, H - horizontal, BV - base vertical,
CV - case vertical, CH - case horizontal
rated current in Amps
inductance in mH@ $I_{DC} = 0A$
sendust core outer diameter
product symbol

DIMENSIONS:



Part number	Dimensions ($\pm 10\%$)							Mounting version				
	A [mm]	C [mm]	D [mm]	E [mm]	e [mm]	F [mm]	f [mm]	V	H	BV	CV	CH
DTSN-16/33/1,0	19,0	9,5	0,35	12,0	6,0	20,0	6,0	✓	✓	✓	✓	✓
DTSN-16/22/1,2	19,0	10,0	0,40	12,0	6,0	20,0	6,0	✓	✓	✓	✓	✓
DTSN-16/15/1,6	19,5	10,0	0,45	12,0	6,0	20,0	6,0	✓	✓	✓	✓	✓
DTSN-16/10/2,2	20,0	10,5	0,53	12,0	6,0	20,0	6,0	✓	✓	✓	✓	✓
DTSN-16/6,8/3,3	20,5	11,0	0,65	12,0	6,0	20,0	6,0	✓	✓	✓	✓	✓
DTSN-16/4,7/5,0	21,0	11,0	0,80	12,0	6,0	20,0	6,0	✓	✓	—	—	—
DTSN-16/3,3/6,3	21,0	11,5	0,90	12,0	6,0	20,0	6,0	✓	✓	—	—	—

ELECTRICAL PROPERTIES:

Part number	Lmax [mH]	I _{max} [A]	RDC [Ω]
DTSN-16/33/1,0	2x33	1,0	0,425
DTSN-16/22/1,2	2x22	1,2	0,181
DTSN-16/15/1,6	2x15	1,6	0,099
DTSN-16/10/2,2	2x10	2,2	0,071
DTSN-16/6,8/3,3	2x6,8	3,3	0,049
DTSN-16/4,7/5,0	2x4,7	5,0	0,038
DTSN-16/3,3/6,3	2x3,3	6,3	0,035

CHARACTERISTICS:

