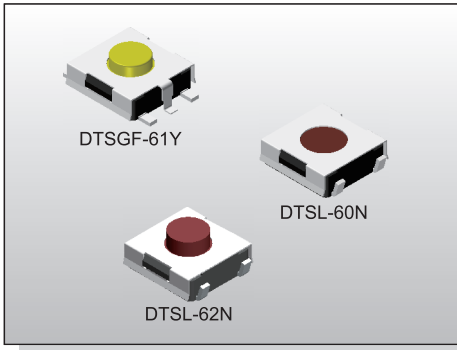


TACT SWITCH DTS(L)(F)-6 SERIES

6x6 Thinner Type With Ground Terminal
(Pitch 4.0mm)



FEATURES

- ✘ Thinner type with 2.0-3.1mm height
- ✘ Ground terminal available
- ✘ Reflow solderable

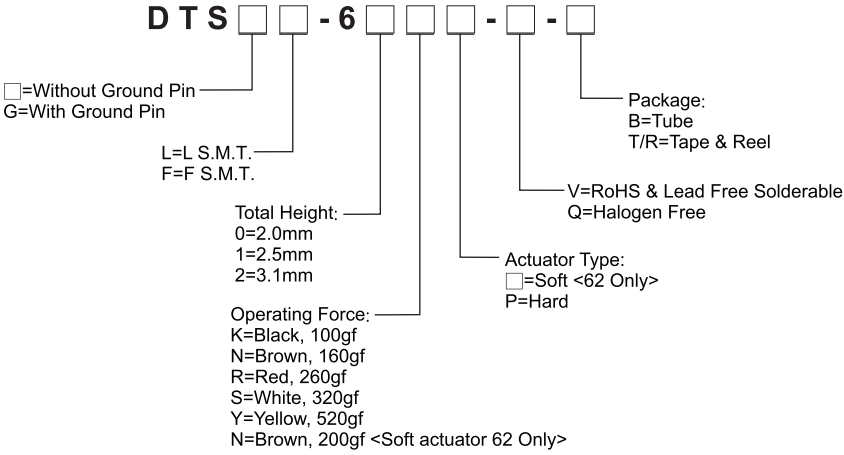
APPLICATION

- ✘ Audio, OA equipment
- ✘ Instrumentation
- ✘ White goods

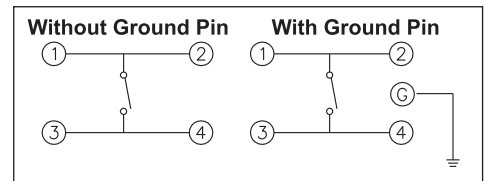
SPECIFICATION

Contact Rating	50mA, 12V DC
Contact Resistance	100mΩ max.
Insulation Resistance	100MΩ min. 500V DC
Dielectric Strength	250V AC/1 minute
Operating Force	100±50gf, Black(K) 160±50gf, Brown(N) 200±50gf, Brown(N) 62 Only 260±50gf, Red(R) 320±80gf, White(S) 520±130gf, Yellow(Y)
Travel	0.25mm
Operating Life	300,000 cycles for 520/320gf 500,000 cycles for 260/200gf 1,000,000 cycles for 160/100gf
Operating Temp.	-25°C ~ +70°C
Storage Temp.	-30°C ~ +80°C

HOW TO ORDER



CIRCUIT



PACKAGE

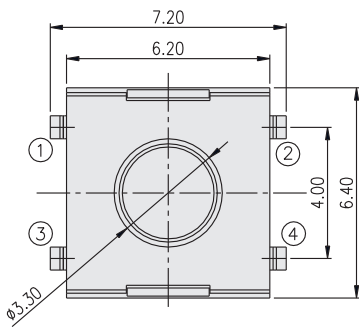
<Tube>

75 pcs

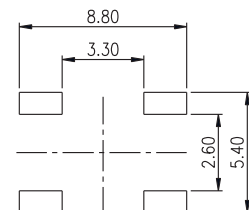
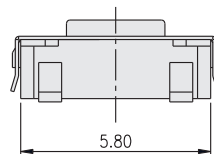
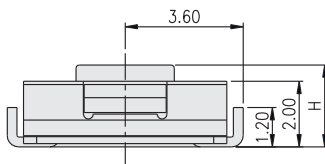
<Tape & Reel>

DTS(G)F-60□-T/R / DTSF-61□-T/R: 3000 pcs
DTS(G)L-60□-T/R / DTS(G)L-61□-T/R: 2700 pcs
DTS(G)L-62□-T/R / DTS(G)F-62□-T/R: 2500 pcs
DTSGF-61□-T/R: 2500 pcs

DTSL-6



PART NO.	H
DTSL-60	2.00
DTSL-61	2.50
DTSL-62	3.10



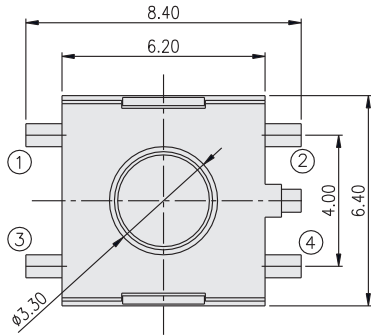
P.C.B. LAYOUT

TACT SWITCH
DTS(L)(F)-6 SERIES

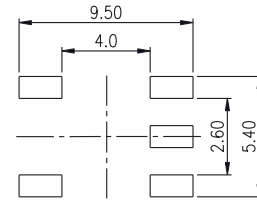
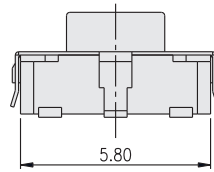
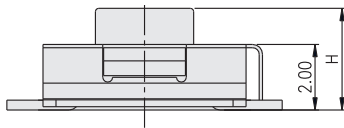
6x6 Thinner Type With Ground Terminal
 (Pitch 4.0mm)



DTSGF-6



PART NO.	H
DTSGF-60	2.00
DTSGF-61	2.50
DTSGF-62	3.10



P.C.B. LAYOUT

TACT SWITCH