



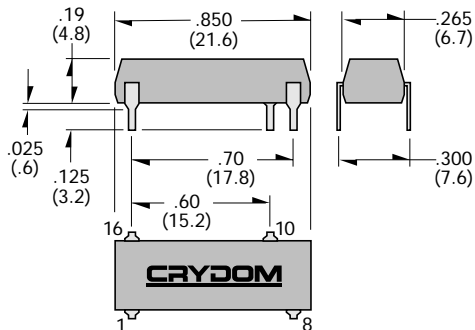
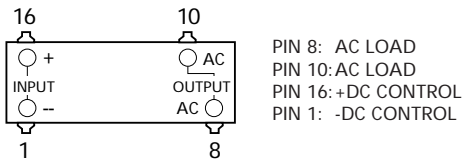
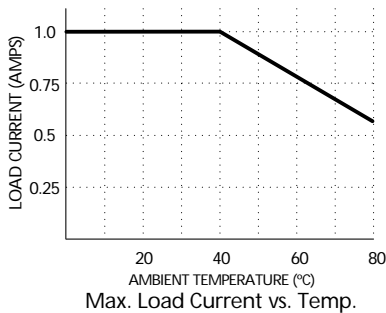
# Series DPA

1.0 Amp • 120, 240 Vac • 16 PIN DIP Package

- Compact for High Density PCB Mount
- DC Control
- SCR Output
- Zero Cross Switching

The Series DPA solid state relays are rated at 1.0 Amp RMS at ambient temperatures up to 40°C. The compact 16 pin DIP package is perfect for high density printed circuit boards. The DPA is offered in your choice of either voltage or current operated versions. Manufactured in Crydom's ISO 9002 Certified facility for optimum product performance and reliability.

## CURRENT DERATING CURVE



All dimensions are in inches (millimeters)

## GENERAL NOTES

- ① All parameters at 25°C unless otherwise specified.
- ② Dielectric and insulation resistance are measured between input and output.
- ③ Off-State dv/dt test method per EIA/NARM standard RS-443.

## APPROVALS

UL E116950  
CSA LR81689



MODEL NO.	DPA4111	DPA4119	DPA6111	DPA6119
<b>INPUT SPECIFICATIONS ①</b>				
Control Voltage Range	—	3.5-10 Vdc	—	3.5-10 Vdc
Control Current Range	10-35 mA	—	10-35 mA	—
Nominal Input Impedance	—	270 Ohm	—	270 Ohm
Typical Input Current @ 5 Vdc	—	15 mAdc	—	15 mAdc
Must Turn On Voltage	—	3.5 Vdc	—	3.5 Vdc
Must Turn On Current	10 mA	—	10 mA	—
Must Turn Off Voltage	—	1.0 Vdc	—	1.0 Vdc
Must Turn Off Current	1 mA	—	1 mA	—
<b>OUTPUT SPECIFICATIONS ①</b>				
Operating Voltage Range (47-63 Hz)	20-140 Vrms		20-280 Vrms	
Load Current Range	.01 - 1.0 Arms			
Transient Over-Voltage	400 Vpk		600 Vpk	
Max. Surge Current, (16.6ms)	30 Apk			
Min. Off-State dv/dt @ Max. Rated Voltage ③	500 V/μsec			
Max. Off-State Leakage @ Rated Voltage	.01 mArms			
Max. On-State Voltage Drop @ Rated Current	1.2 Vpk			
Max. Turn-On Time	1/2 cycle			
Max. Turn-Off Time	1/2 cycle			
Power Factor (Min.) With Max. Load	0.5			
<b>GENERAL SPECIFICATIONS</b>				
Dielectric Strength ②	3750 Vrms			
Insulation Resistance (Min.) @ 500 Vdc ②	10 <sup>9</sup> Ohm			
Max. Capacitance, Input-Output	2.0 pF			
Ambient Operating Temperature Range	-30 to 80°C			
Ambient Storage Temperature Range	-30 to 125°C			
<b>MECHANICAL SPECIFICATIONS</b>				
Weight: (typical)	.10 oz. (2.9 g)			
Encapsulation:	Thermally Conductive Epoxy			

©1998 CRYDOM CORP, Specifications subject to change without notice.

For recommended applications and more information contact:

USA: (800) 8 CRYDOM • (800) 827-9366 • (619) 715-7200 • fax (619) 715-7280

Crydom Corp. 9525 Chesapeake Drive, San Diego, CA 92123 • e-mail: sales@crydom.com

WEB SITE: <http://www.crydom.com> FASTFAX Product Information: (888) 267-9191

UK: (44)1202 812300 • fax (44)1202 812340 Crydom International Ltd., 85, Condor Close, Woolsbridge Industrial Estate, Three-Legged Cross, Wimborne, Dorset, England BH21 6SU

GERMANY: (49) (0)6874 182580 • fax (49)(0)6874 182585 Crydom GmbH,

Gewerbegebiet Im Schachen, D-66687 Nunkirchen, Germany • e-mail: vertrieb@crydom.com

