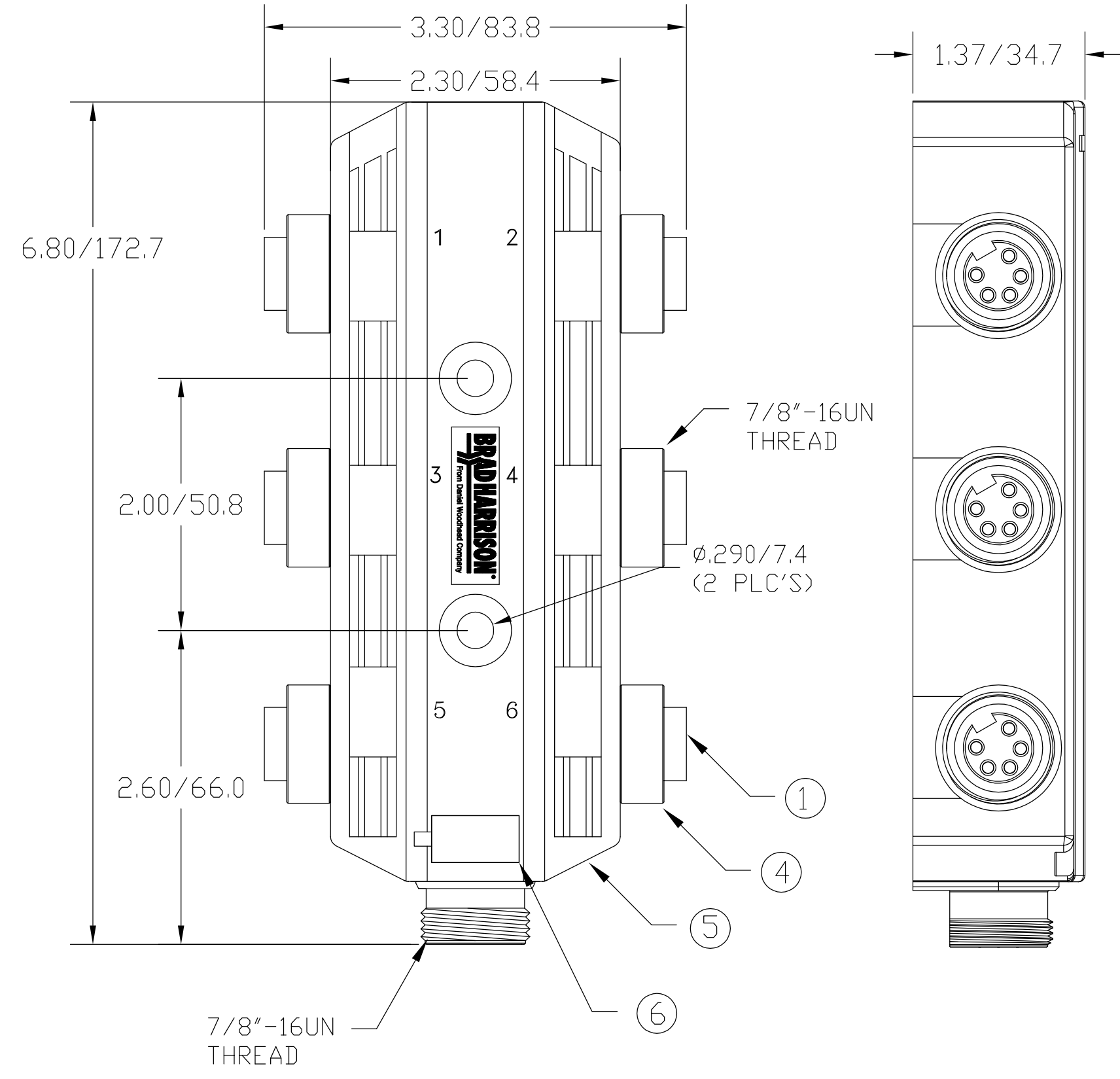
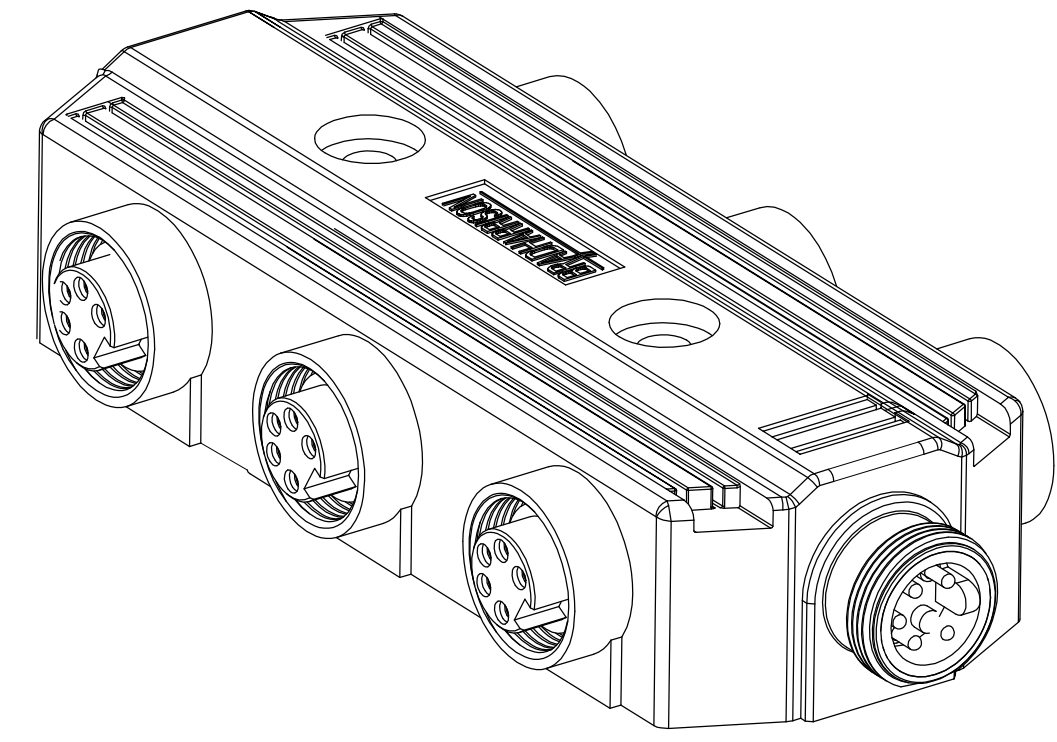
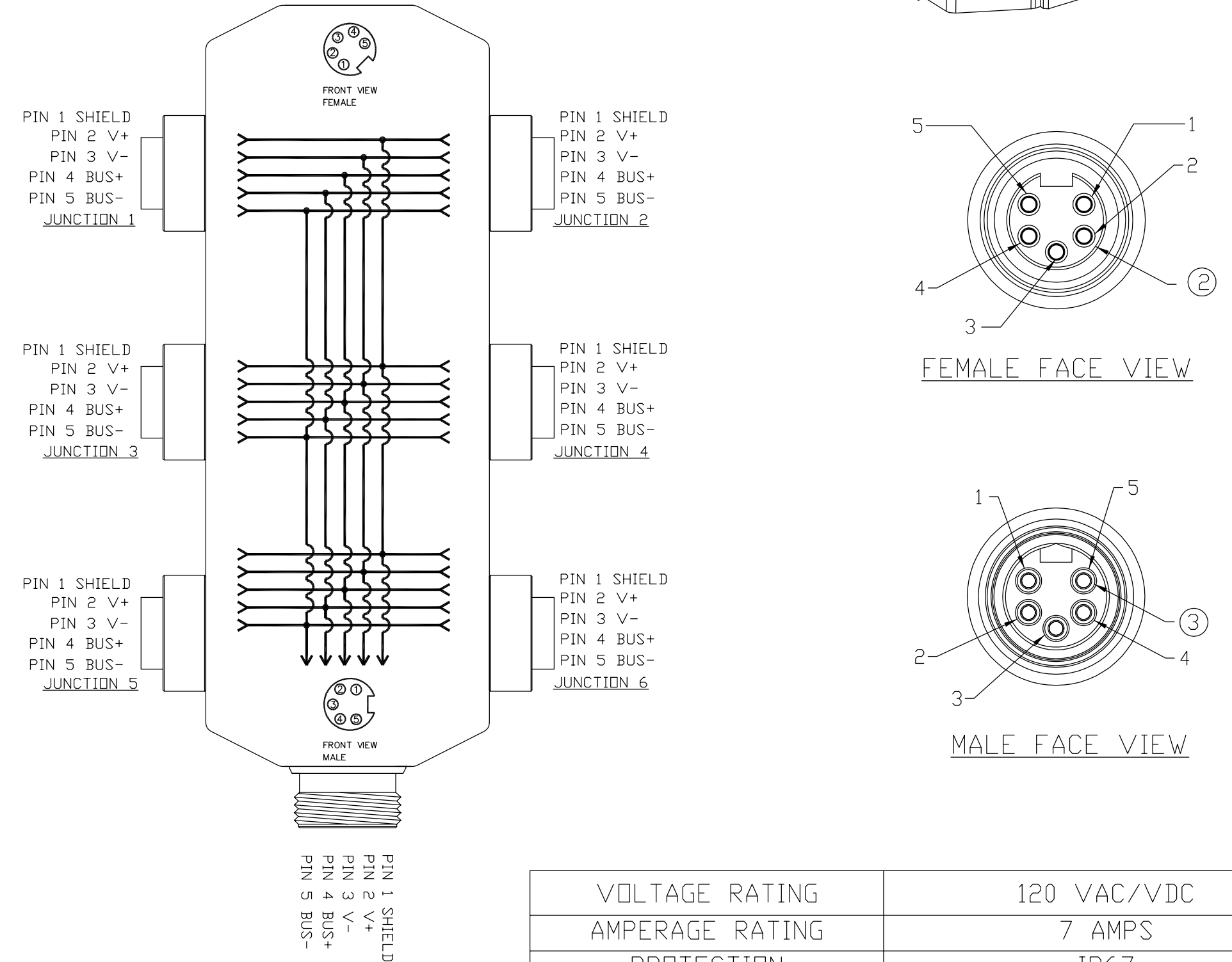


<b>MATERIAL NUMBER</b>	<b>OLD PART NUMBER</b>
130036-0008	DN6000



**SCHEMATIC**



VOLTAGE RATING	120 VAC/VDC
AMPERAGE RATING	7 AMPS
PROTECTION	IP67
OPERATING TEMPERATURE	0°C TO 60°C

ITEM	COMPONENT	MATERIAL	FINISH
1	INSERT	PVC	GRAY
2	CONTACT SOCKET	COPPER ALLOY	GOLD OVER NICKEL
3	CONTACT PIN	COPPER ALLOY	GOLD OVER NICKEL
4	RECEPTACLE SHELL	ZINC DIE CAST	BLACK E-COATED
5	HOUSING	PBT	BLACK
6	LABEL	ABS	WHITE
	POTTING MATERIAL	EPOXY	BLACK

**RLSD DRAWING**  
 EC NO: WNA2010-0020  
 DRWN: BWOODMAN 7/6/09  
 CH'KD: JM  
 APPR: JFMURPHY 2009/07/20  
 A REV

**QUALITY SYMBOL**  
 $\nabla=0$   
 $\sphericalangle=0$   
**GENERAL TOLERANCES (UNLESS SPECIFIED)**  

	mm	INCH
4 PLACES	±----	±----
3 PLACES	±----	±----
2 PLACES	±----	±.01
1 PLACE	±0.3	±----

 ANGULAR ±----°  
**DRAFT WHERE APPLICABLE MUST REMAIN WITHIN DIMENSIONS**

**DIMENSION STYLE**  
 IN/MM  
 DRAWN BY: BW DATE: 2009/07/06  
 CHECKED BY: TW DATE: 2009/07/06  
 APPROVED BY: DATE:

SCALE: ---  
 DESIGN UNITS: ---  
**THIRD ANGLE PROJECTION**  
**TITLE**  
 MINI 6 PORT DROP MPIS DEVICENET  
 MOLEX INCORPORATED  
 MATERIAL NO. SEE CHART  
 DOCUMENT NO. SD-130036-002  
 SHEET NO. 1 OF 1  
 THIS DRAWING CONTAINS INFORMATION THAT IS PROPRIETARY TO MOLEX INCORPORATED AND SHOULD NOT BE USED WITHOUT WRITTEN PERMISSION