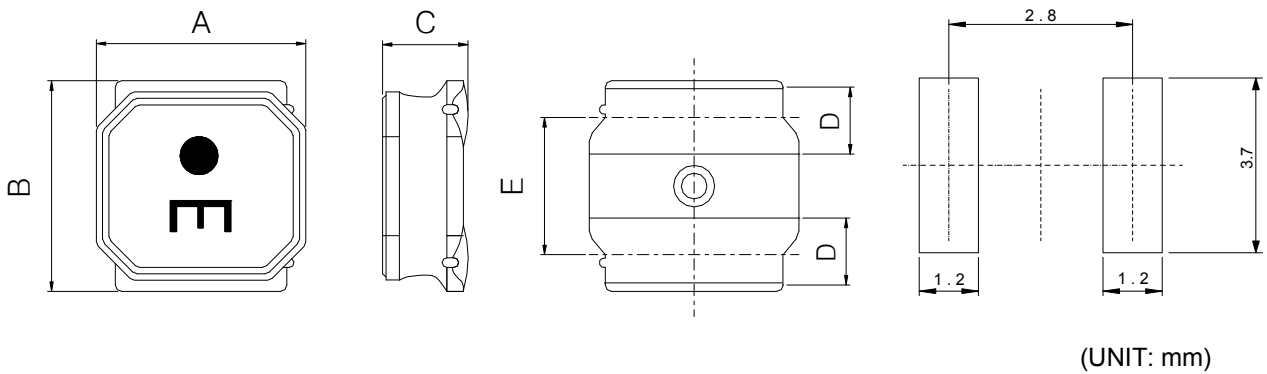


Recommended Land-



### ■ Dimensions: (mm)

| Part No.    | A         | B         | C        | D         | E         |
|-------------|-----------|-----------|----------|-----------|-----------|
| DJNR 4018-S | 4.0 ± 0.2 | 4.0 ± 0.2 | 1.8 Max. | 1.1 ± 0.2 | 2.5 ± 0.2 |

### ■ Series List

| No. | Part No.         | L<br>( $\mu$ H) | SRF<br>Min.<br>(MHz) | RDC<br>$\pm 20\%$<br>( $\Omega$ ) | Isat<br>Max.<br>(mA) | Irms<br>Max.<br>(mA) |
|-----|------------------|-----------------|----------------------|-----------------------------------|----------------------|----------------------|
| 1   | DJNR 4018-1R0N-S | 1.0             | 90                   | 0.027                             | 4000                 | 3200                 |
| 2   | DJNR 4018-1R5N-S | 1.5             | 75                   | 0.037                             | 3300                 | 2400                 |
| 3   | DJNR 4018-2R2M-S | 2.2             | 60                   | 0.042                             | 3000                 | 2200                 |
| 4   | DJNR 4018-3R3M-S | 3.3             | 45                   | 0.055                             | 2300                 | 2000                 |
| 5   | DJNR 4018-4R7M-S | 4.7             | 35                   | 0.070                             | 2000                 | 1700                 |
| 6   | DJNR 4018-6R8M-S | 6.8             | 30                   | 0.098                             | 1600                 | 1450                 |
| 7   | DJNR 4018-100M-S | 10              | 25                   | 0.150                             | 1300                 | 1200                 |
| 8   | DJNR 4018-150M-S | 15              | 18                   | 0.210                             | 1100                 | 850                  |
| 9   | DJNR 4018-220M-S | 22              | 15                   | 0.290                             | 900                  | 720                  |
| 10  | DJNR 4018-330M-S | 33              | 12                   | 0.460                             | 700                  | 550                  |
| 11  | DJNR 4018-470M-S | 47              | 10                   | 0.650                             | 600                  | 440                  |
| 12  | DJNR 4018-680M-S | 68              | 8                    | 1.000                             | 520                  | 320                  |
| 13  | DJNR 4018-101M-S | 100             | 6.5                  | 1.450                             | 420                  | 280                  |
| 14  | DJNR 4018-151M-S | 150             | 5.5                  | 2.300                             | 340                  | 220                  |
| 15  | DJNR 4018-221M-S | 220             | 4.0                  | 3.800                             | 275                  | 170                  |

1. Test Frequency : 100KHz

2. Tolerance : N  $\pm$  30% ; M  $\pm$  20%

3. Isat : The value of current causes a 30% inductance reduction from initial value.

4. Irms : The value of current causes a 40°C temperature rise.

5. Rated Current: Either Isat or Irms whichever is smaller.

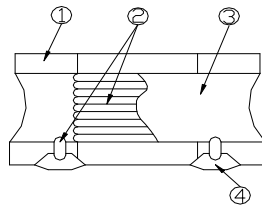
6. Operating Temperature Range : -25°C to +125°C (Including self-temperature rise)

7. Storage Temp. Range: -40°C to +85°C

### □ PACKAGE

| Type      | DJNR 4018-S |
|-----------|-------------|
| Q'TY/Reel | 3500        |

### ■ Structural Drawing

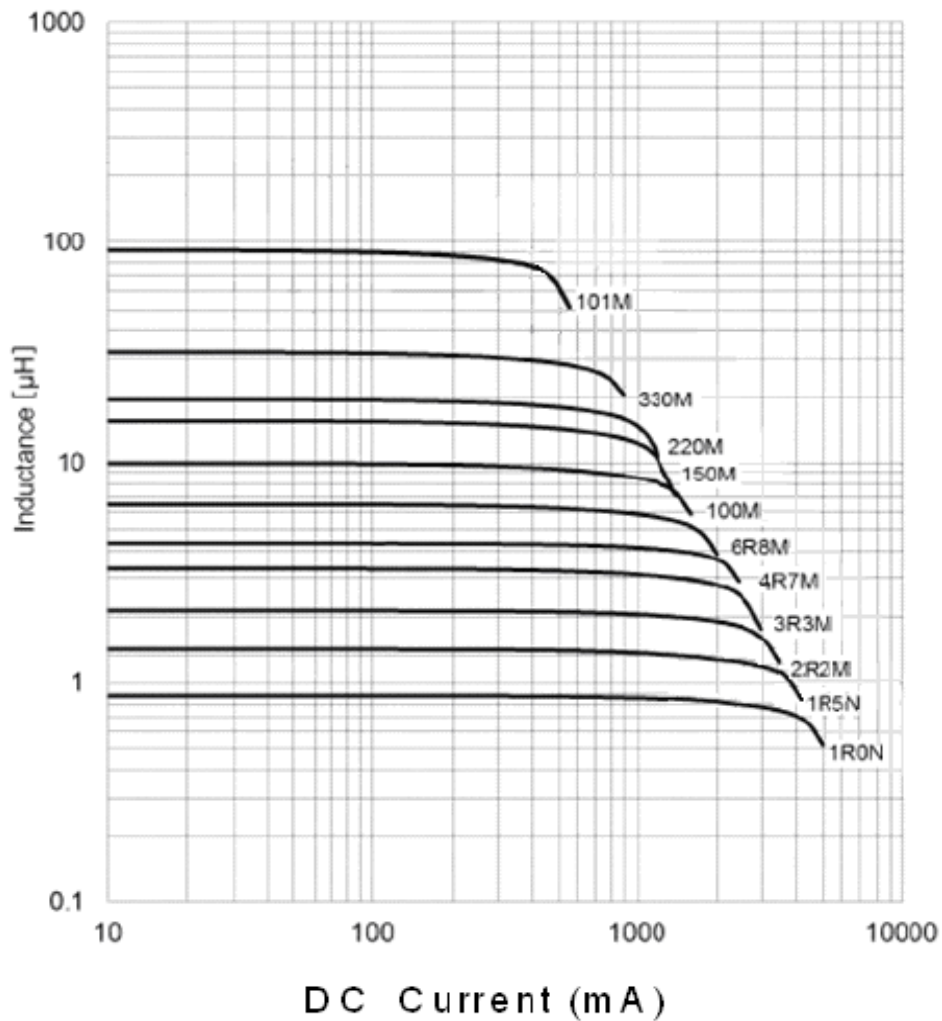


(Magnetic Shielded Type)

- |                       |   |          |
|-----------------------|---|----------|
| ① Ferrite core.       | Ni-Zn ferrite                                   |          |
| ② Winding wire        | Polyurethane-copper wire                        |          |
| ③ Over-coating resin. | Epoxy resin, containing ferrite powder          |          |
| ④ Electrode           | External electrode (substrate)                  | Ag       |
|                       | External electrode (base plating)               | Ni-Sn    |
|                       | External electrode (top surface solder coating) | Sn-Ag-Cu |

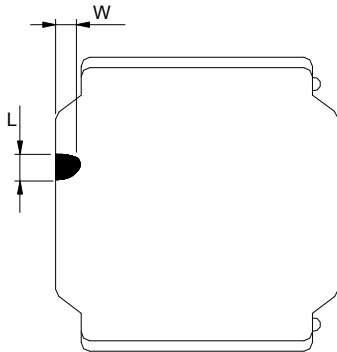
### ■ Electrical Curve

Inductance vs. DC Current



### ■ Core Chipping

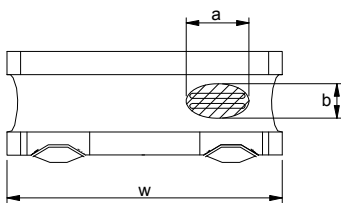
The appearance standard of the chipping size in top side, of bottom side ferrite Core is following dimension



| L         | W         |
|-----------|-----------|
| 1.0mmMax. | 1.0mmMax. |

### ■ Exposed wire tolerance limit of coating resin part on product side

Size of exposed wire occurring to coating resin is specified below.



- ① Width direction (dimension a): Acceptable when  $a \leq w/2$   
Nonconforming when  $a > w/2$
- ② Length direction (dimension b): Dimension b is not specified.
- ③ When total area of exposed wire occurring to each sides is not greater than 50% of coating resin area, that is acceptable.