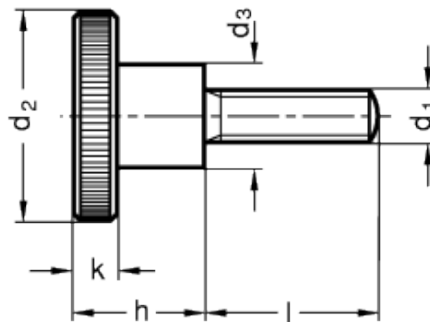


DIN 464-NI

Knurled grip knobs with threaded pin



INOX
Stainless Steel



technical informations

Material

AISI 303 stainless steel, sandblasted matte finish.

Assembly

Threaded pin.

Features and applications

All Stainless Steel-Knurled screws DIN 464 are produced from one piece and threaded over ist full length.

Standard Elements	Main dimensions				Threaded pin		Weight
	Description	d ₁	h	d ₃	k	d ₁	
DIN 464-M3-6-NI	12	7.5	6	3	M3	6	4
DIN 464-M3-10-NI	12	7.5	6	3	M3	10	4
DIN 464-M3-12-NI	12	7.5	6	3	M3	12	4
DIN 464-M3-16-NI	12	7.5	6	3	M3	16	4
DIN 464-M4-8-NI	16	9.5	8	6	M4	8	9
DIN 464-M4-10-NI	16	9.5	8	6	M4	10	9
DIN 464-M4-12-NI	16	9.5	8	6	M4	12	9
DIN 464-M4-16-NI	16	9.5	8	6	M4	16	9
DIN 464-M4-20-NI	16	9.5	8	6	M4	20	9
DIN 464-M4-25-NI	16	9.5	8	6	M4	25	9
DIN 464-M5-10-NI	20	11.5	10	7.5	M5	10	9
DIN 464-M5-12-NI	20	11.5	10	7.5	M5	12	16
DIN 464-M5-16-NI	20	11.5	10	7.5	M5	16	16
DIN 464-M5-20-NI	20	11.5	10	7.5	M5	20	16
DIN 464-M5-25-NI	20	11.5	10	7.5	M5	25	17
DIN 464-M5-30-NI	20	11.5	10	7.5	M5	30	18
DIN 464-M6-12-NI	24	15	12	10	M6	12	29
DIN 464-M6-16-NI	24	15	12	10	M6	16	29
DIN 464-M6-20-NI	24	15	12	10	M6	20	30
DIN 464-M6-25-NI	24	15	12	10	M6	25	31
DIN 464-M6-30-NI	24	15	12	10	M6	30	32
DIN 464-M6-35-NI	24	15	12	10	M6	35	32
DIN 464-M8-16-NI	30	18	16	12	M8	16	56
DIN 464-M8-20-NI	30	18	16	12	M8	20	60
DIN 464-M8-25-NI	30	18	16	12	M8	25	61
DIN 464-M8-30-NI	30	18	16	12	M8	30	61
DIN 464-M8-35-NI	30	18	16	12	M8	35	62



ELESA and GANTER models all rights reserved in accordance with the law. Always mention the source when reproducing our drawings.

STANDARD MACHINE ELEMENTS WORLDWIDE