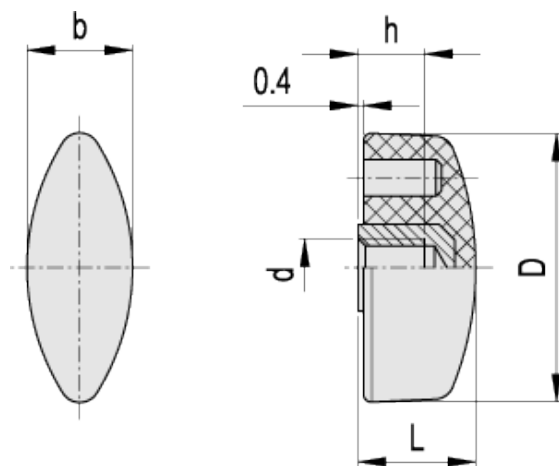


CT.476

Wing knobs



ELESA Original design



technical informations

Material

Glass-fibre reinforced polyamide based (PA) technopolymer. Resistant to solvents, oils, greases and other chemical agents.

Colour

Black, matte finish.

Standard execution

Brass boss, threaded blind hole.

Features and applications

These wing knobs allow high tightening torque values.

Standard Elements

Main dimensions

Mounting hole

C #

Weight

Code	Description	D	L	b	d _{6H}	h	[Nm]	g
8252	CT.476/20 B-M4	20	11	9.5	M4	6	6	3
8302	CT.476/25 B-M5	26	13	11	M5	6	8	4
8307	CT.476/25 B-M6	26	13	11	M6	6	10	4
8351	CT.476/30 B-M6	32	15	13	M6	8	15	7
8356	CT.476/30 B-M8	32	15	13	M8	8	20	8
8452	CT.476/40 B-M8	40	17	15.5	M8	8	24	10
8502	CT.476/48 B-M8	48	19	19	M8	10	30	14
8552	CT.476/56 B-M10	56	23	21	M10	13	32	17

"Max limit Tightening torque" means the max torque value at which the metal insert, in normal conditions of use, is perfectly and strongly anchored to the plastic material.



ELESA and GANTER models all rights reserved in accordance with the law. Always mention the source when reproducing our drawings.

STANDARD MACHINE ELEMENTS WORLDWIDE