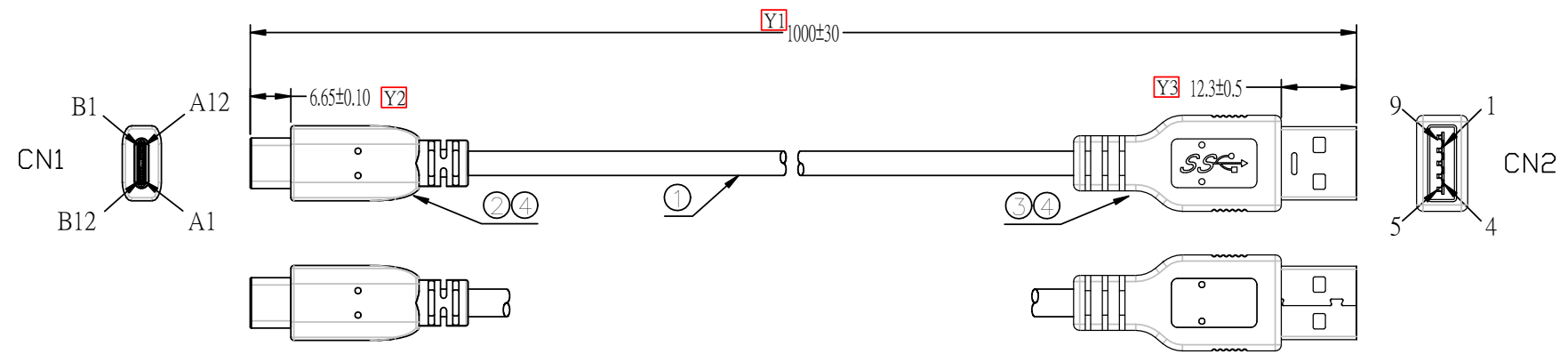


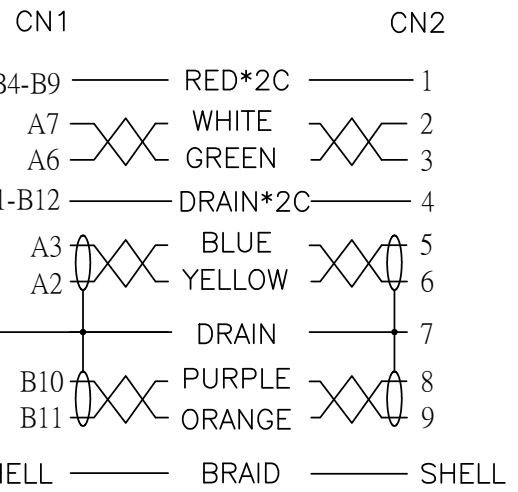
THE INFORMATION CONTAINED IN THIS DRAWING IS THE SOLE PROPERTY OF AMPHENOL CABLES ON DEMAND. ANY REPRODUCTION OR DISCLOSURE, TO THIRD PARTIES, IN PART OR WHOLE, WITHOUT THE EXPRESS WRITTEN PERMISSION OF AMPHENOL CABLES ON DEMAND IS PROHIBITED.

REV. NO.		DESCRIPTION	DATE	APPROVED
00		NEW RELEASE	15.09.29	QG



Data transfer rate up to 5Gbps (Nominal)
 Current rating up to 3A (Nominal)
 Voltage rating up to 20V (Nominal)

CONNECTION



MATERIALS LIST:

- CABLE:UL2725 (7/0.085TA*1PR+EAM)*2+7/0.08TA*1PR +19/0.10TA*2C+19/0.1TA*2+Conductive film(PE)+B85% OD:4.0mm JACKET PVC COLOR:BLACK(S150625007)
- CONNECTOR:USB TYPE C/M,INSULATOR BLACK,NICKEL PLATED SHELL, PIN GOLD PLATED.
- CONNECTOR:USB3.1 A/M,INSULATOR BLUE,NICKEL PLATED SHELL, PIN GOLD PLATED.
- PVC MOLDED:V398 45P BLACK

ELECTRONIC TEST:

A.OPEN/SHORT/INTERMITTENCE: 100%.

REMARK:

- ALL MATERIALS TO MEET RoHS
- CHECK IMPORTANT SIZE:Y1&Y3



UNLESS OTHERWISE SPECIFIED DIMENSIONS ARE IN INCHES TOLERANCES ARE: DECIMALS X ±X ANGLES ± X .XX ±.XX .XXX ±.XXX THIRD ANGLE PROJECTION	EAR NO.	Amphenol Cables on Demand	
	APPROVALS	DATE	20 VALLEY ST. ENDICOTT, NY 13760
	DRAWN	Zengde	15.09.29
	CHECKED	qingguo	15.09.29
	RESP ENG		CS-USB3.1TYPC-001M
	MFG ENG		
SIZE A	DWG. NO.	CS-USB3.1TYPC-001M	
CAD FILE:		SCALE	SHEET 1 OF 1

NOTES: UNLESS OTHERWISE SPECIFIED