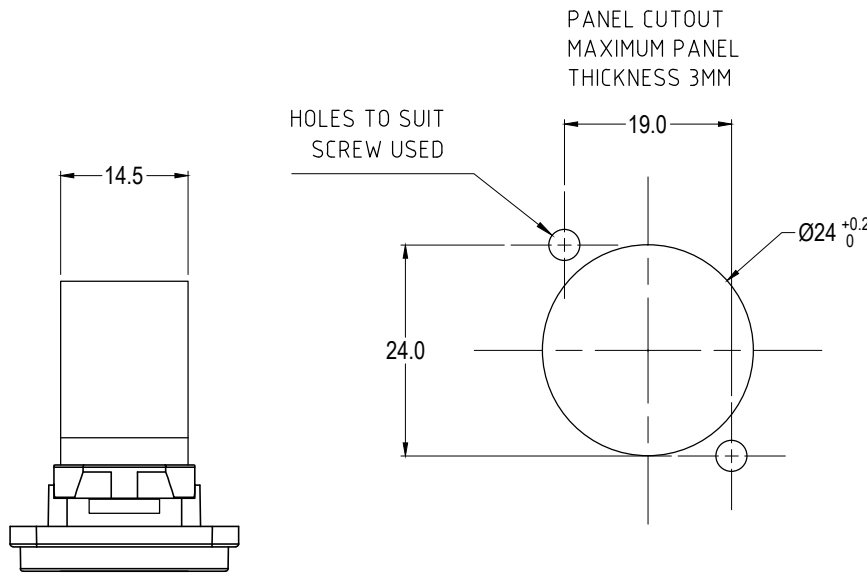
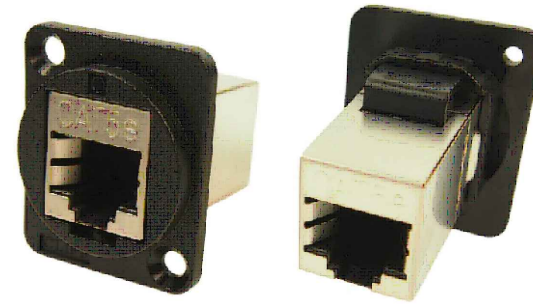


ISS.	AMEND	DATE
1	ISSUED	12/02/2015



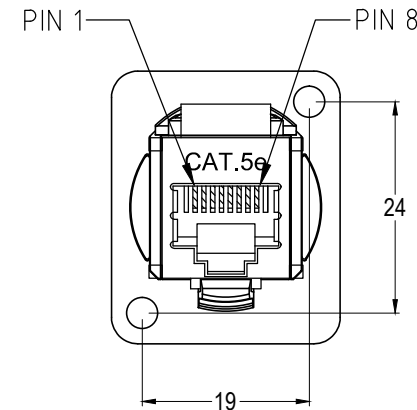
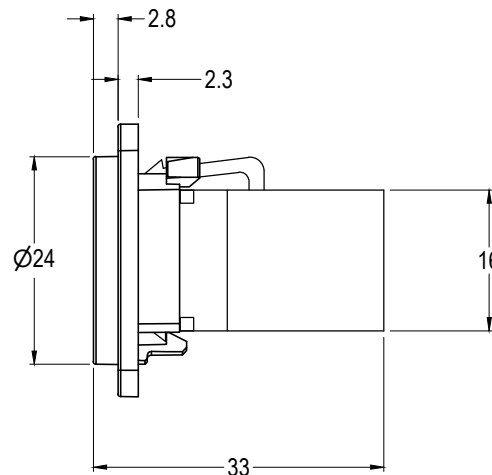
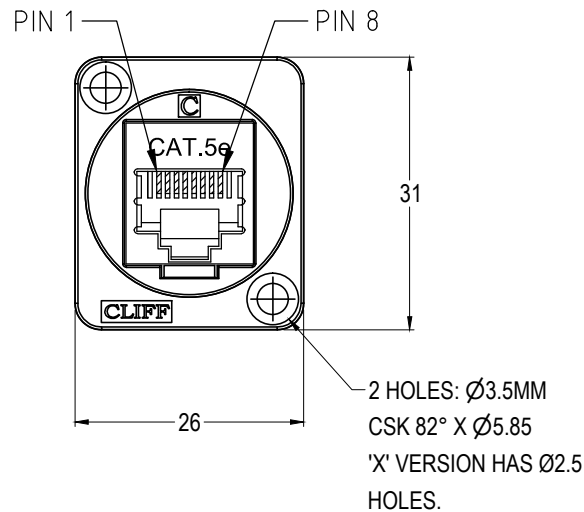
Material:

1. RJ45 In-Line Coupler: PC/ABS, UL 94V-0, Black color
2. RJ45 In-Line Coupler Contact: Phosphor Bronze, 3-50 micro inches gold plating over nickel plate.
3. PCB: FR4, UL 94V-0
4. Frame: Polyamide UL94V-2

Performance:

1. T568A & T568B wiring.
2. Meet ISO/IEC 11801 and EN50173
3. Meet ANSI/TIA/EIA 568B.2

VARIANTS	
PART NO.	HOLE DETAILS
CP30220S	HOLE $\varnothing 3.50$ X CSK 82° X $\varnothing 5.85$
CP30220SX	PLAIN HOLE $\varnothing 2.50$



RoHS
COMPLIANT

TOLERANCE
NO DEC. PLACE \pm
1 DEC. PLACE \pm
2 DEC. PLACE \pm
HOLE \varnothing \pm
ANGLES \pm
UNLESS OTHERWISE STATED

DO NOT SCALE

Cliff Electronic Components Ltd.

76 Holmehorpe Avenue, Holmehorpe Industrial Estate,
Redhill, Surrey, RH1 2PF, England, UK
Tel: 01737-771375 Fax: 01737-766012 Website: www.cliffuk.co.uk

DIMENSIONS IN MILLIMETERS UNLESS OTHERWISE STATED. WORK TO DIMENSIONS. REMOVE ALL BURRS. IF IN DOUBT ASK.

3rd ANGLE PROJECTION:

MATERIAL: See Notes

FINISH: See Notes

DRAWN: D.P.J.

APPROVED: D.P.J.

TITLE: FEED THROUGH FTP Cat5e RJ45 SHIELDED

DRWG. No. CP30220S

FORM: A4DRWGH