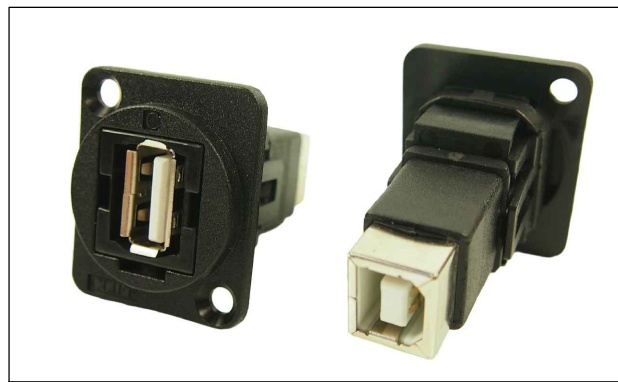
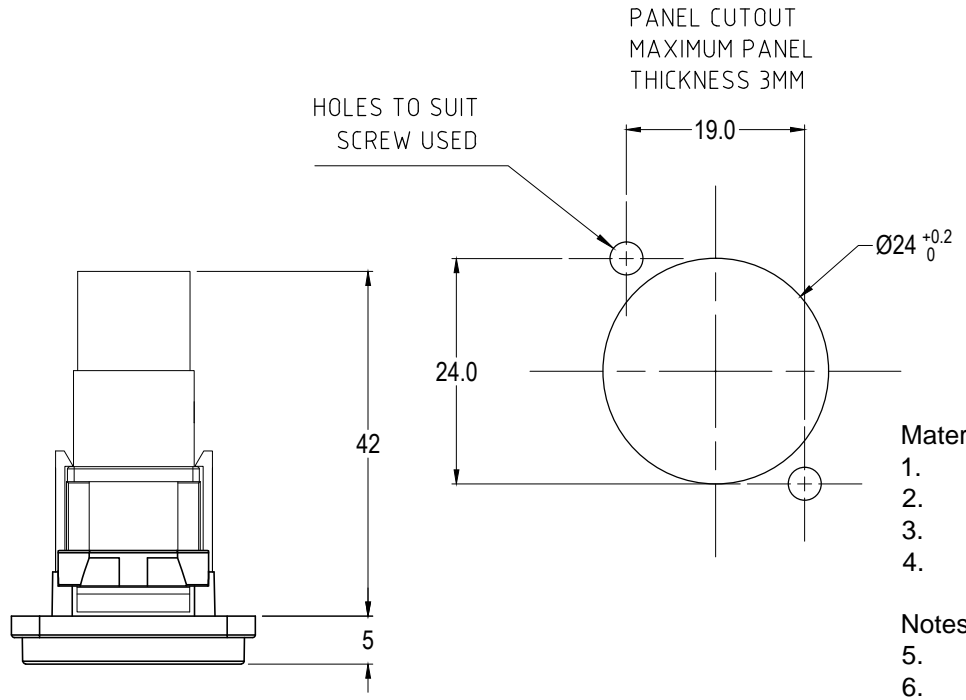


ISS.	AMEND	DATE
1	ISSUED	21/04/2015



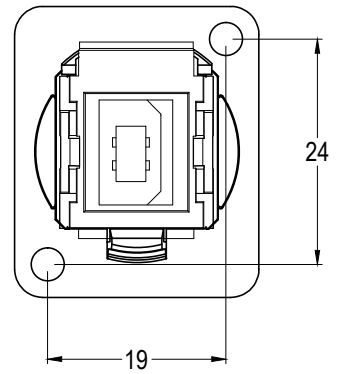
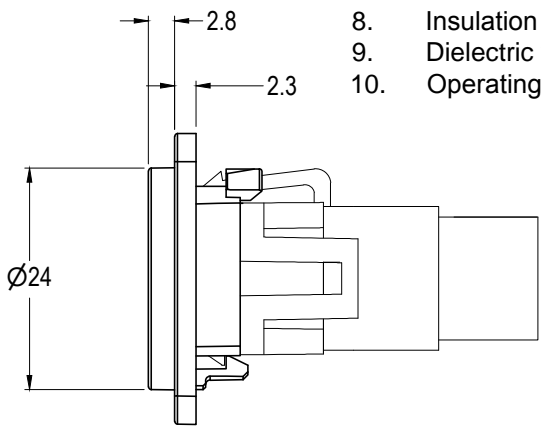
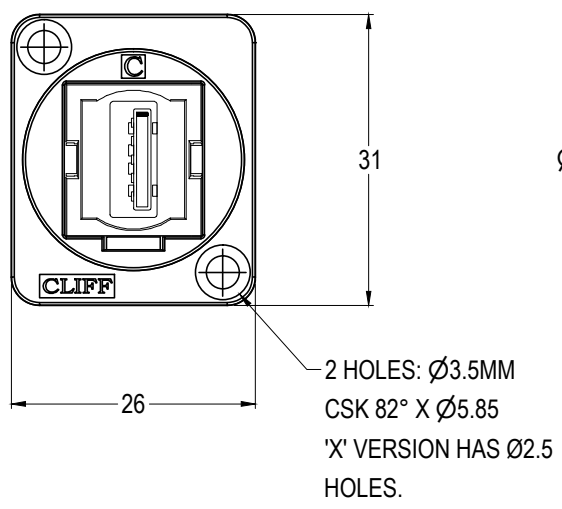
Material:

1. Insert: ABS
2. Frame: Polyamide UL94V-2
3. Shell: Nickel plated steel
4. Contacts: Gold Plated

Notes:

5. Voltage rating: 30V ac
6. Current rating: 1.5 A max
7. Contact resistance: 50mΩ max
8. Insulation resistance: 20MΩ min
9. Dielectric withstanding voltage: 500V AC
10. Operating Temperature: -20°C to 50°C

VARIANTS	
PART NO.	HOLE DETAILS
CP30209N	HOLE Ø3.50 X CSK 82° X Ø5.85
CP30209NX	PLAIN HOLE Ø2.50



RoHS COMPLIANT

TOLERANCE

NO DEC. PLACE ±
 1 DEC. PLACE ±
 2 DEC. PLACE ±
 HOLE Ø ±
 ANGLES ±
 UNLESS OTHERWISE STATED