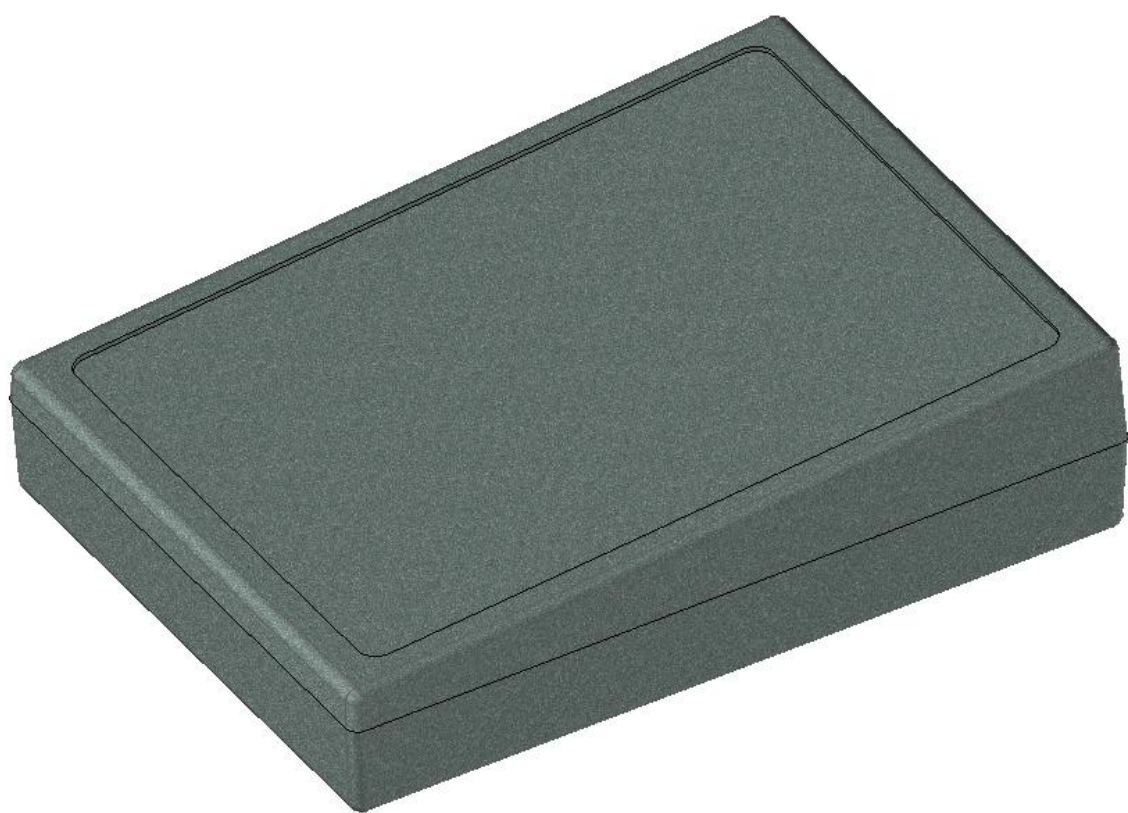
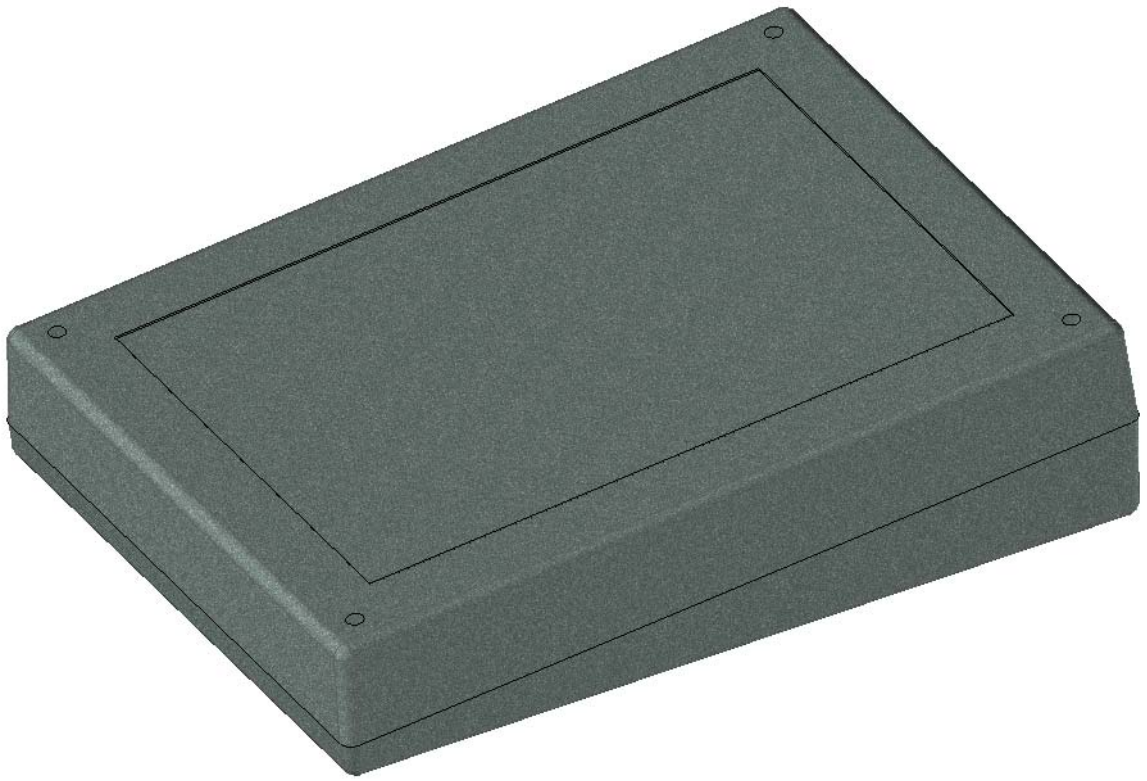
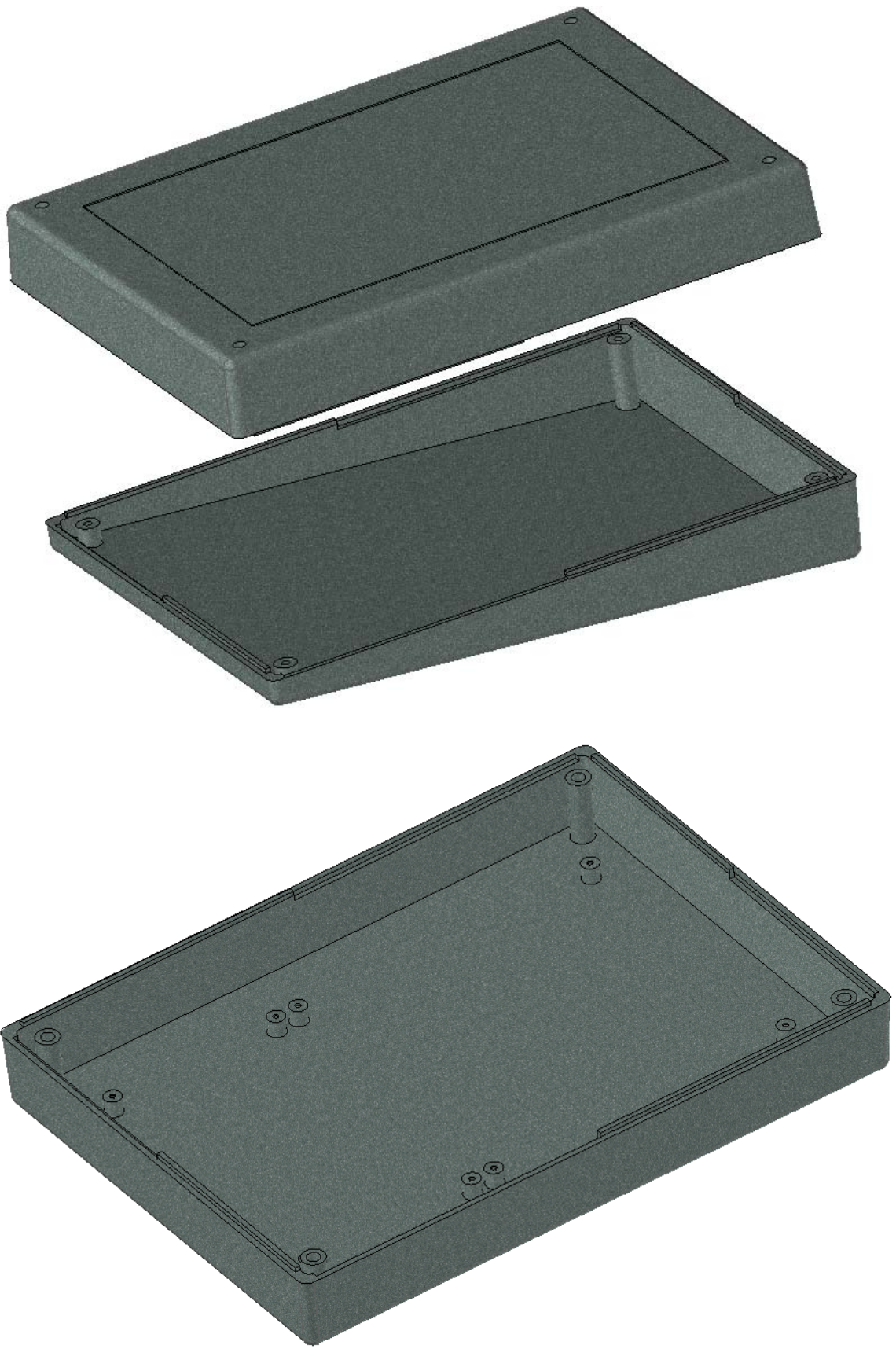


| | | |
|----------------|--------|----------------------------|
| Model produktu | Z-33 B | |
| Format: | A4 | Materiał: Polystyrene (PS) |
| Skala: | 1:1 | Tolerancja: +/- 0.1 |

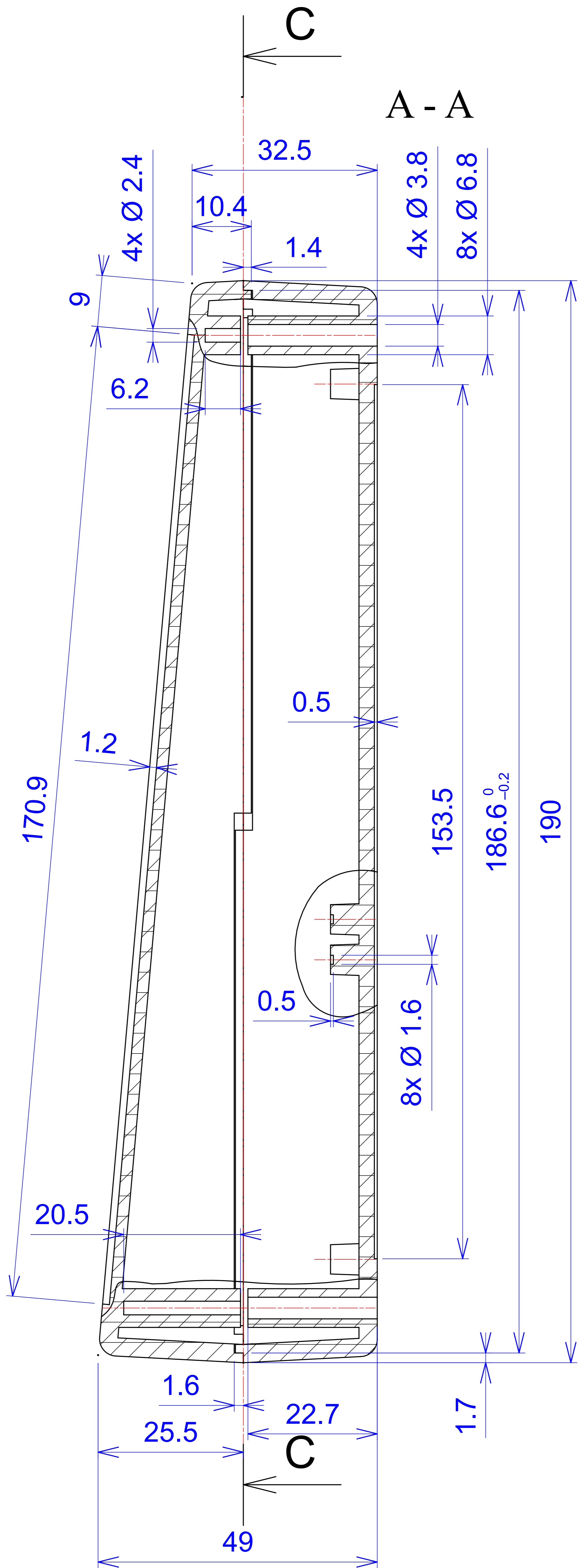


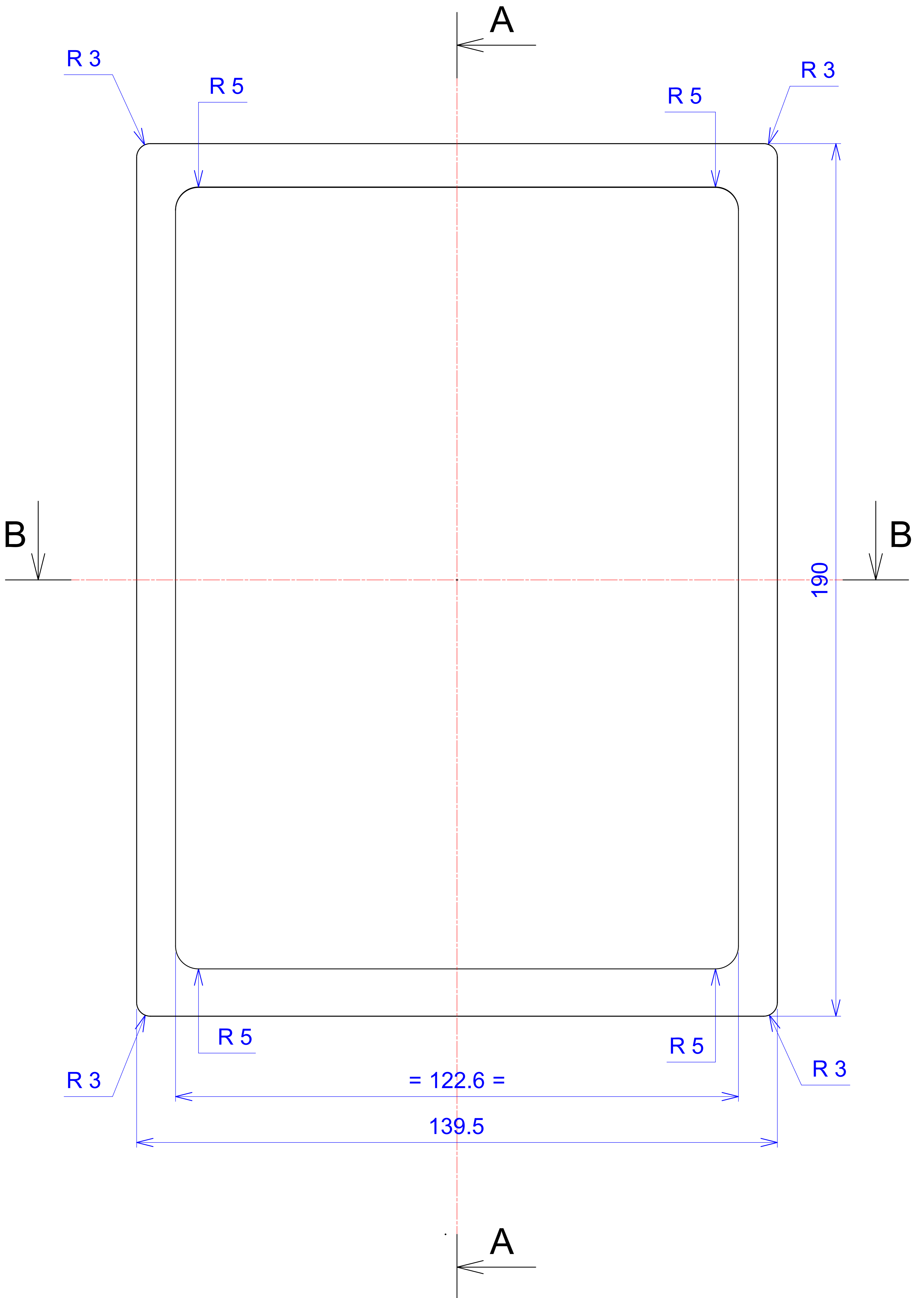


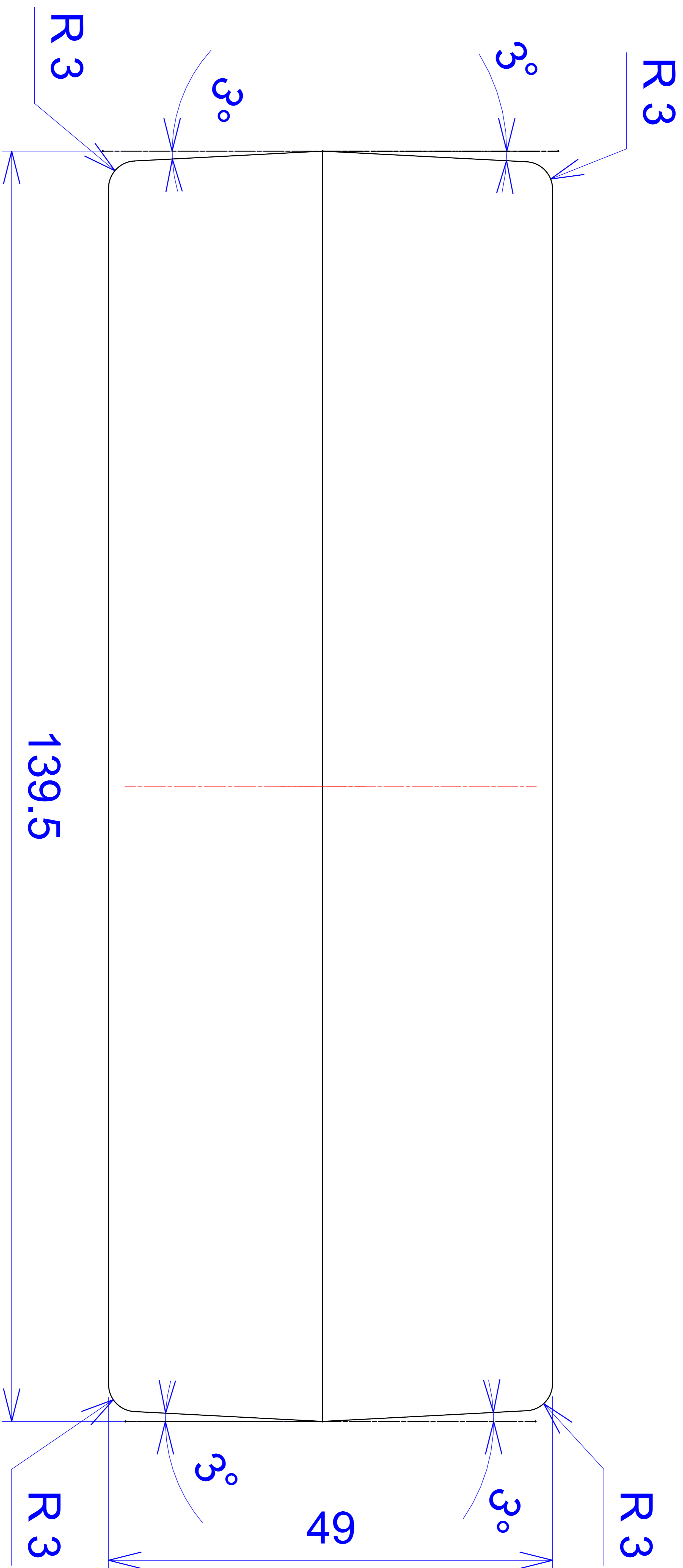


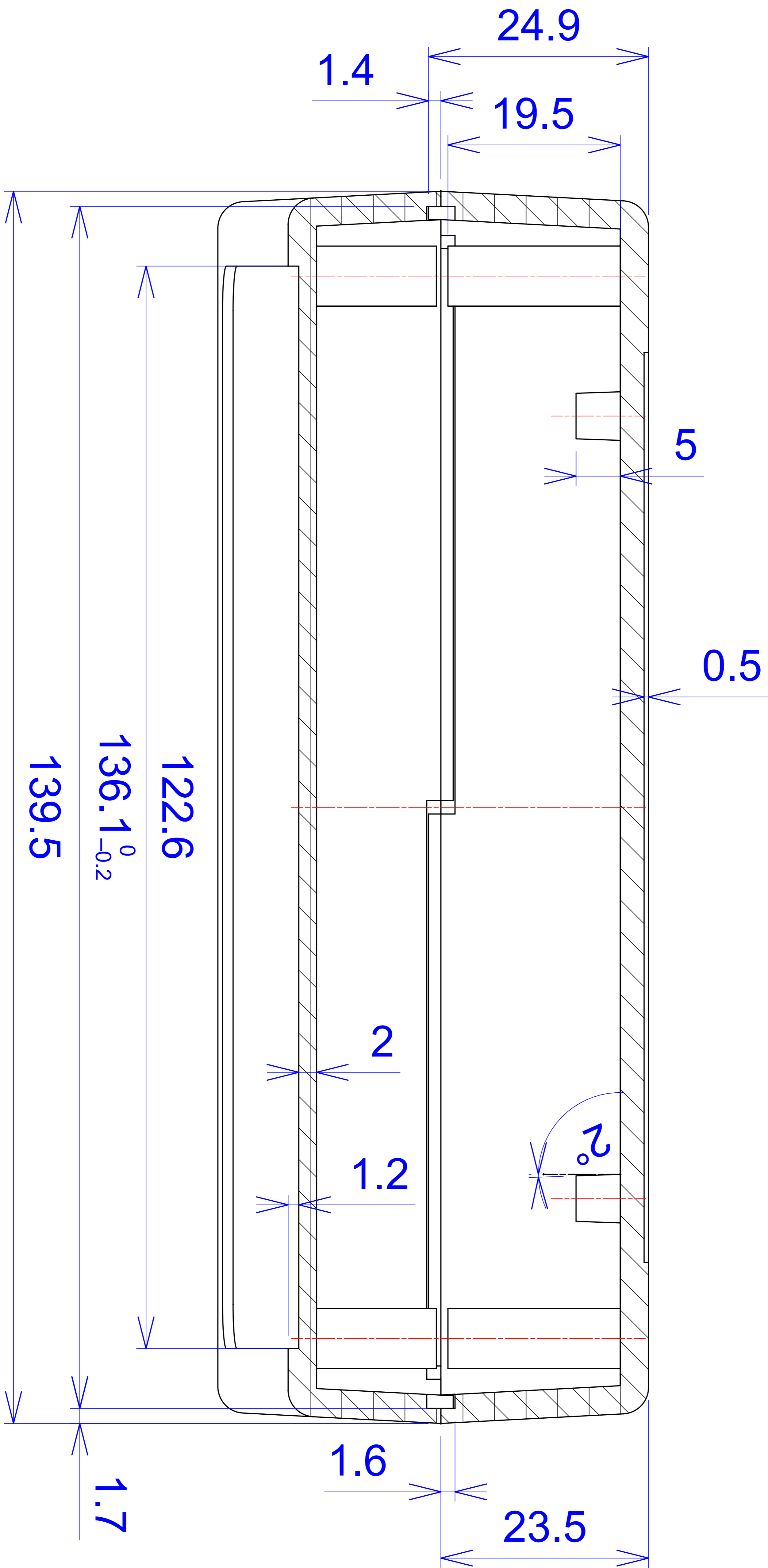




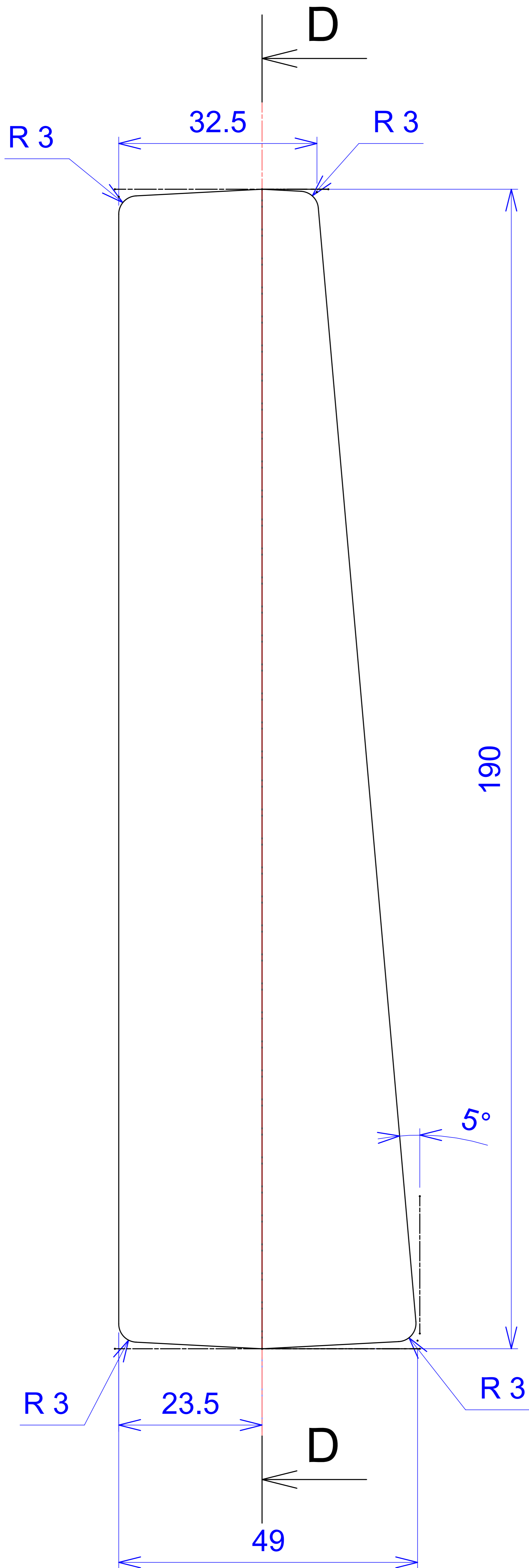


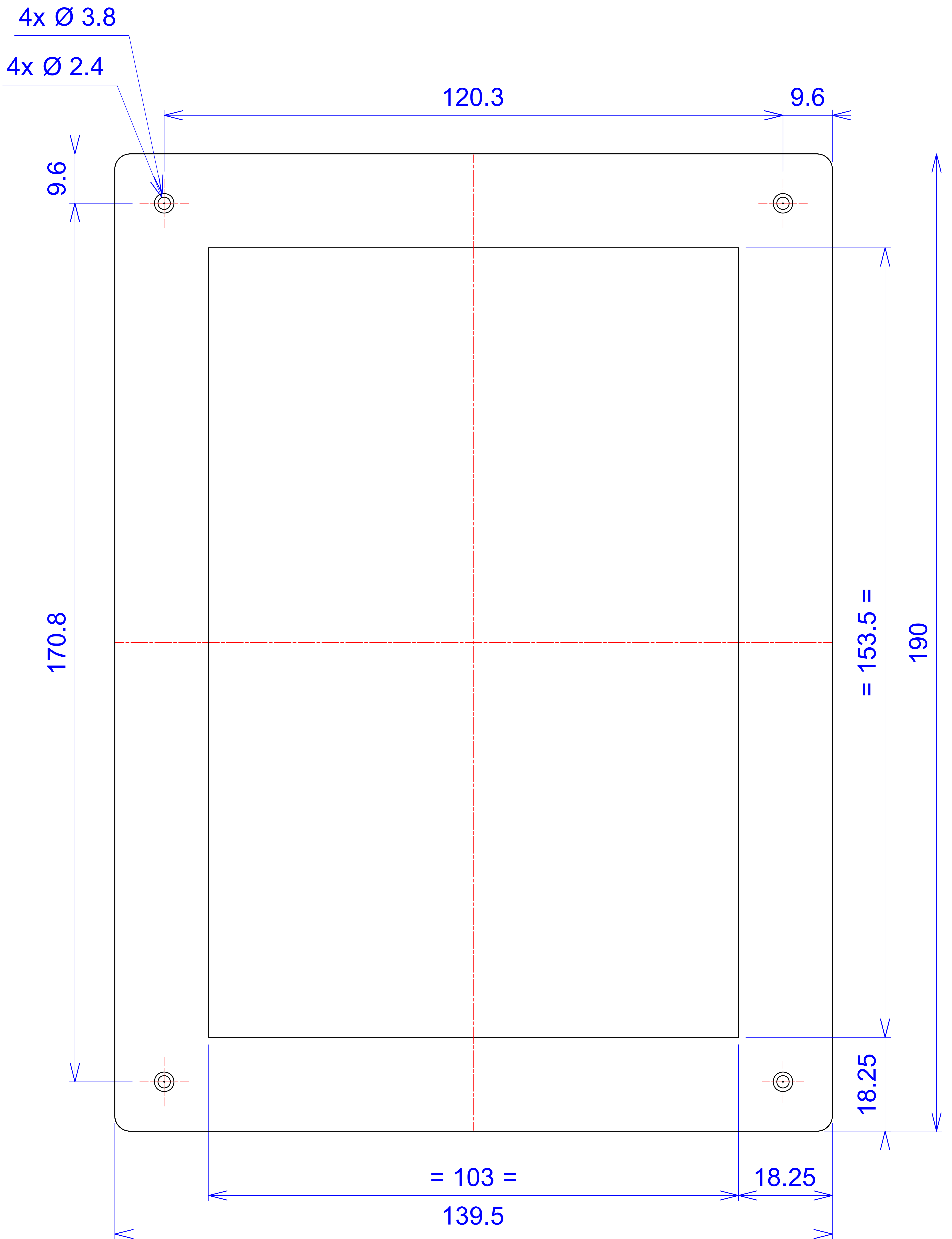






B - B





C - C

