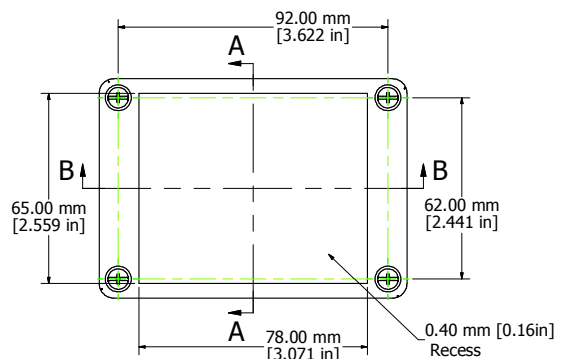
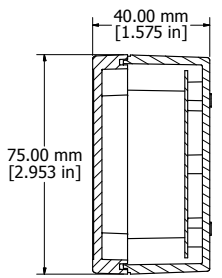


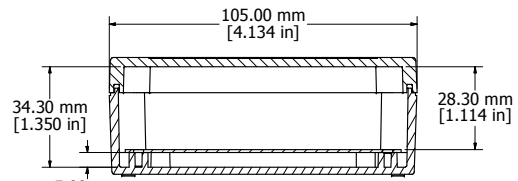
8 | 7 | 6 | 5 | 4 | 3 | 2 | 1



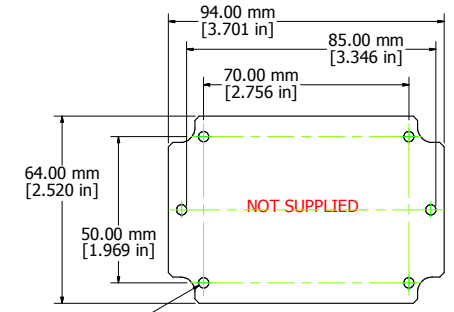
ASSEMBLY - TOP



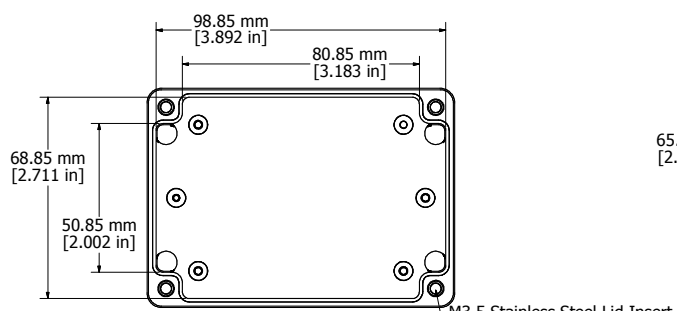
SECTION A-A



SECTION B-B

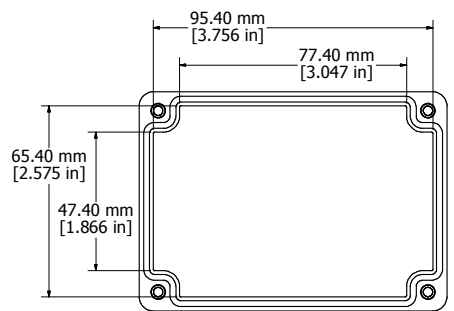


INNER PANEL



BOX - INSIDE

M3.5 Stainless Steel Lid Insert  
Type 304 Stainless 4X



LID - INSIDE

<b>CP-RP1085</b>
Material: ABS (UL94-HB), Light Gray Color
Lid Screws: M3.5 x 10, 304 Stainless
Gasket: EDPM Cord.
Circuit Board Screws Supplied (M3 self tap)
Suggested Lid Screw Torque: 30ozf-in (21cN-m)



8 | 7 | 6 | 5 | 4 | 3 | 2 | 1