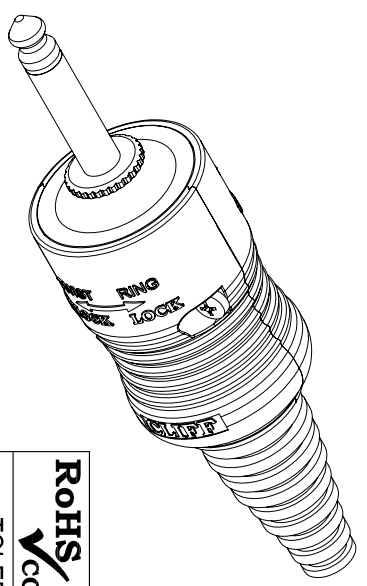
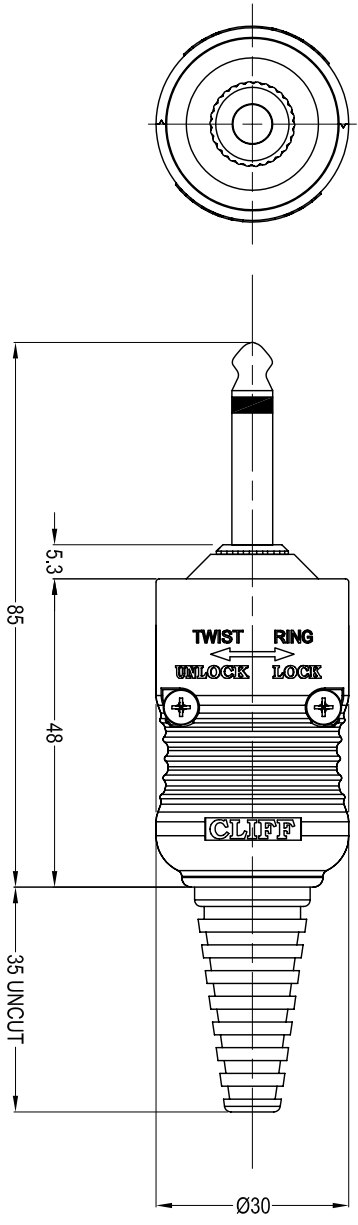


PACK 1 SET IN ZIP TOP POLY BAG

No.	PART NUMBER	DESCRIPTION	COLOUR	QTY
1	FCR6950SA4	TOP COVER	BLACK	1
2	FCR6950SA5	BOTTOM COVER	BLACK	1
3	FM1000	COLLAR	BLACK	1
4	FCR6950SA7	CABLE GRIPS	BLACK	1
5	FCR6950SA8	No. 4 x 9mm SELF TAP SCREW	BLACK	4
6	FCR6935SA12	GROMMET	BLACK	1
7	FM10021	PROBE ASSEMBLY (MONO)	-	1
8	CL2075SA1	CLIFFCON JUMBO JACK ASSEMBLY GUIDE	-	1
9	OD1597091	POLY BAG 102mm x 140mm ZIP TOP	-	1



ROHS COMPLIANT

TOLERANCE
 NO DEC. PLACE ±
 1 DEC. PLACE ±
 2 DEC. PLACE ±
 HOLE Ø ±
 ANGLES ±
 UNLESS OTHERWISE STATED

DO NOT SCALE

Cliff Electronic Components Ltd.
 76 Holmehorpe Avenue, Holmehorpe Industrial Estate,
 Redhill, Surrey, RH1 2PF, England, UK
 Tel: 01737-771375 Fax: 01737-766012 Website: www.cliffuk.co.uk

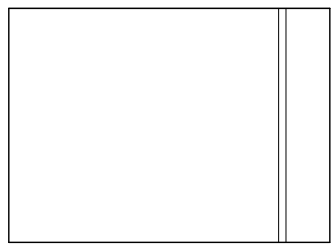
DIMENSIONS IN MILLIMETERS UNLESS OTHERWISE STATED. WORK TO DIMENSIONS. REMOVE ALL BURRS. IF IN DOUBT ASK.

MATERIAL: SEE PART DRAWINGS
 FINISH: CLEAN
 DRAWN: NUB APPROVED: RWT

TITLE: CLIFFCON JUMBO JACK 1/4" MONO JACK PLUG
 DRWG. No. **CL 2075**

FORM: AADRWH

THE CONTENTS OF THIS DOCUMENT MUST NOT BE COPIED OR DISCLOSED TO A 3rd PARTY WITHOUT WRITTEN PERMISSION OF CLIFF UK. © 2012



ISS.	AMEND	DATE
1	ISSUED	04/10/2012