

DETAILS

Product Number	CA11256_STRADA-DW
Family	Strada-D
Type	Assembly
Color	clear
Diameter	19,6 x 15,7 mm
Height	9 mm
Style	rectang
Optic Material	PMMA
Holder Material	
Fastening	screw, pin, tape
Status	ready
ROHS Compliant	Yes
Date Updated	19/06/2014



OPTICAL PROPERTIES

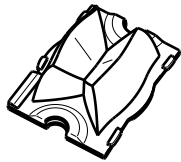
LED	Viewing Angle	Light Beam	Efficiency	cd/lm	Connector
Double Dome (GM2BB)	sim: 86+141	Streetligh...	92 %	-	-
Z5	sim: 86+141	Streetligh...	92 %	-	-
LUXEON H50-2	sim: 80+136	Streetligh...	sim: 93 %	sim: 1.100	-
LUXEON TX	54+144 deg	Streetligh...	94 %	0.980	-
NVSxx19A	86+148 deg	Streetligh...	92 %	-	-
LUXEON Rebel ES	86+140 deg	Streetligh...	92 %	-	-
LUXEON T	86+144 deg	Streetligh...	93 %	0.900	-
NCSxx19A	86+148 deg	Streetligh...	92 %	-	-
LUXEON Rebel	86+140 deg	Streetligh...	92 %	1.010	-
H35C0 (LEMWA33)	86+147 deg	Streetligh...	94 %	0.900	-
LUXEON A	86+140 deg	Streetligh...	92 %	-	-
XP-G	88+148 deg	Streetligh...	92 %	0.840	-
XP-E	90+140 deg	Streetligh...	92 %	1.030	-
Oslon SSL 150	92+142 deg	Streetligh...	92 %	-	-
Oslon SSL 80	92+142 deg	Streetligh...	92 %	0.970	-

D

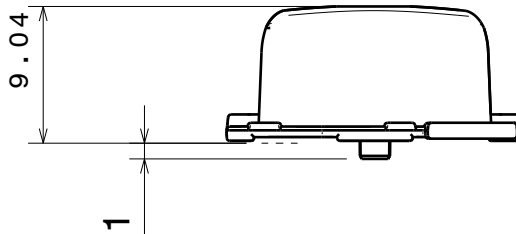
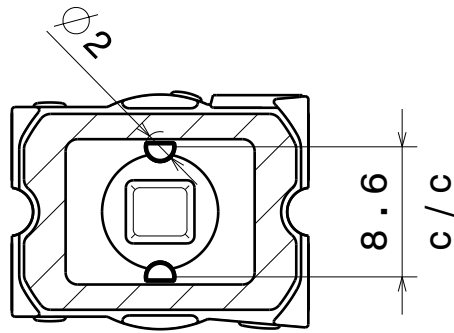
C

B

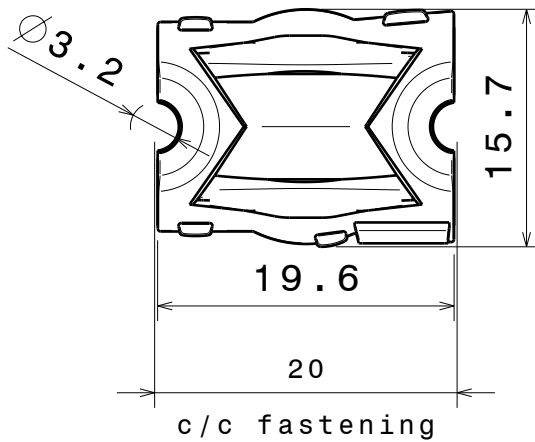
A



Isometric view
Scale: 1:1



Front view



Top view

Material:
lens PMMA
tape PU foam with PSA

This drawing is our property.
It can't be reproduced
or communicated without
our written agreement.



L
T
F
F

e
e
i
i
N
n

d

DRAWING TITLE

Datasheet Strada-DW assy

DRAWN BY p	DATE 14.01.2010
---------------	--------------------

CHECKED BY t k	DATE 01.12.2009
-------------------	--------------------

SIZE A4	DRAWING NUMBER CA11256	REV 1
------------	---------------------------	----------

DESIGNED BY hh	DATE 01.12.2009
-------------------	--------------------

SCALE 2:1	WEIGHT (g)	SHEET 1/1
--------------	------------	--------------

D

A

4

4

3

3

2

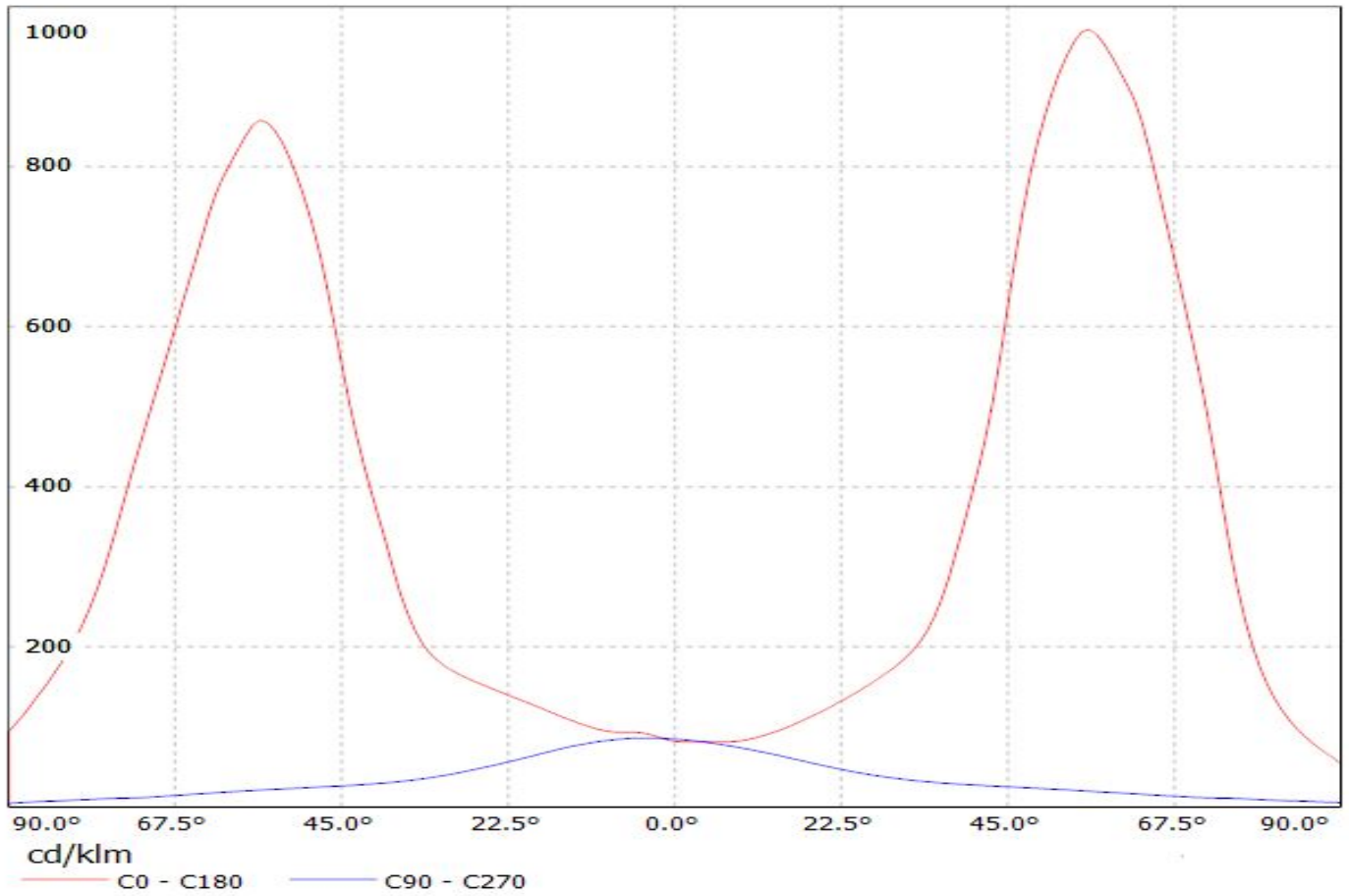
2

1

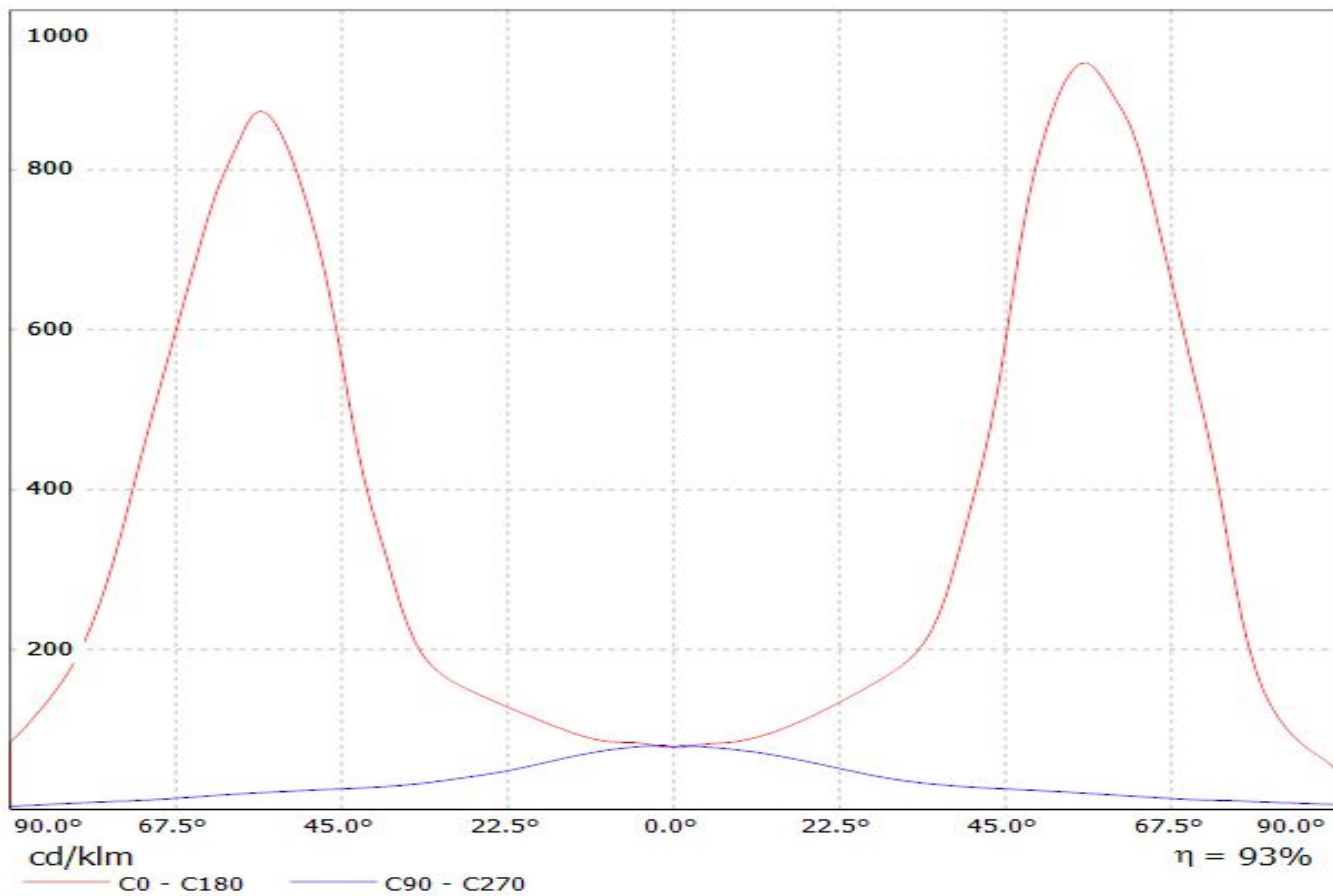
1

Luminaire: LEDiL Oy CA11256_STRADA-DW_(Luxeon_TX)

Lamps: 1 x Luxeon_TX_(L1T2-3585)_81.3157lm@250mA_CCT=3500K_P=0.742403W_I=249.9mA

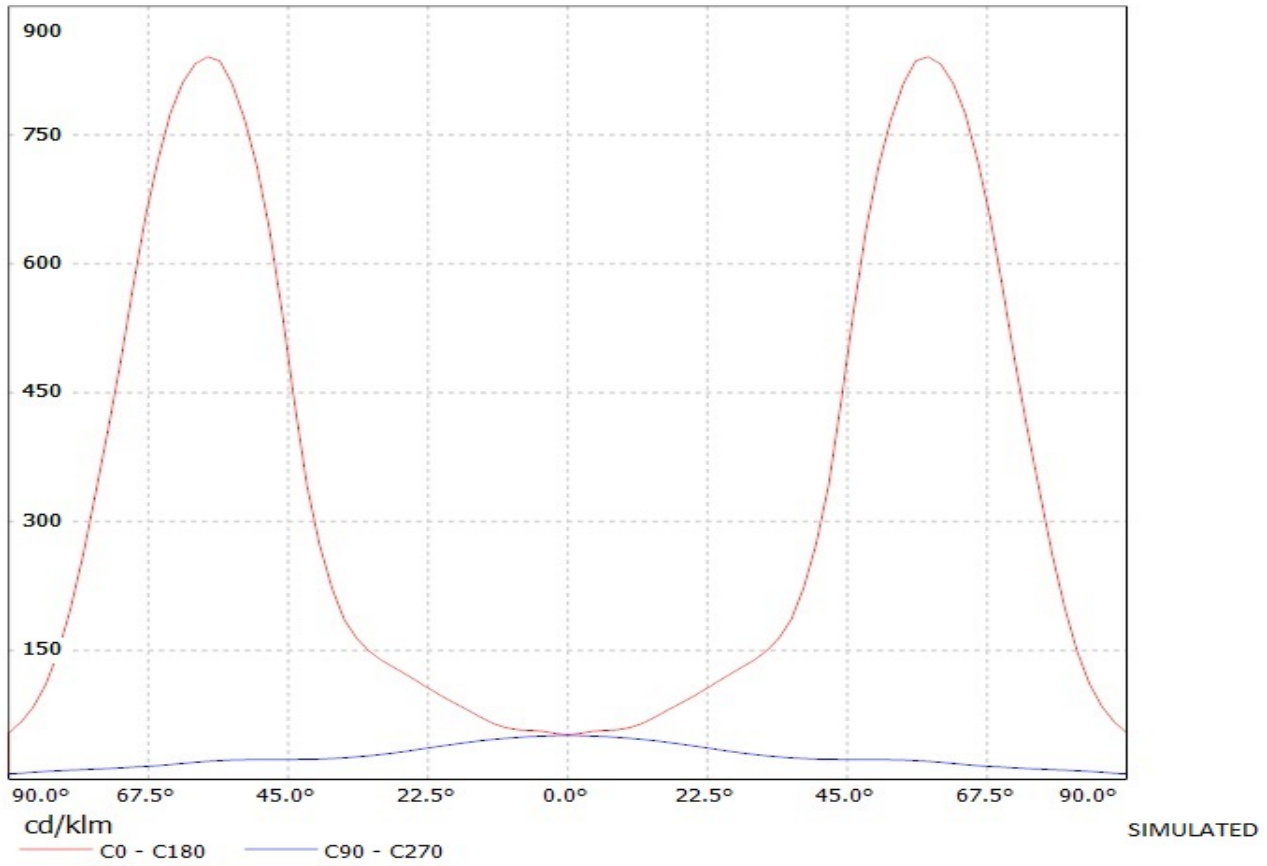


Luminaire: LEDiL Oy CA11256_STRADA-DW_(LUXEON_T) Eff.92.6%
Lamps: 1 x LUXEON T (74lm@250mA)



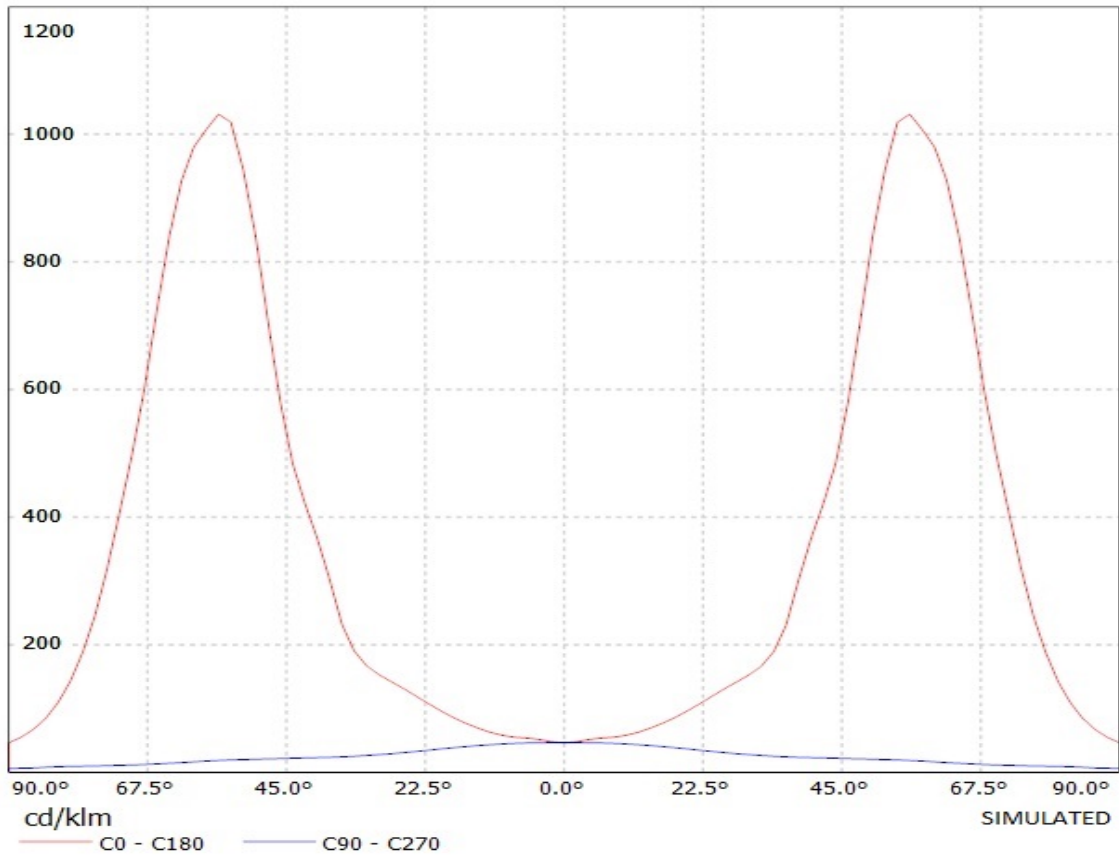
Ledil Oy C11255_Strada-DW-XP-G C11255_Strada-DW-XP-G / LDC (Linear)

Luminaire: Ledil Oy C11255_Strada-DW-XP-G C11255_Strada-DW-XP-G
Lamps: 1 x Cree XP-G (White)



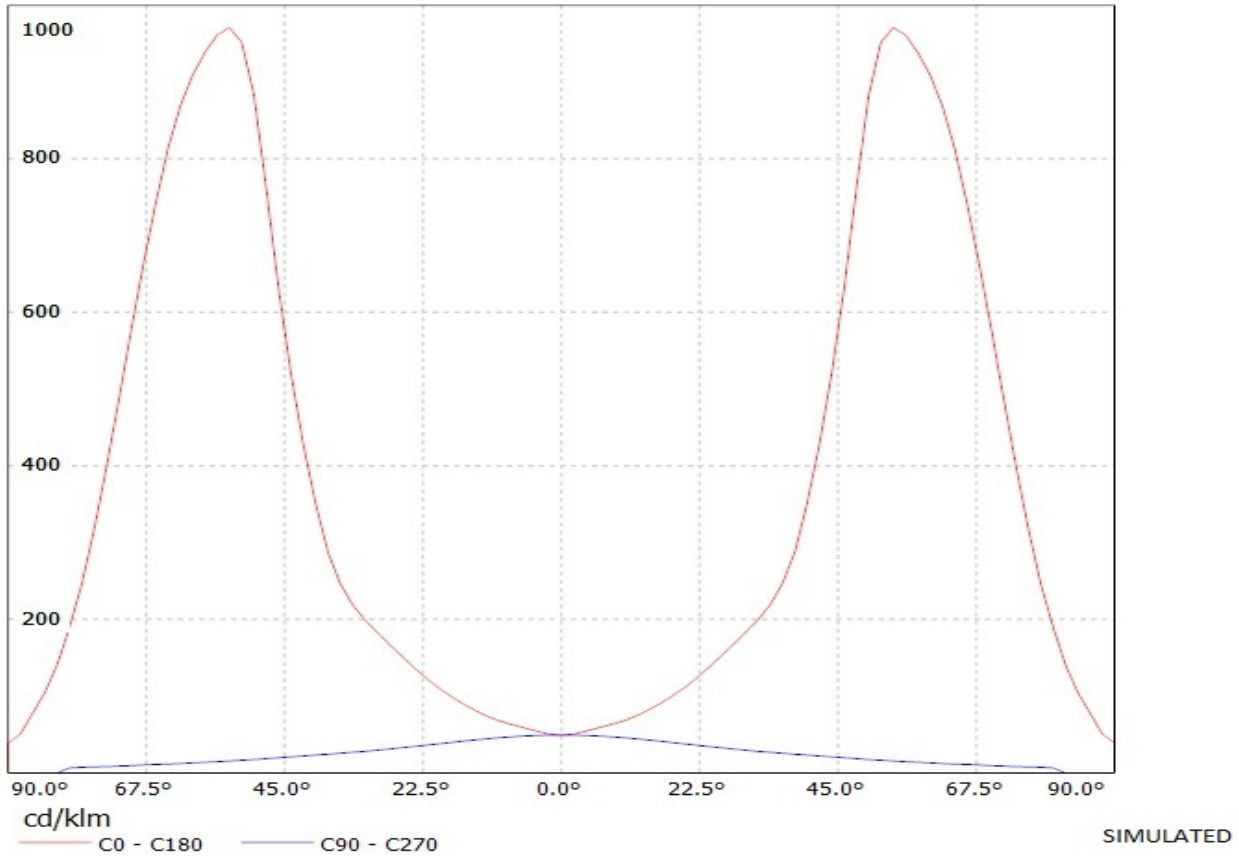
Ledil Oy C11255_Strada-DW-XP C11255_Strada-DW-XP / LDC (Linear)

Luminaire: Ledil Oy C11255_Strada-DW-XP C11255_Strada-DW-XP
Lamps: 1 x Cree XP-E (White)



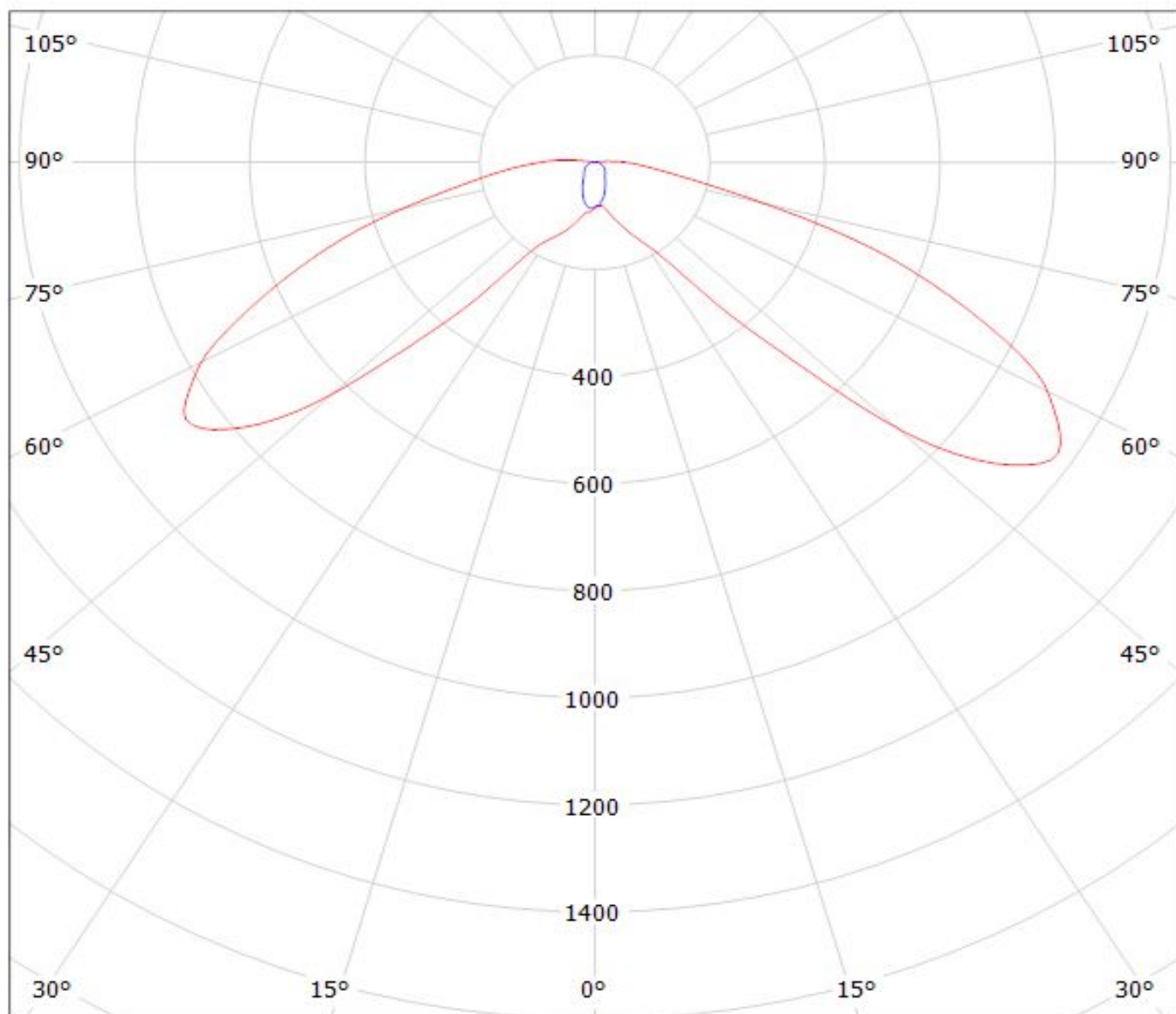
Ledil Oy CA11256_Strada-DW-OSL-tape CA11256_Strada-DW-OSL-tape / LDC (Linear)

Luminaire: Ledil Oy CA11256_Strada-DW-OSL-tape CA11256_Strada-DW-OSL-tape
Lamps: 1 x Osram Oslon (White)



Luminaire: LEDiL Oy CA11256_STRADA-DW_(Luxeon_TX)

Lamps: 1 x Luxeon_TX_(L1T2-3585)_81.3157lm@250mA_CCT=3500K_P=0.742403W_I=249.9mA

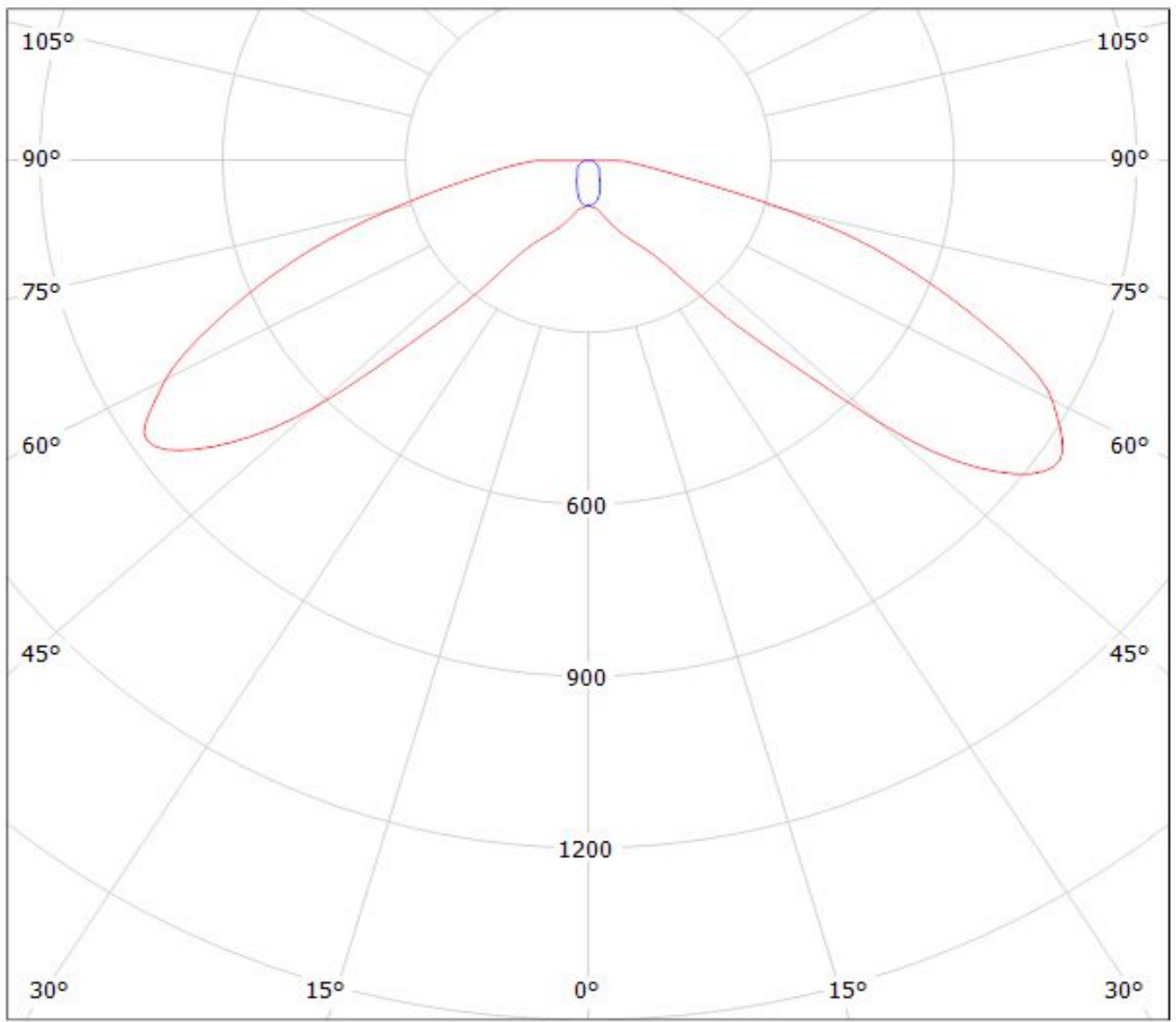


cd/klm

— C0 - C180

— C90 - C270

Luminaire: LEDiL Oy CA11256_STRADA-DW_(LUXEON_T) Eff.92.6%
Lamps: 1 x LUXEON T (74lm@250mA)



cd/klm

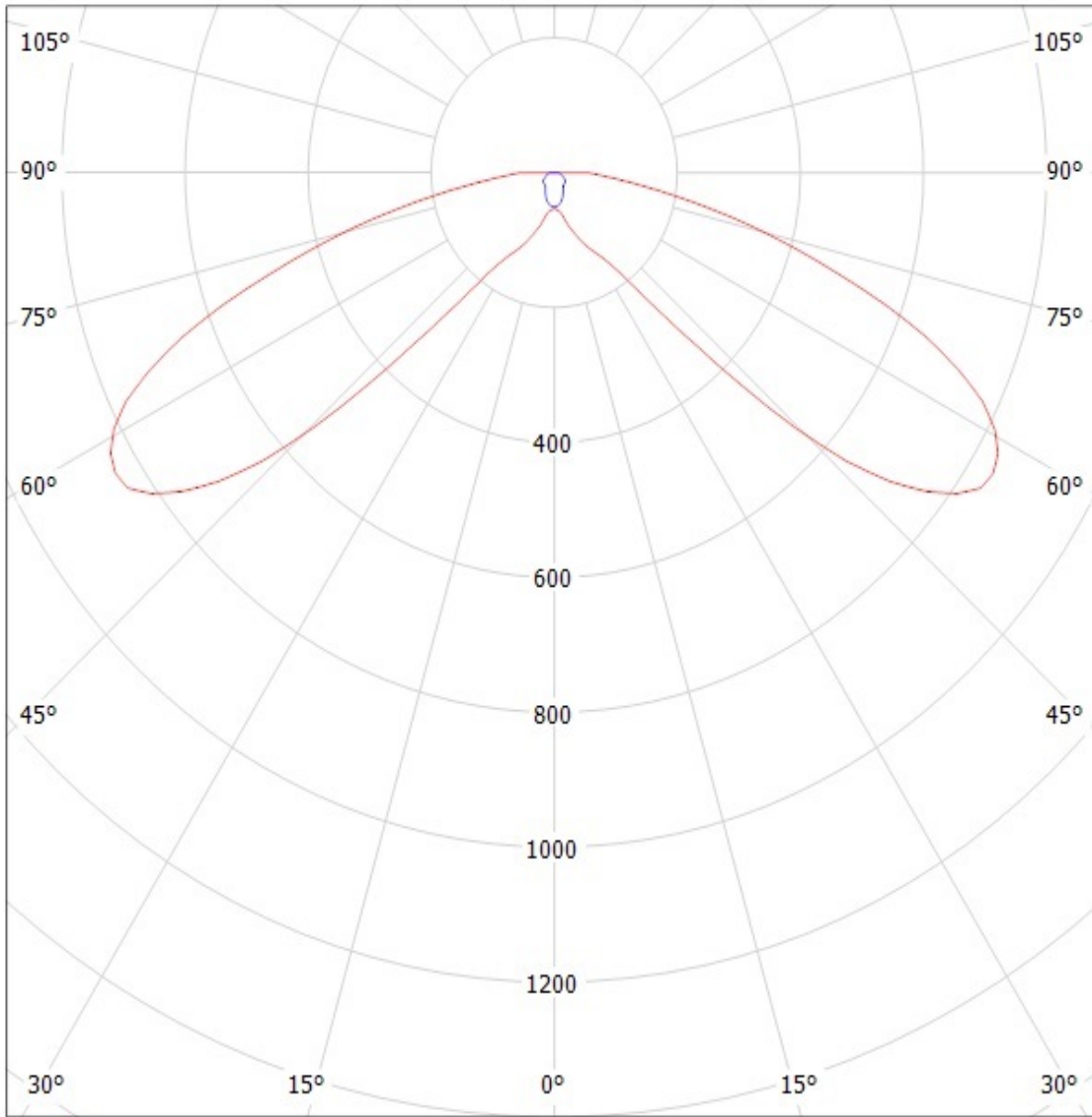
$\eta = 93\%$

— C0 - C180 — C90 - C270

Ledil Oy C11255_Strada-DW-XP-G C11255_Strada-DW-XP-G / LDC (Polar)

Luminaire: Ledil Oy C11255_Strada-DW-XP-G C11255_Strada-DW-XP-G

Lamps: 1 x Cree XP-G (White)



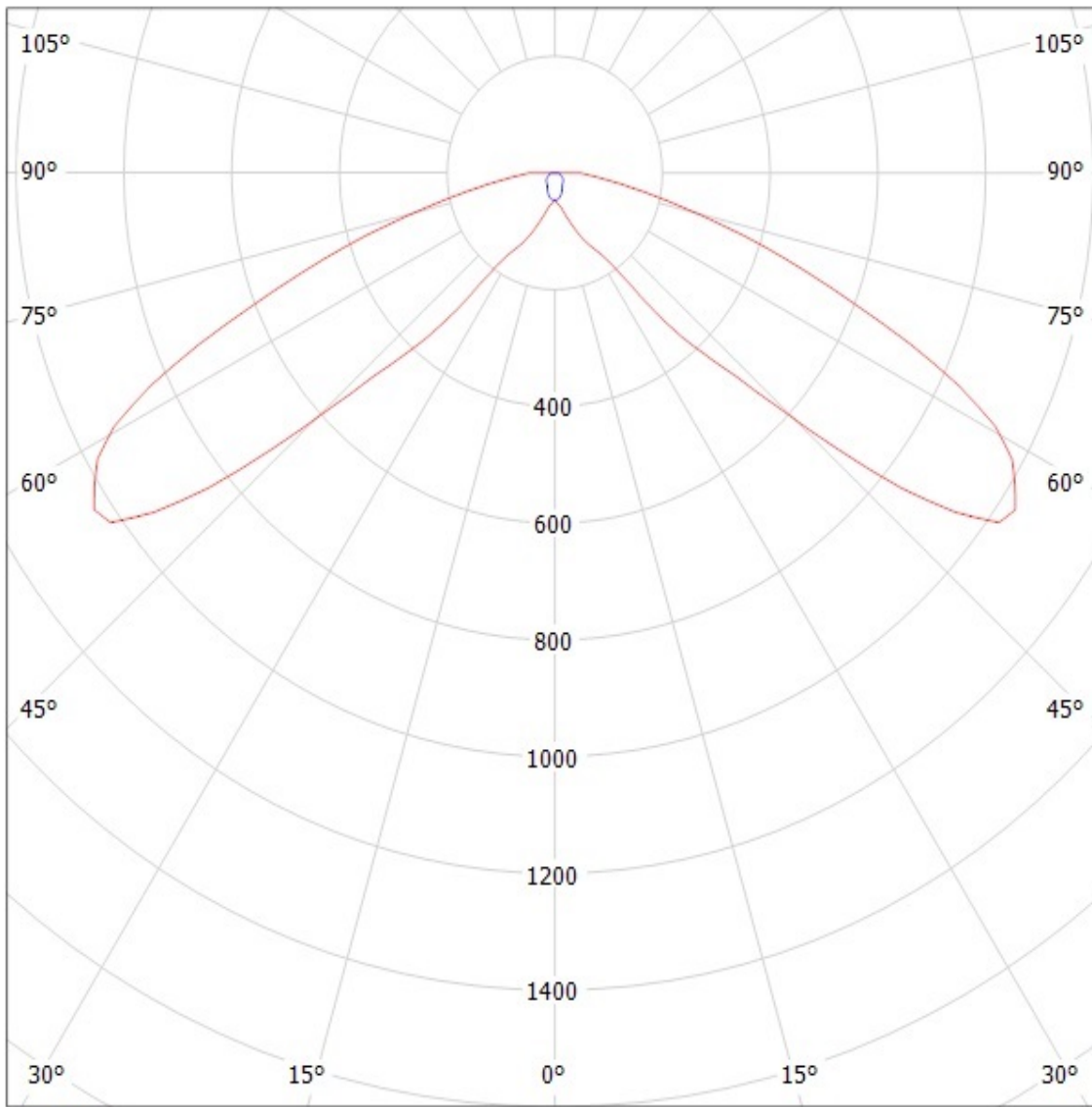
cd/klm

— C0 - C180 — C90 - C270

SIMULATED

Ledil Oy C11255_Strada-DW-XP C11255_Strada-DW-XP / LDC (Polar)

Luminaire: Ledil Oy C11255_Strada-DW-XP C11255_Strada-DW-XP
Lamps: 1 x Cree XP-E (White)



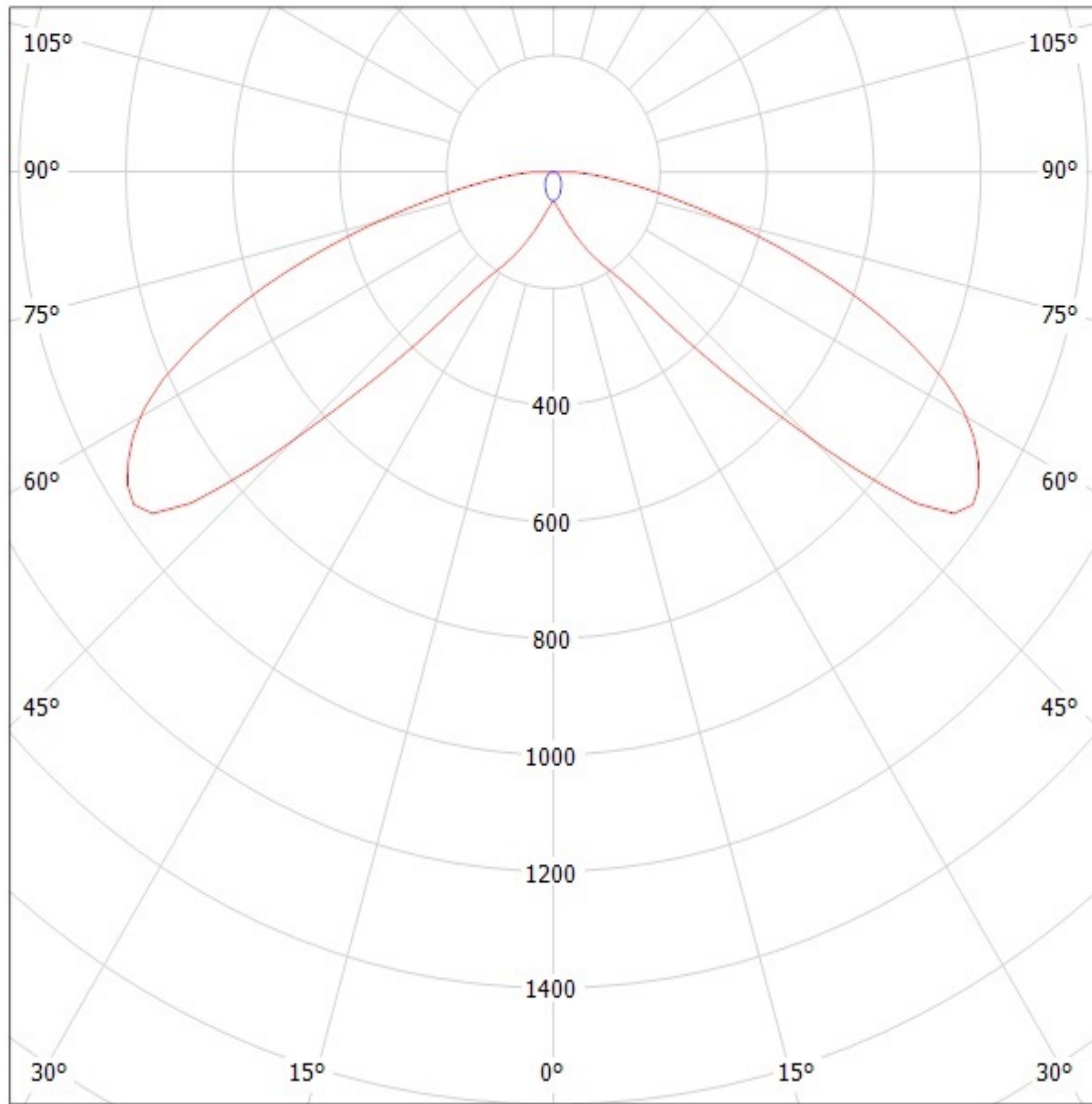
cd/klm

— C0 - C180 — C90 - C270

SIMULATED

Ledil Oy CA11256_Strada-DW-OSL-tape CA11256_Strada-DW-OSL-tape / LDC (Polar)

Luminaire: Ledil Oy CA11256_Strada-DW-OSL-tape CA11256_Strada-DW-OSL-tape
Lamps: 1 x Osram Oslon (White)



cd/klm

— C0 - C180 — C90 - C270

SIMULATED

NOTE: The typical divergence will be changed by different color, chip size and chip position tolerance. The typical total divergence is the full angle measured where the luminous intensity is half of the peak value.