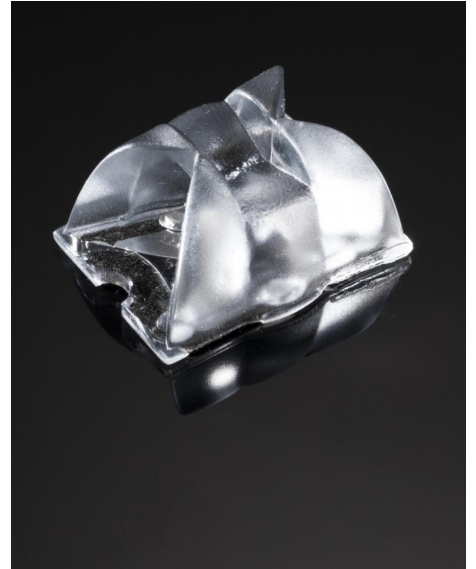


DETAILS

Product Number	CA10823_STRADA-A
Family	Strada-A
Type	Assembly
Color	clear
Diameter	19,6 +15,4 mm
Height	10.65 mm
Style	rectang
Optic Material	PMMA
Holder Material	
Fastening	screw, tape
Status	ready
ROHS Comliant	Yes
Date Updated	9/12/2014



OPTICAL PROPERTIES

LED	Viewing Angle	Light Beam	Efficiency	cd/lm	Connector
Z5	sim: 35+65	Streetligh...	92 %	-	-
XP-E	68+136 deg	Streetligh...	93 %	1.100	-
XP-G	80+144 deg	Streetligh...	93 %	0.850	-
H35C0 (LEMWA33)	82+139 deg	Streetligh...	91 %	1.000	-

D

C

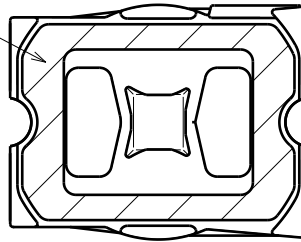
B

A

4

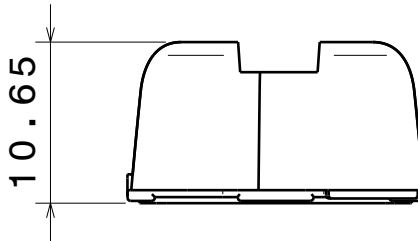
4

Tape 0.4mm



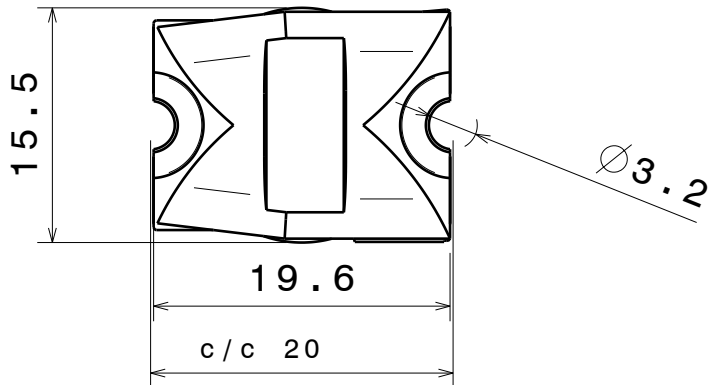
3

3



2

2



Material:
 Lens PMMA
 Tape PU foam with PSA

This drawing is our property.
 It can't be reproduced
 or communicated without
 our written agreement.



L
T
F
F

e
e
i
i
n
n

d

h

DRAWING TITLE

Datasheet Strada-A-XP assy

1

1

DRAWN BY

DATE

p

05.08.2011

CHECKED BY

DATE

t

k

07.07.2011

SIZE

A4

DRAWING NUMBER

REV

1

DESIGNED BY

DATE

hh

20.11.2008

SCALE

2:1

WEIGHT (g)

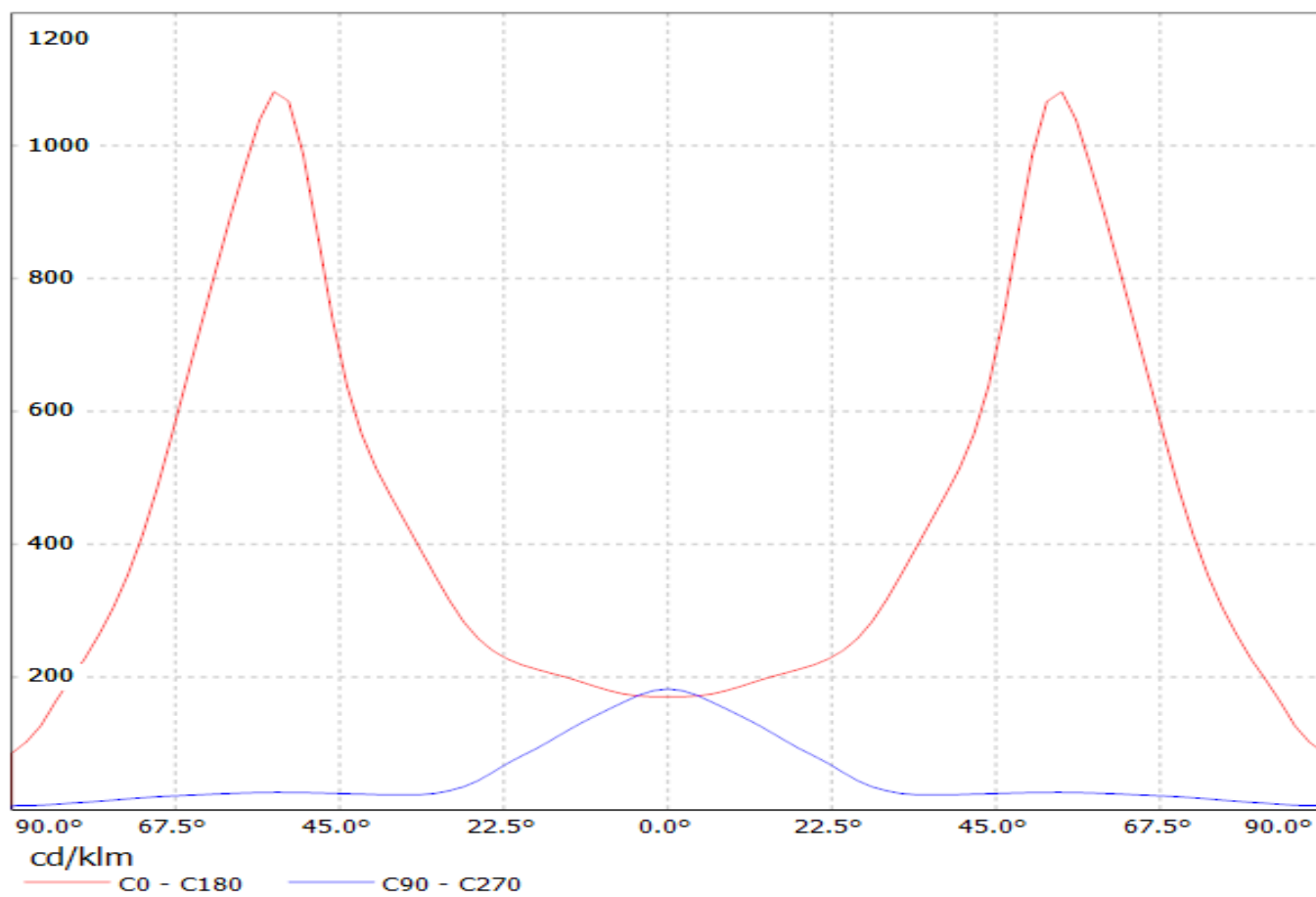
SHEET

1/1

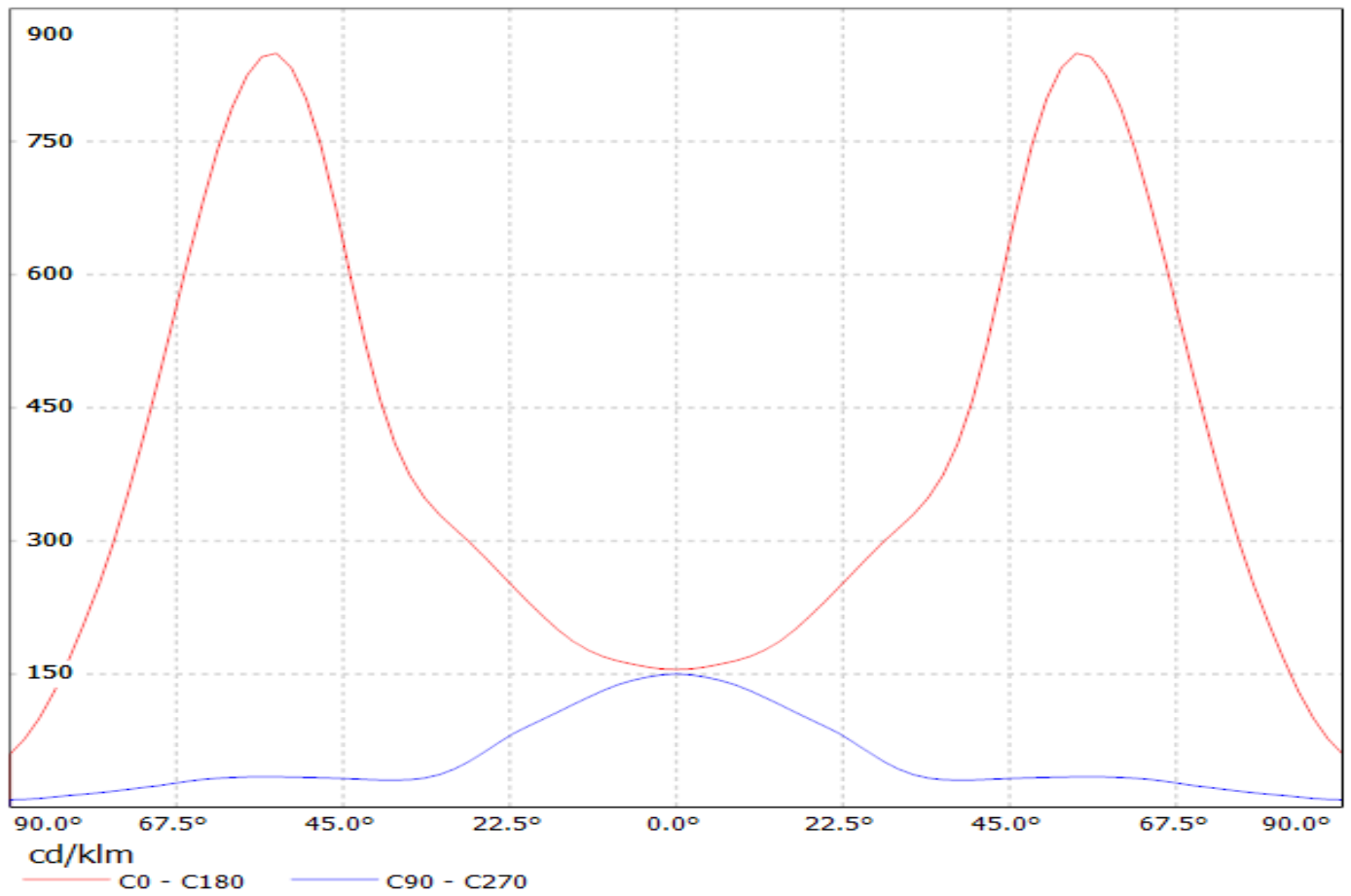
D

A

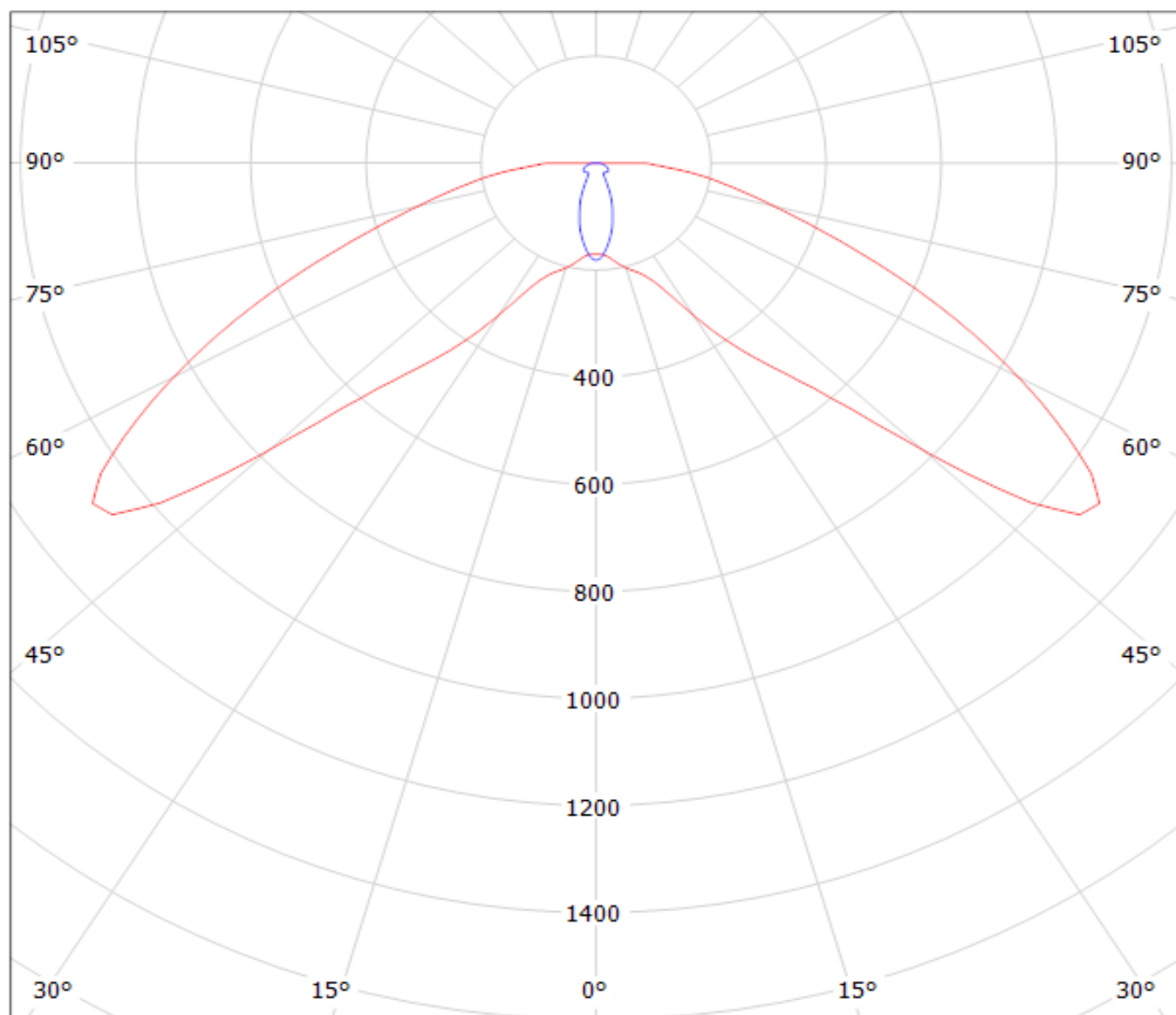
Luminaire: Ledil Oy CA10823_Strada-A-XP CA10823_Strada-A-XP
Lamps: 1 x Cree XP-E (white)



Luminaire: Ledil Oy CA10823_Strada-A-XPG CA10823_Strada-A-XPG
Lamps: 1 x Cree XP-G (White)



Luminaire: Ledil Oy CA10823_Strada-A-XP CA10823_Strada-A-XP
Lamps: 1 x Cree XP-E (white)

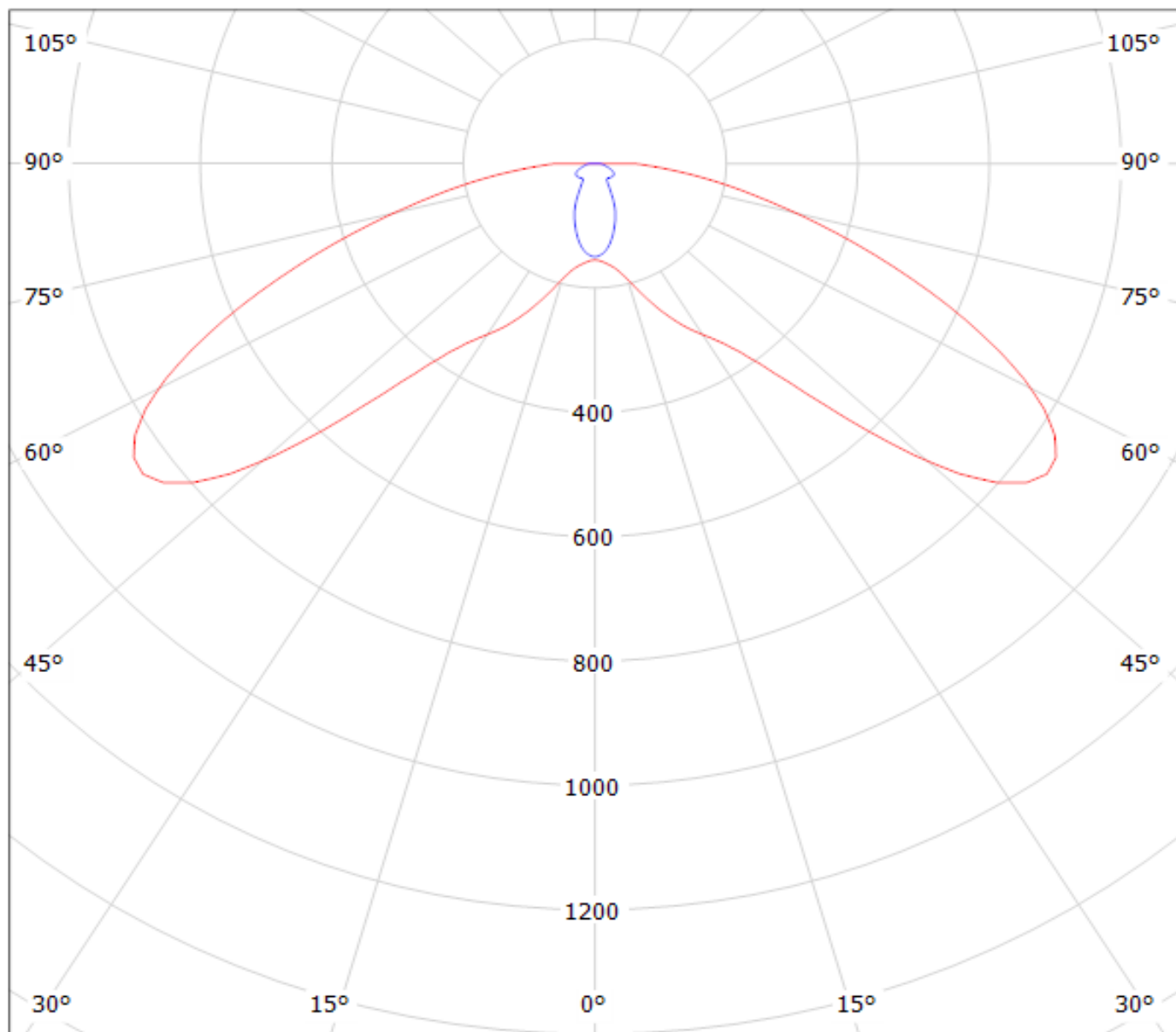


cd/klm

— C0 - C180

— C90 - C270

Luminaire: Ledil Oy CA10823_Strada-A-XPG CA10823_Strada-A-XPG
Lamps: 1 x Cree XP-G (White)



cd/klm

— C0 - C180

— C90 - C270

NOTE: The typical divergence will be changed by different color, chip size and chip position tolerance. The typical total divergence is the full angle measured where the luminous intensity is half of the peak value.