

## DETAILS

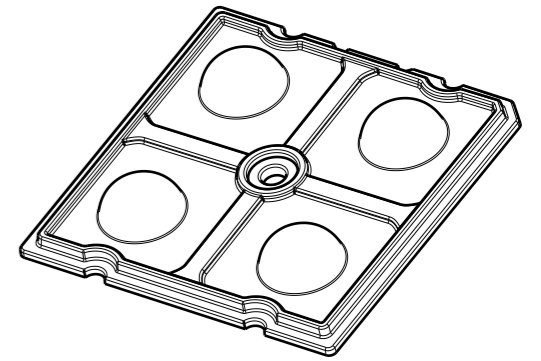
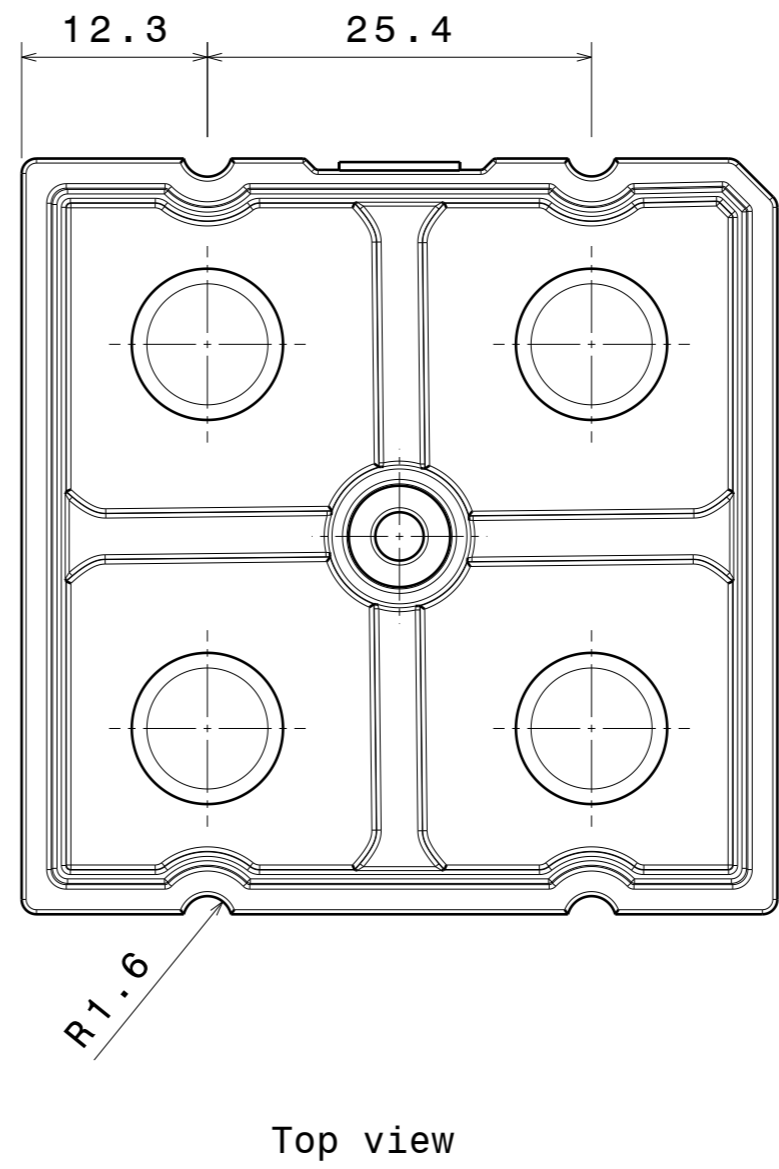
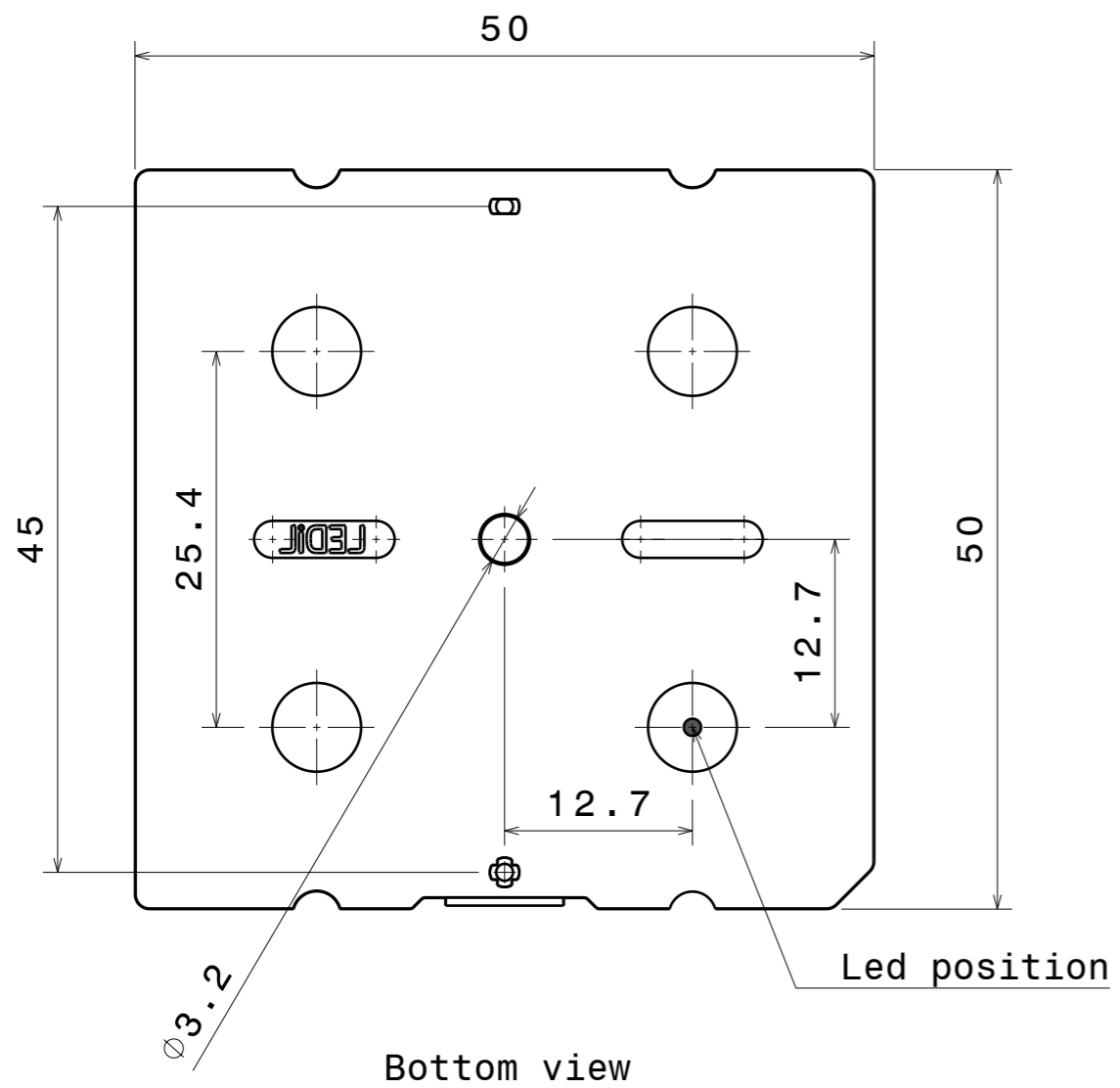
<b>Product Number</b>	C13937_STRADA-2X2-C-STP
<b>Family</b>	Strada-C
<b>Type</b>	Lens
<b>Color</b>	clear
<b>Diameter</b>	50 x 50 mm
<b>Height</b>	6,27 mm
<b>Style</b>	square
<b>Optic Material</b>	PMMA
<b>Holder Material</b>	
<b>Fastening</b>	screw, pin
<b>Status</b>	ready
<b>ROHS Compliant</b>	Yes
<b>Date Updated</b>	24/04/2015



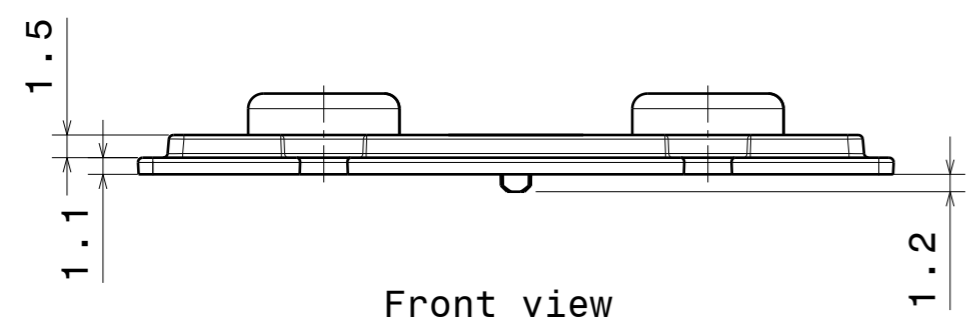
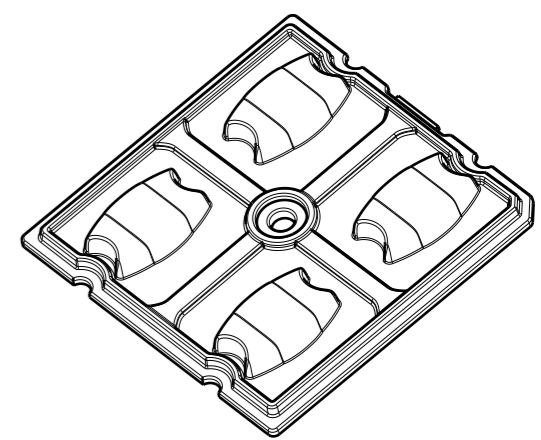
## OPTICAL PROPERTIES

LED	Viewing Angle	Light Beam	Efficiency	cd/lm	Connector
TL1L4	119 deg	Streetligh...	92 %	0.340	-
LH351Z	127 deg	Streetligh...	94 %	0.320	-
Fortimo FastFlex LED board 2x8/740 DA	135 deg	Streetligh...	94 %	0.300	-
XP-G2	138 deg	Streetligh...	94 %	0.290	-
XP-L	139 deg	Streetligh...	92 %	0.280	-

H G F E D C B A



Isometric view  
Scale 1:1



This drawing applies to:  
C13936\_STRADA-2X2-B2-STP  
C13937\_STRADA-2X2-C-STP

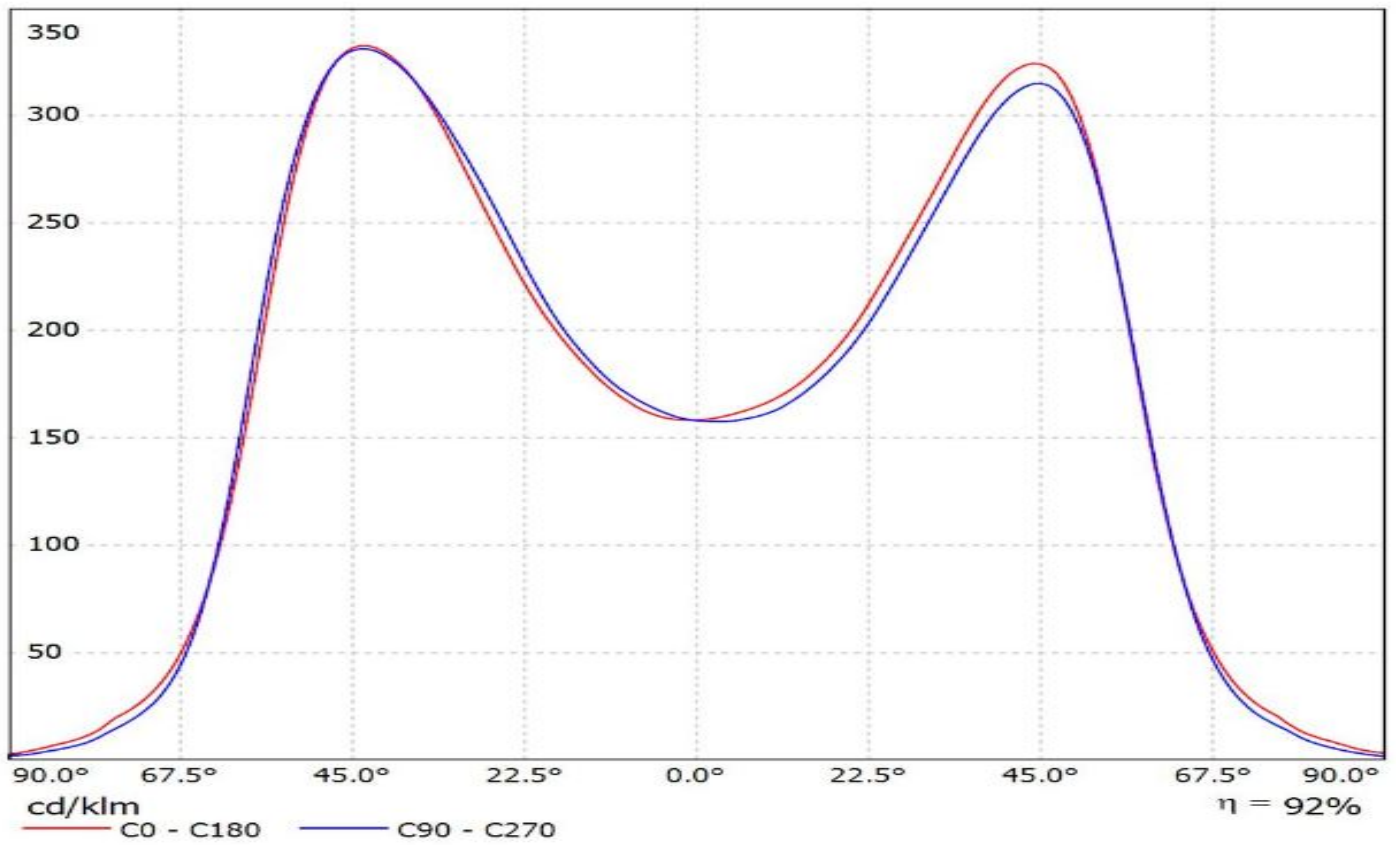
Tolerances if not otherwise shown According to DIN ISO 2768-1 Linear measures: Up to 30mm class M, otherwise class C. According to DIN ISO 2768-2 Form and position: class L	Ledil Oy Salorankatu 10 FIN 24240 SALO Finland	DRAWING TITLE	
		Datasheet_STRADA-2X2-STP	
This drawing is the property of LEDiL Oy. It may not be reproduced, copied or communicated without a written agreement with LEDiL Oy."	SIZE	PART NUMBER	
	A3	-	
	SCALE	2:1	WEIGHT (g)
			SHEET 1/1

H G F E D C B A

# Ledil C13937\_STRADA-2X2-C-STP\_(TL1L4) / LDC (Linear)

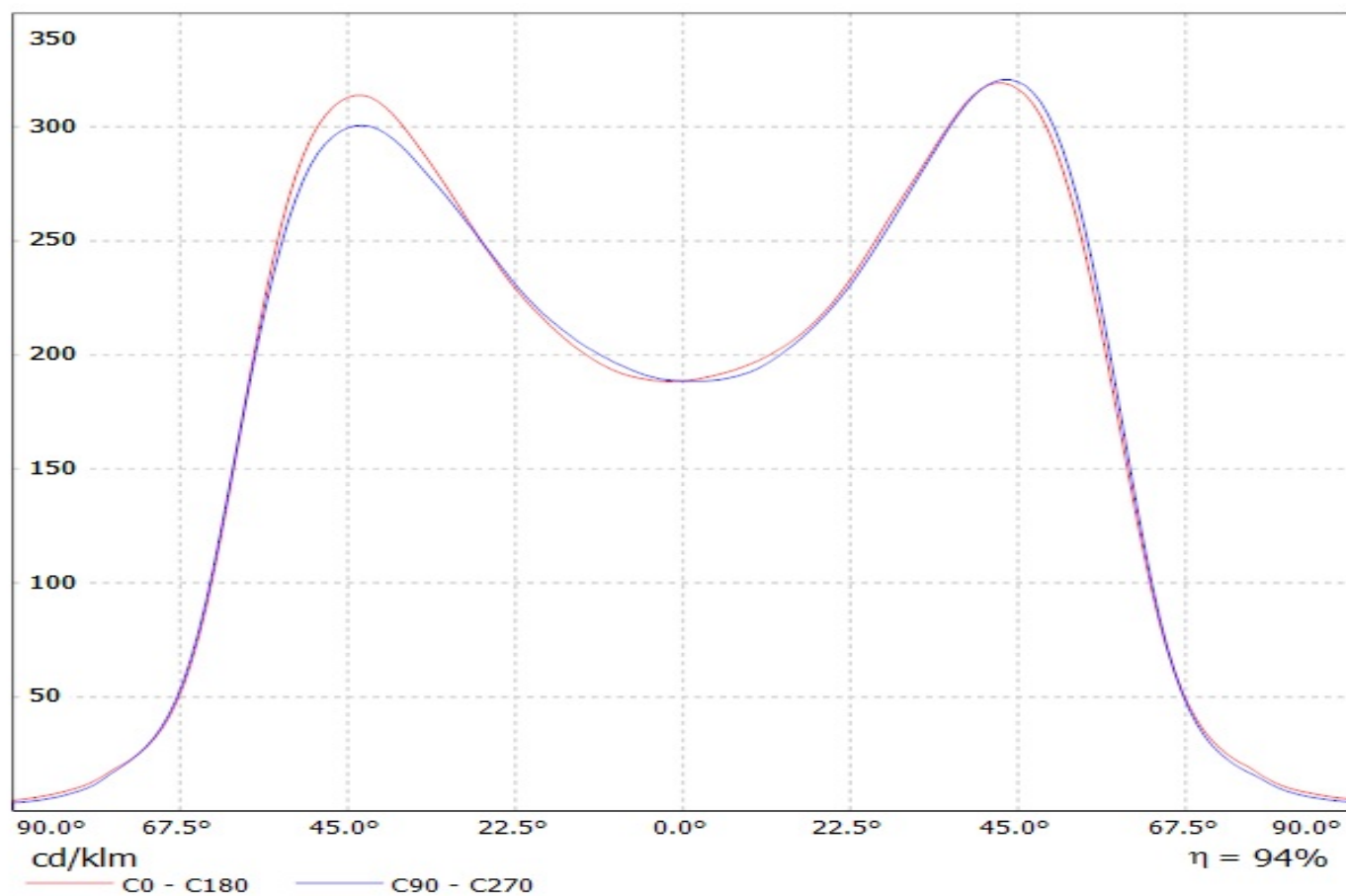
Luminaire: Ledil C13937\_STRADA-2X2-C-STP\_(TL1L4)

Lamps: 1 x Toshiba\_TL1L4\_2x2\_(TL1L4-DW0)\_472.639lm@250mA\_CCT=6500K\_P=2.9W\_I=0.25A

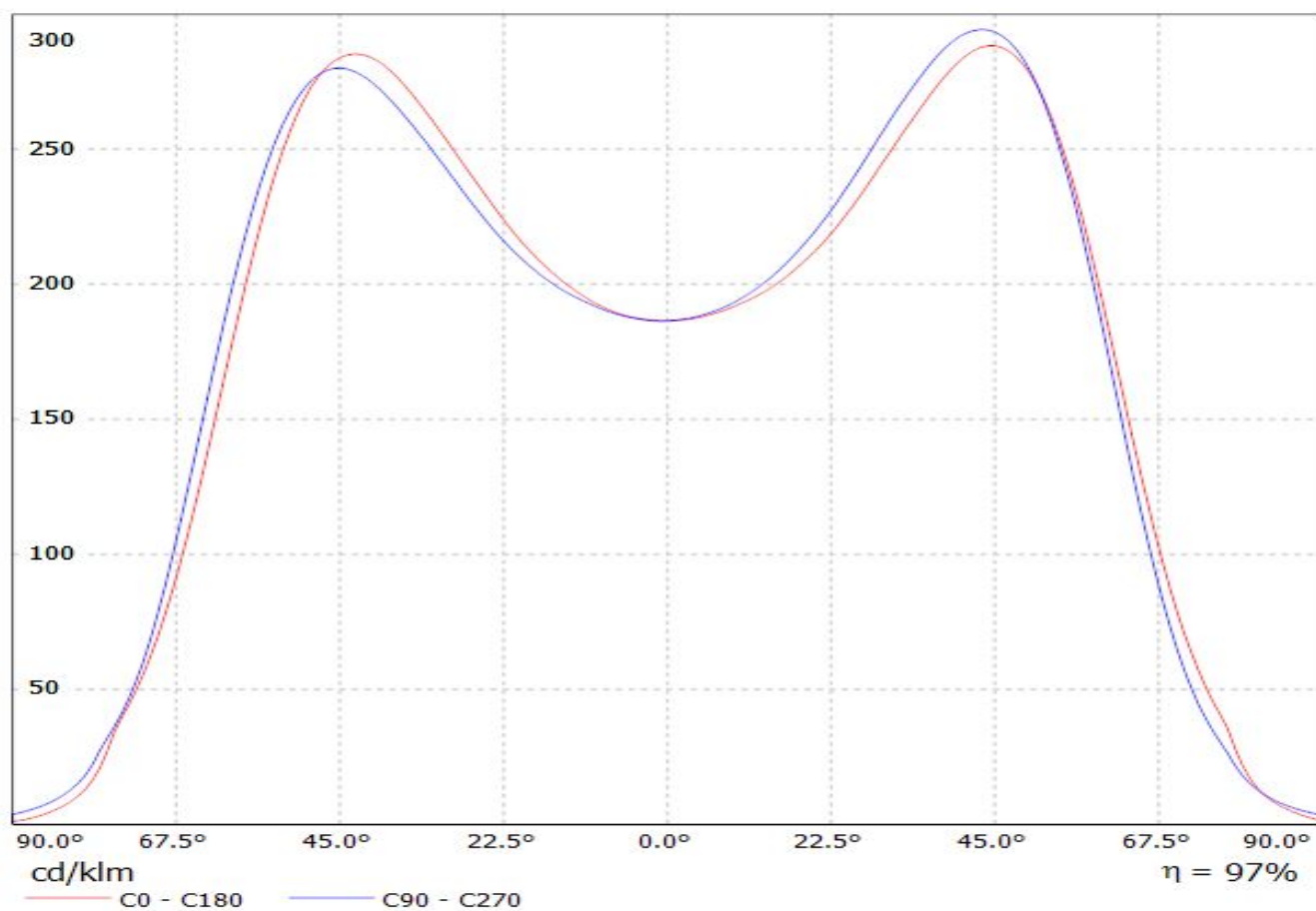


Luminaire: LEDiL Oy C13937\_STRADA-2X2-C-STP\_(LH351Z)

Lamps: 1 x SAMSUNG\_LH351Z\_2x2\_369.77lm@250mA\_P=2.86371W\_I=249.8mA

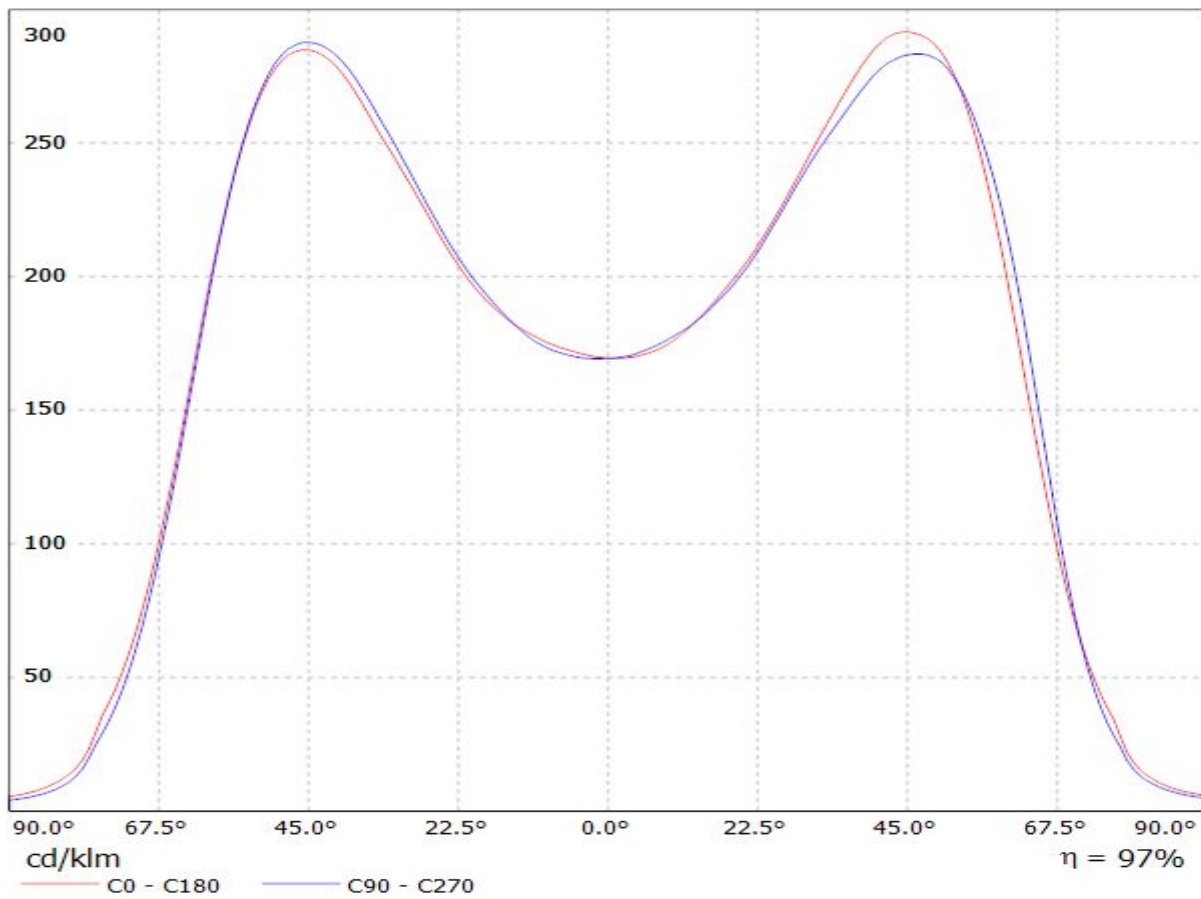


Luminaire: LEDiL Oy C13937\_STRADA-2X2-C-STP\_(Fortimo\_F-Flex\_2x8\_740DAG3)  
Lamps: 1 x Philips\_Fortimo\_F-Flex\_2x8\_740DAG3\_1780.2lm@250mA\_P=11.6112W\_I=0.2498A

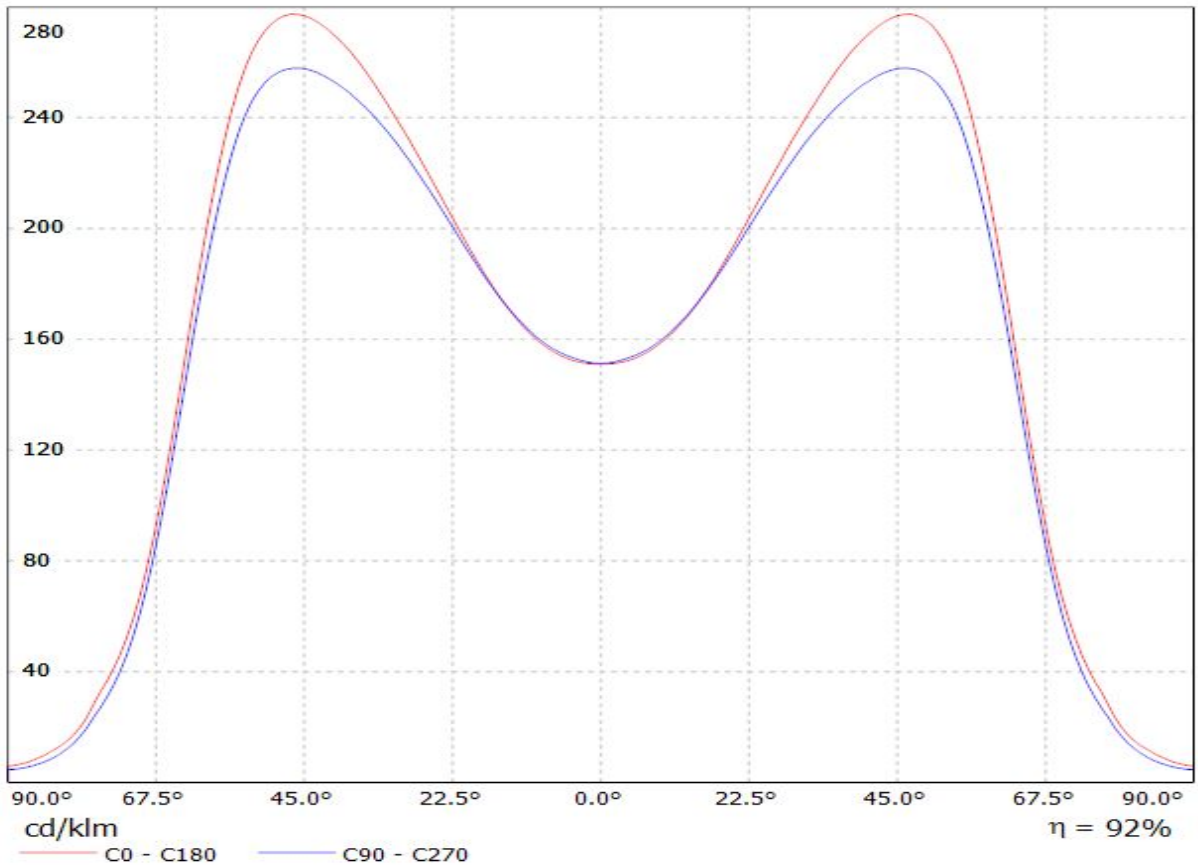


Luminaire: LEDiL Oy C13937\_STRADA-2X2-C-STP Eff 94%

Lamps: 1 x CREE\_XP-G2\_2x2\_(XPGBWT-L1-000-00G51)\_410.822lm@250mA\_CCT=7181K\_P=2.94382W\_I=249.9mA



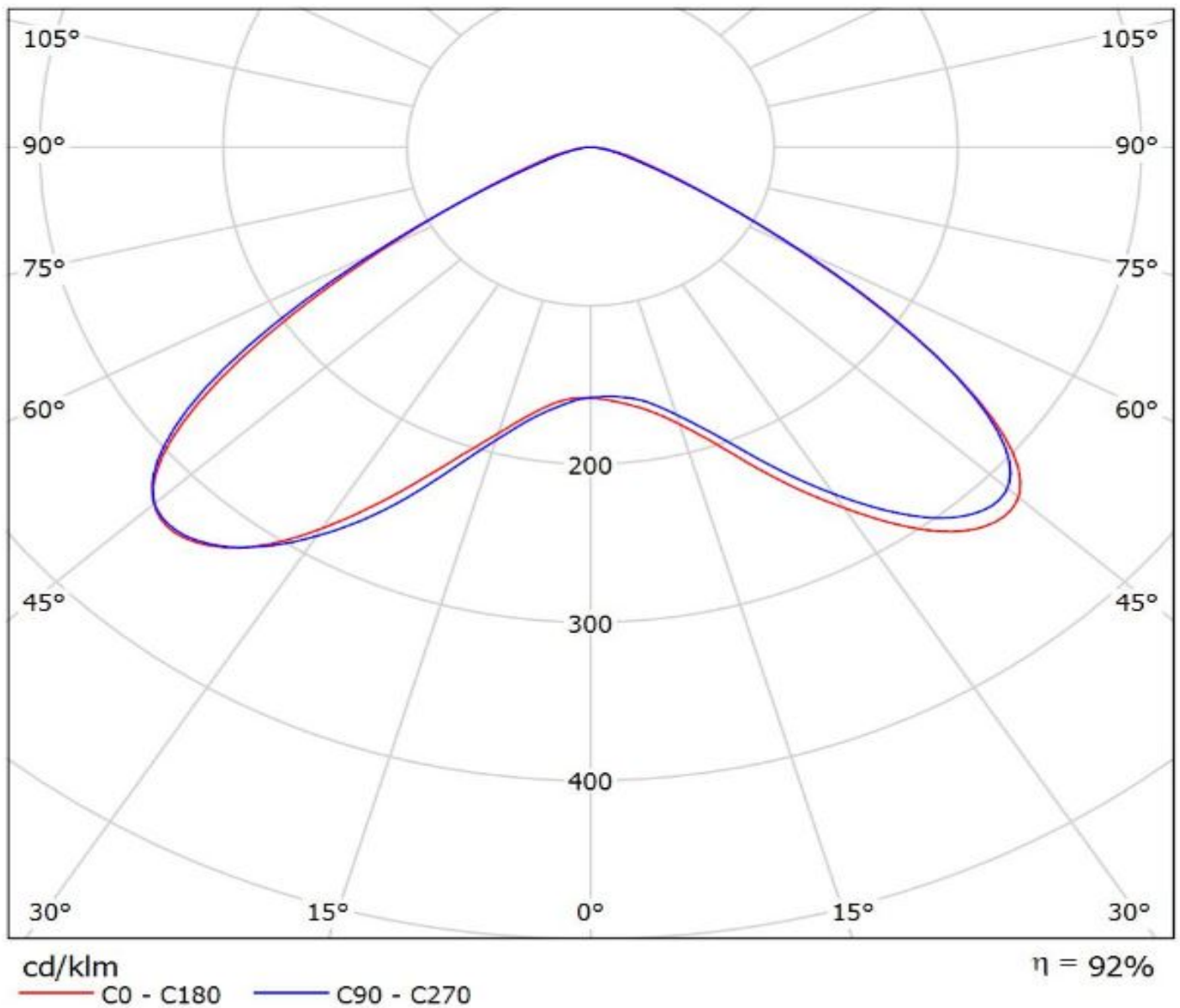
Luminaire: LEDiL Oy C13937\_STRADA-2x2-C-STP\_(XP-L)  
Lamps: 1 x CREE\_XP-L\_2x2\_(XPLAWT-0-1B0-V40-00-0001)\_504.373lm@250mA\_CCT=7600K\_P=2.79963W\_I=249.9mA



# Ledil C13937\_STRADA-2X2-C-STP\_(TL1L4) / LDC (Polar)

Luminaire: Ledil C13937\_STRADA-2X2-C-STP\_(TL1L4)

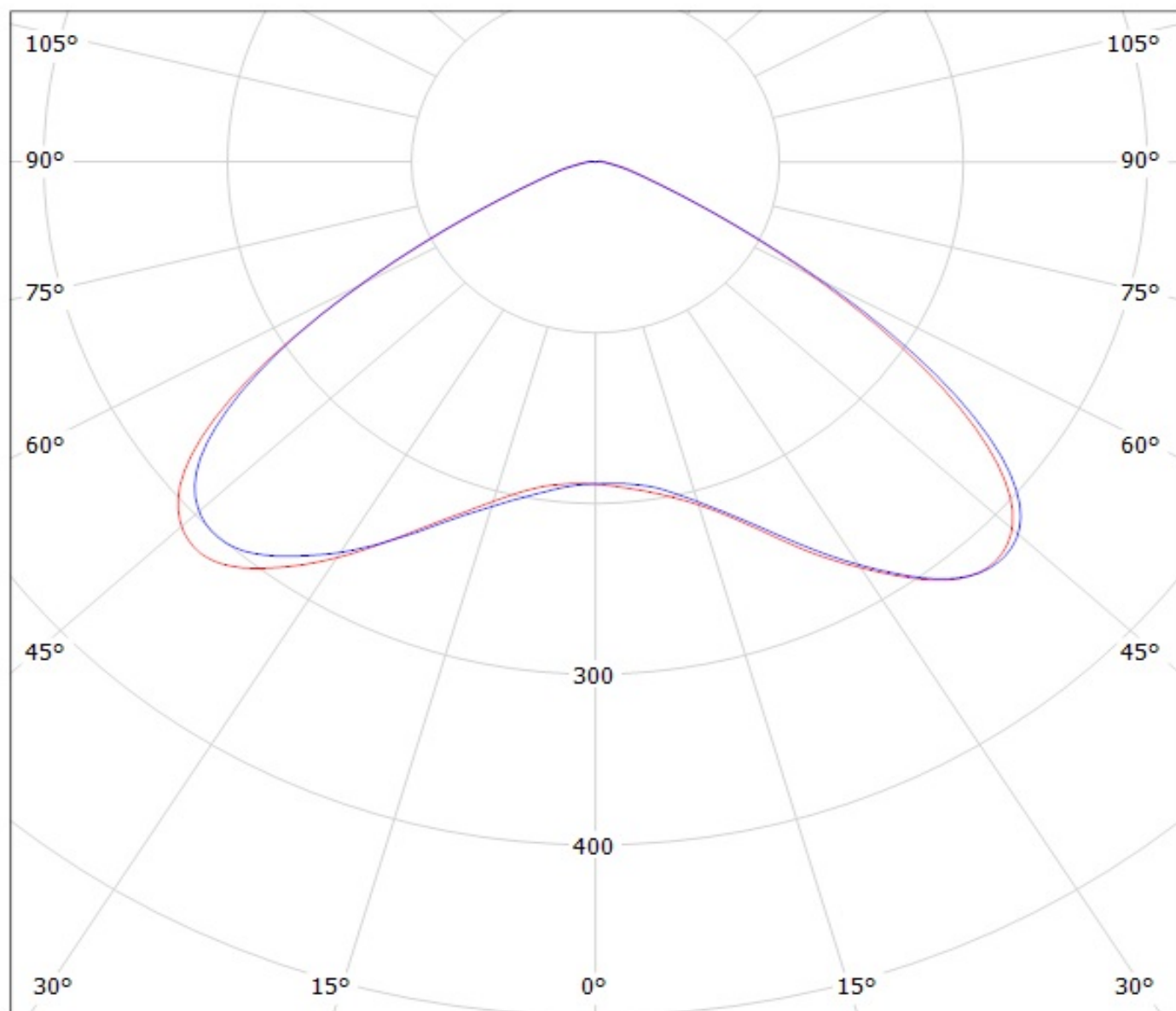
Lamps: 1 x Toshiba\_TL1L4\_2x2\_(TL1L4-DW0)\_472.639lm@250mA\_CCT=6500K\_P=2.9W\_I=0.25A





Luminaire: LEDiL Oy C13937\_STRADA-2X2-C-STP\_(LH351Z)

Lamps: 1 x SAMSUNG\_LH351Z\_2x2\_369.77lm@250mA\_P=2.86371W\_I=249.8mA



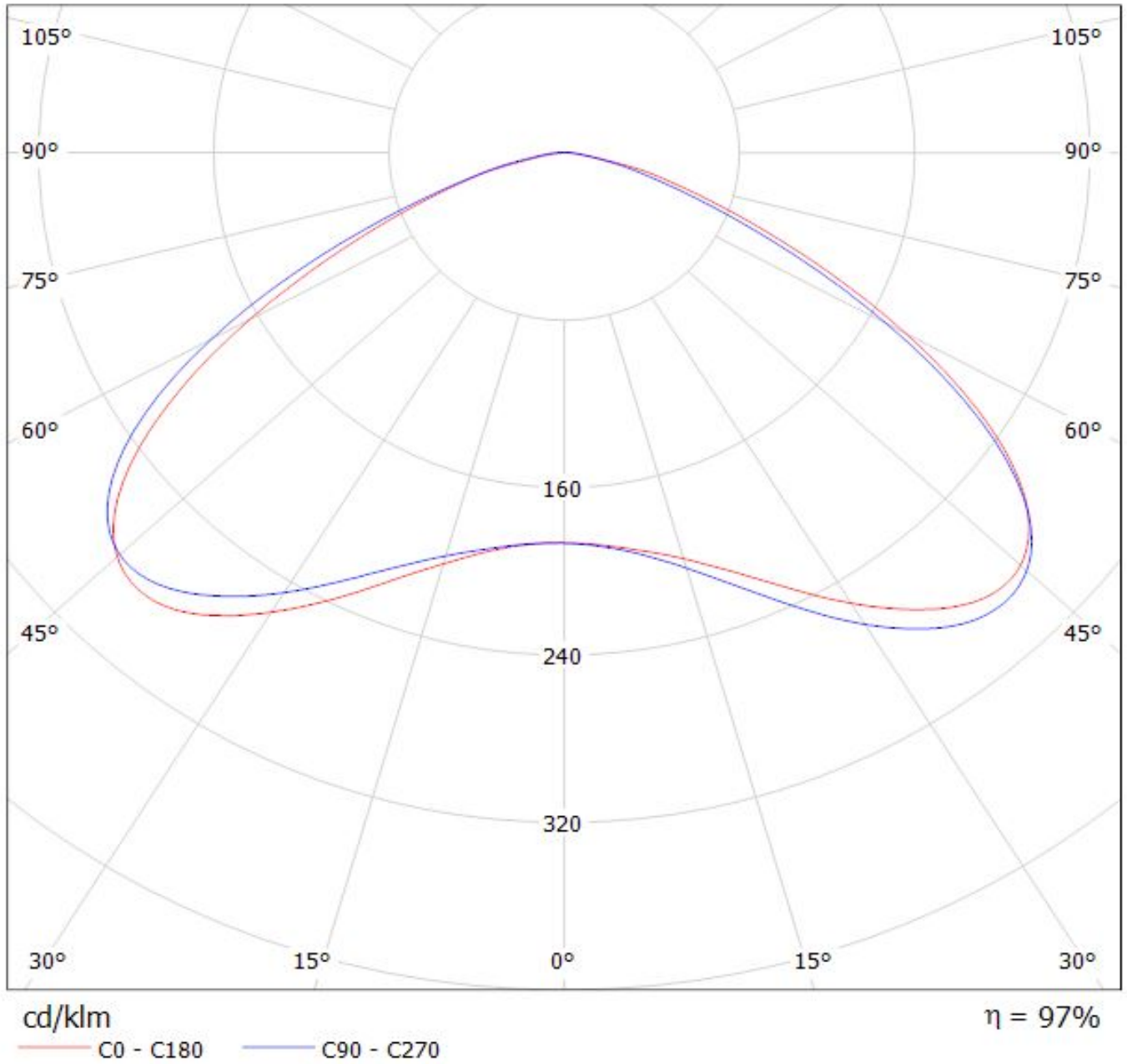
cd/klm

— C0 - C180

— C90 - C270

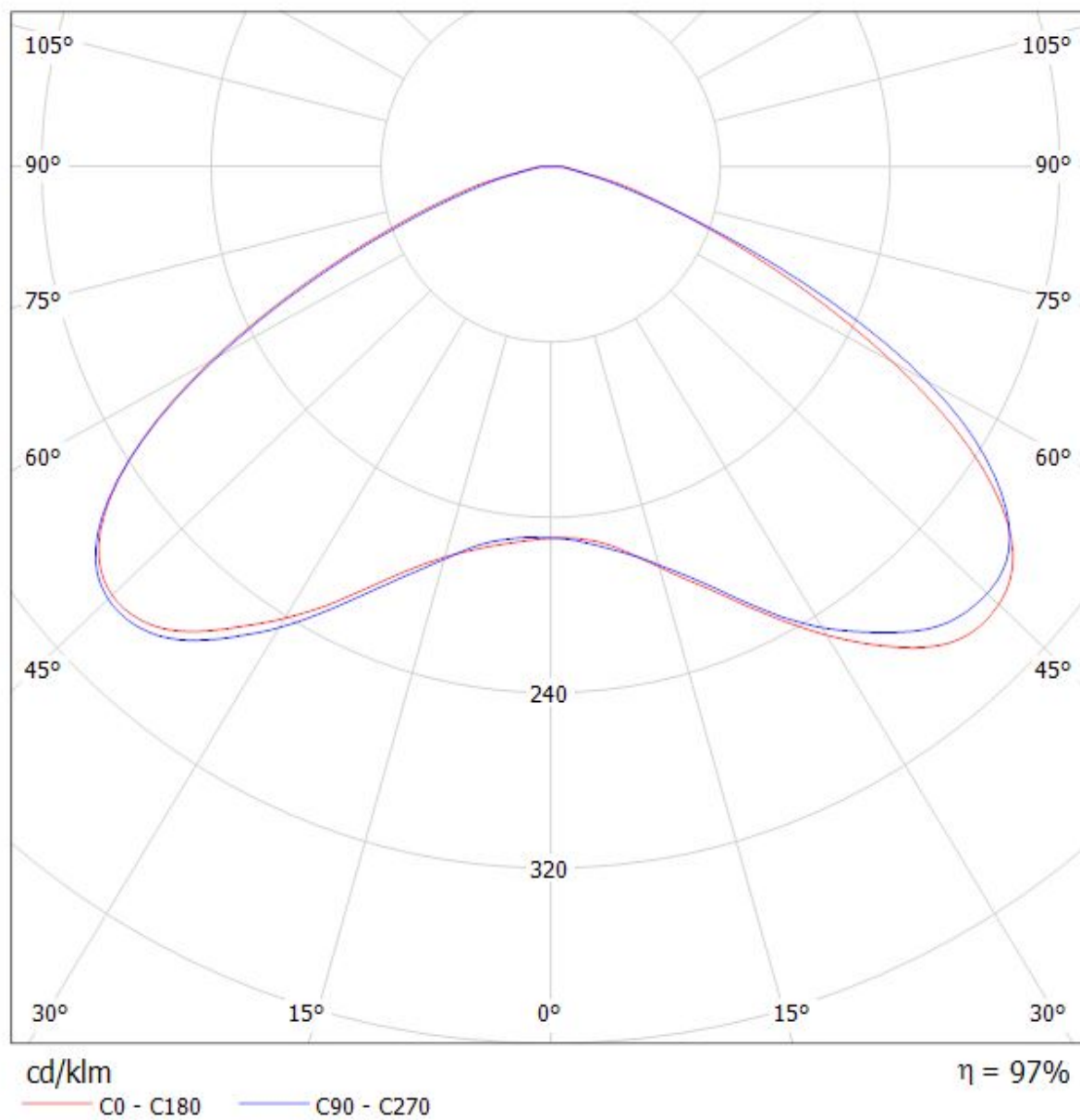
$\eta = 94\%$

Luminaire: LEDiL Oy C13937\_STRADA-2X2-C-STP\_(Fortimo\_F-Flex\_2x8\_740DAG3)  
Lamps: 1 x Philips\_Fortimo\_F-Flex\_2x8\_740DAG3\_1780.2lm@250mA\_P=11.6112W\_η=0.2498A



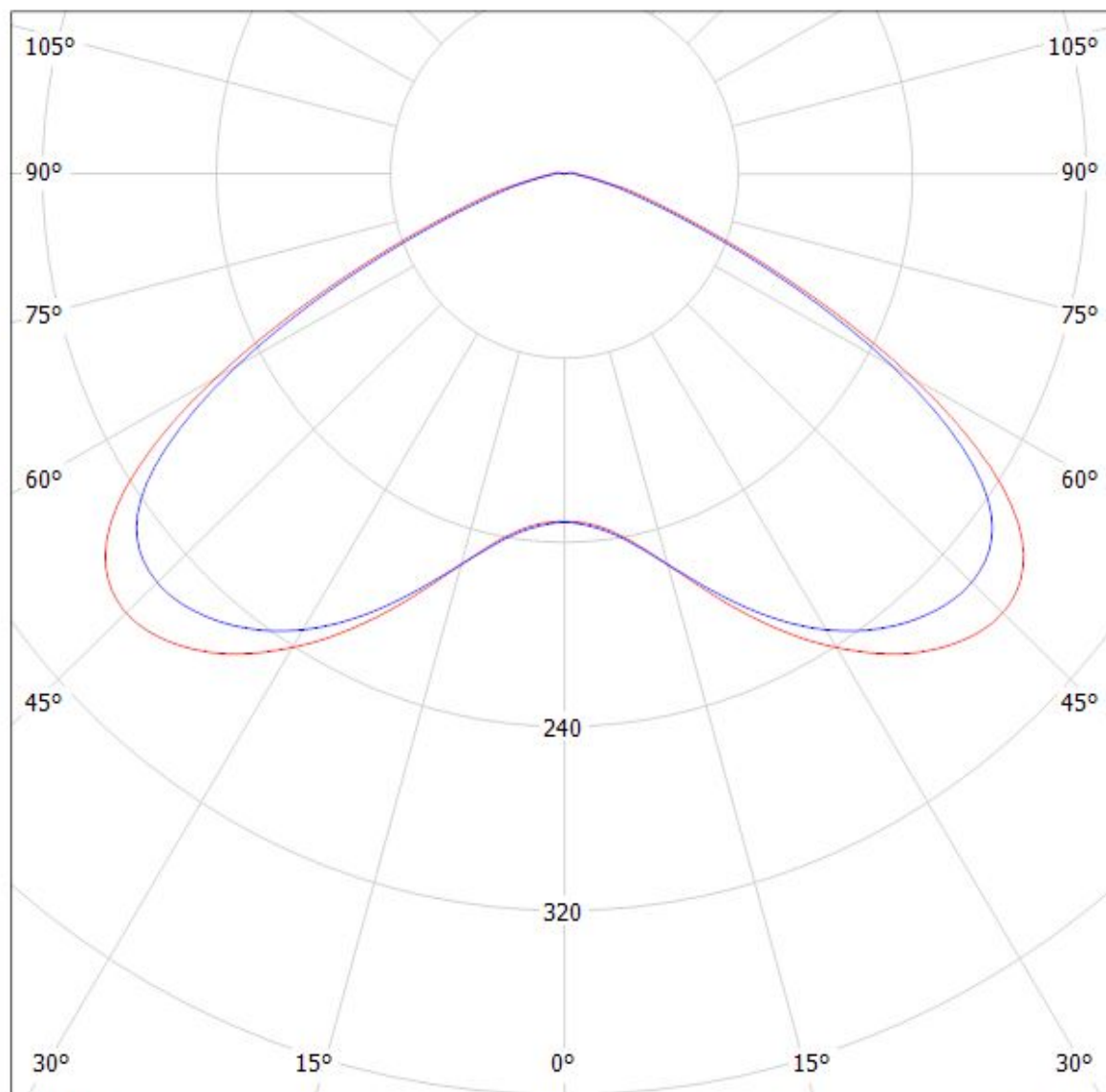
Luminaire: LEDiL Oy C13937\_STRADA-2X2-C-STP Eff.94%

Lamps: 1 x CREE\_XP-G2\_2x2\_(XPGBWT-L1-000-00G51)\_410.822lm@250mA\_CCT=7181K\_P=2.94382W\_I=249.9mA



Luminaire: LEDiL Oy C13937\_STRADA-2x2-C-STP\_(XP-L)

Lamps: 1 x CREE\_XP-L\_2x2\_(XPLAWT-0-1B0-V40-00-0001)\_504.373lm@250mA\_CCT=7600K\_P=2.79963W\_I=249.9mA



cd/klm

— C0 - C180 — C90 - C270

$\eta = 92\%$

**NOTE: The typical divergence will be changed by different color, chip size and chip position tolerance. The typical total divergence is the full angle measured where the luminous intensity is half of the peak value.**