

## DETAILS

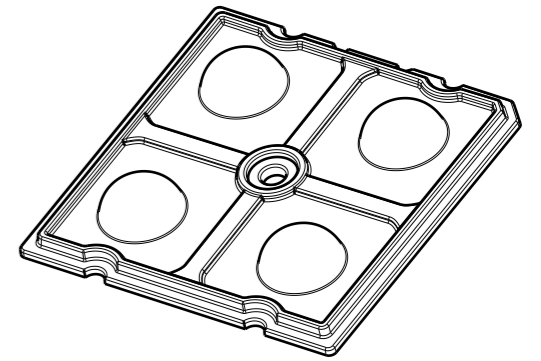
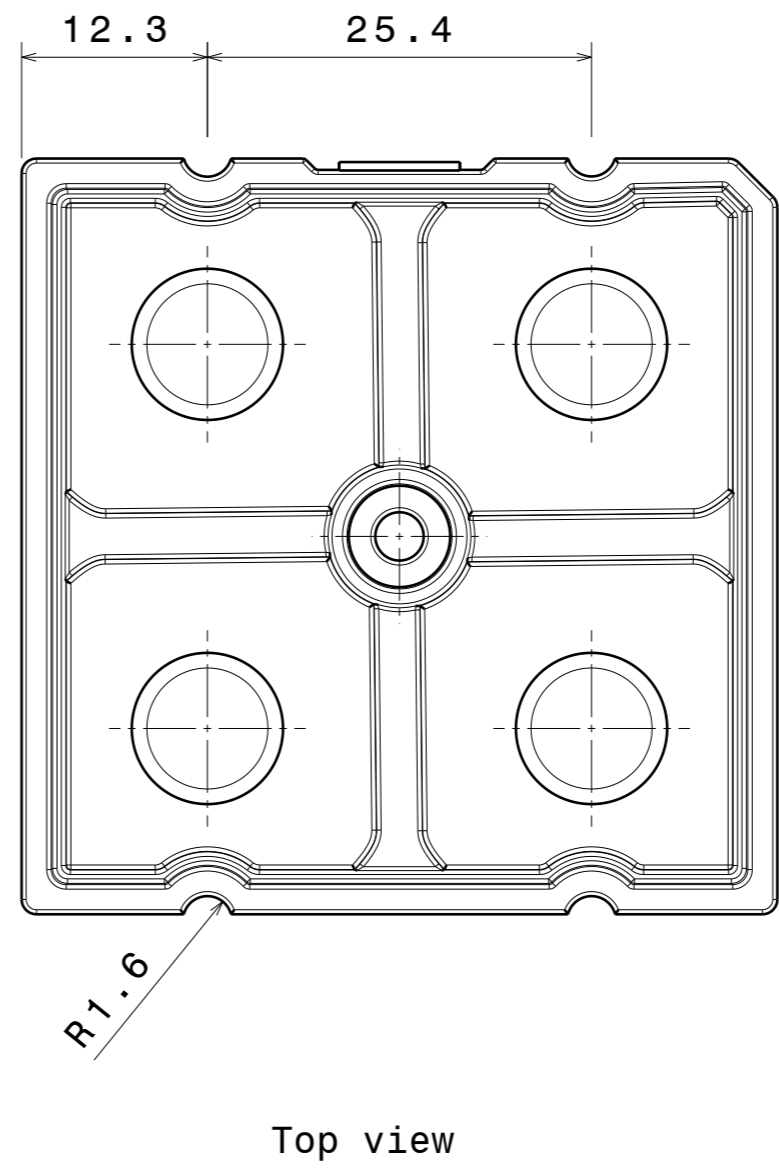
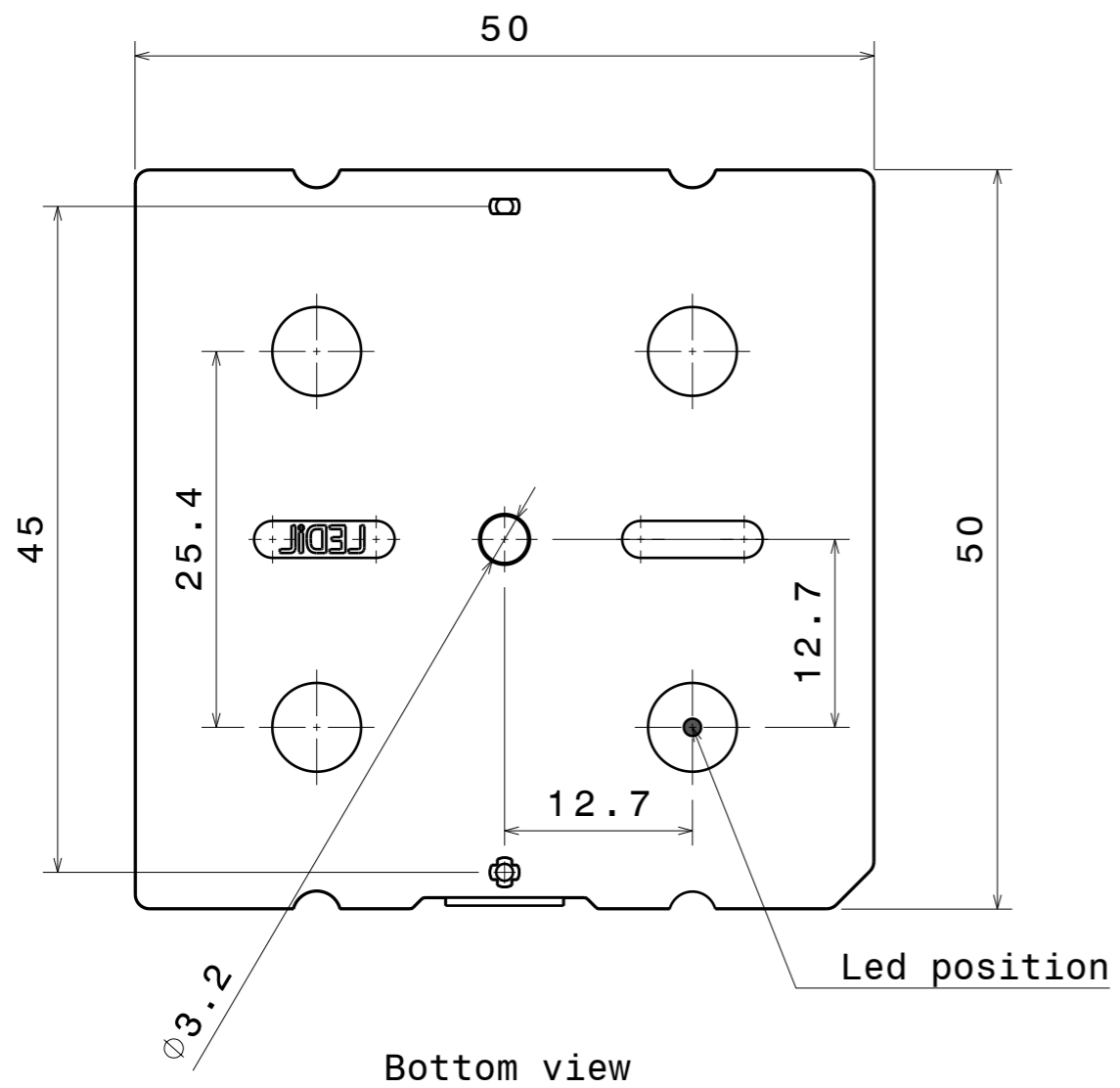
<b>Product Number</b>	C13936_STRADA-2X2-B2-STP
<b>Family</b>	Strada-B2
<b>Type</b>	Lens
<b>Color</b>	clear
<b>Diameter</b>	50 x 50 mm
<b>Height</b>	5,18 mm
<b>Style</b>	square
<b>Optic Material</b>	PMMA
<b>Holder Material</b>	
<b>Fastening</b>	screw, pin
<b>Status</b>	ready
<b>ROHS Compliant</b>	Yes
<b>Date Updated</b>	24/04/2015



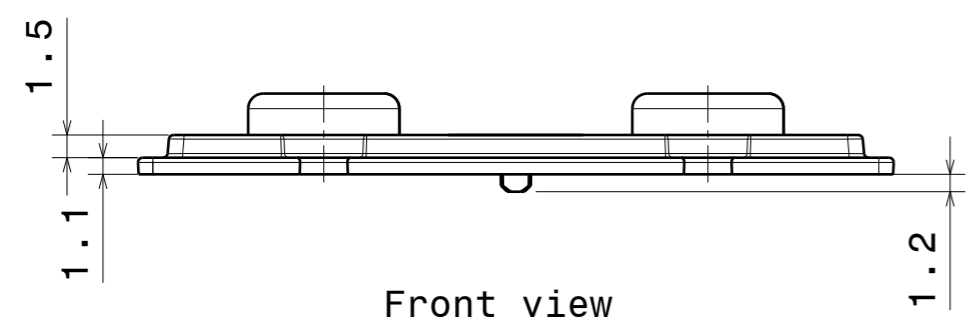
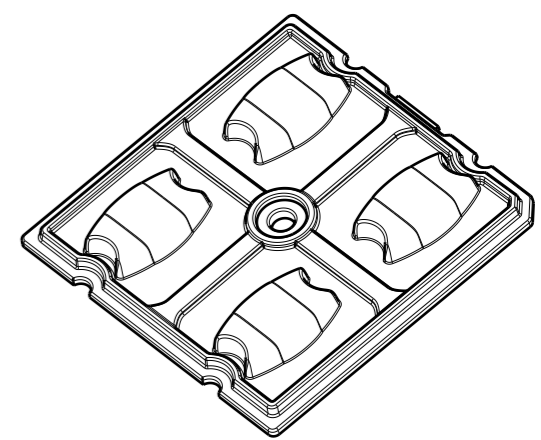
## OPTICAL PROPERTIES

LED	Viewing Angle	Light Beam	Efficiency	cd/lm	Connector
TL1L4	116+45 deg	Streetligh...	88 %	0.570	-
LH351Z	118+47 deg	Streetligh...	93 %	0.560	-
XP-G2	119+42 deg	Streetligh...	93 %	0.550	-
Fortimo FastFlex LED board 2x8/740 DA	120+44 deg	Streetligh...	94 %	0.570	-


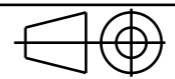
H G F E D C B A



Isometric view  
Scale 1:1



This drawing applies to:  
C13936\_STRADA-2X2-B2-STP  
C13937\_STRADA-2X2-C-STP

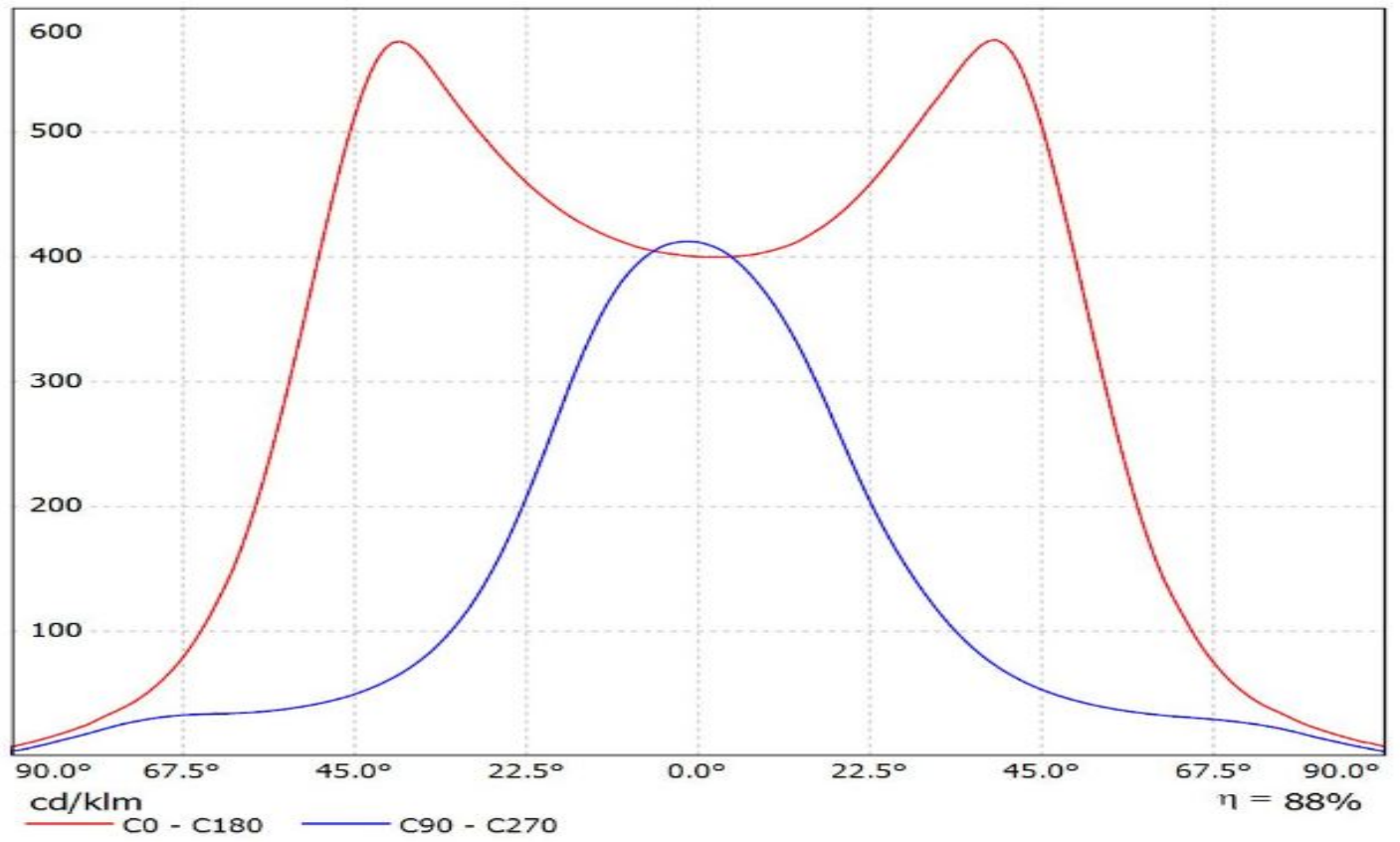
Tolerances if not otherwise shown According to DIN ISO 2768-1 Linear measures: Up to 30mm class M, otherwise class C. According to DIN ISO 2768-2 Form and position: class L		 Ledil Oy Salorankatu 10 FIN 24240 SALO Finland	
THIRD ANGLE PROJECTION: 		DRAWING TITLE <b>Datasheet_STRADA-2X2-STP</b>	
This drawing is the property of LEDiL Oy. It may not be reproduced, copied or communicated without a written agreement with LEDiL Oy."		SIZE <b>A3</b>	PART NUMBER -
		SCALE 2:1	WEIGHT (g) -
		SHEET 1/1	

H G F E D C B A

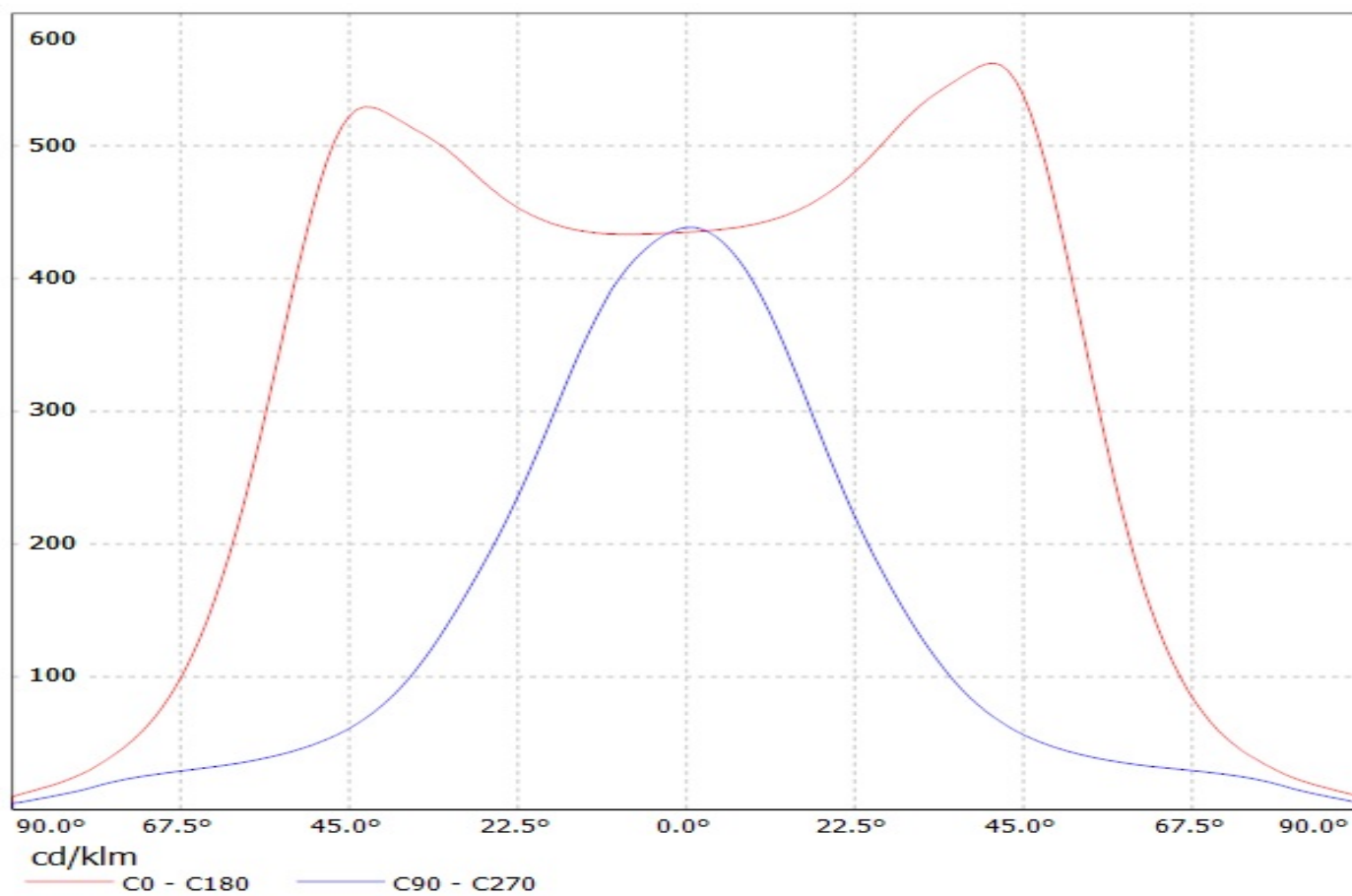
# Ledil C13936\_STRADA-2X2-B2-STP\_(TL1L4) / LDC (Linear)

Luminaire: Ledil C13936\_STRADA-2X2-B2-STP\_(TL1L4)

Lamps: 1 x Toshiba\_TL1L4\_2x2\_(TL1L4-DW0)\_472.639lm@250mA\_CCT=6500K\_P=2.9W\_I=0.25A

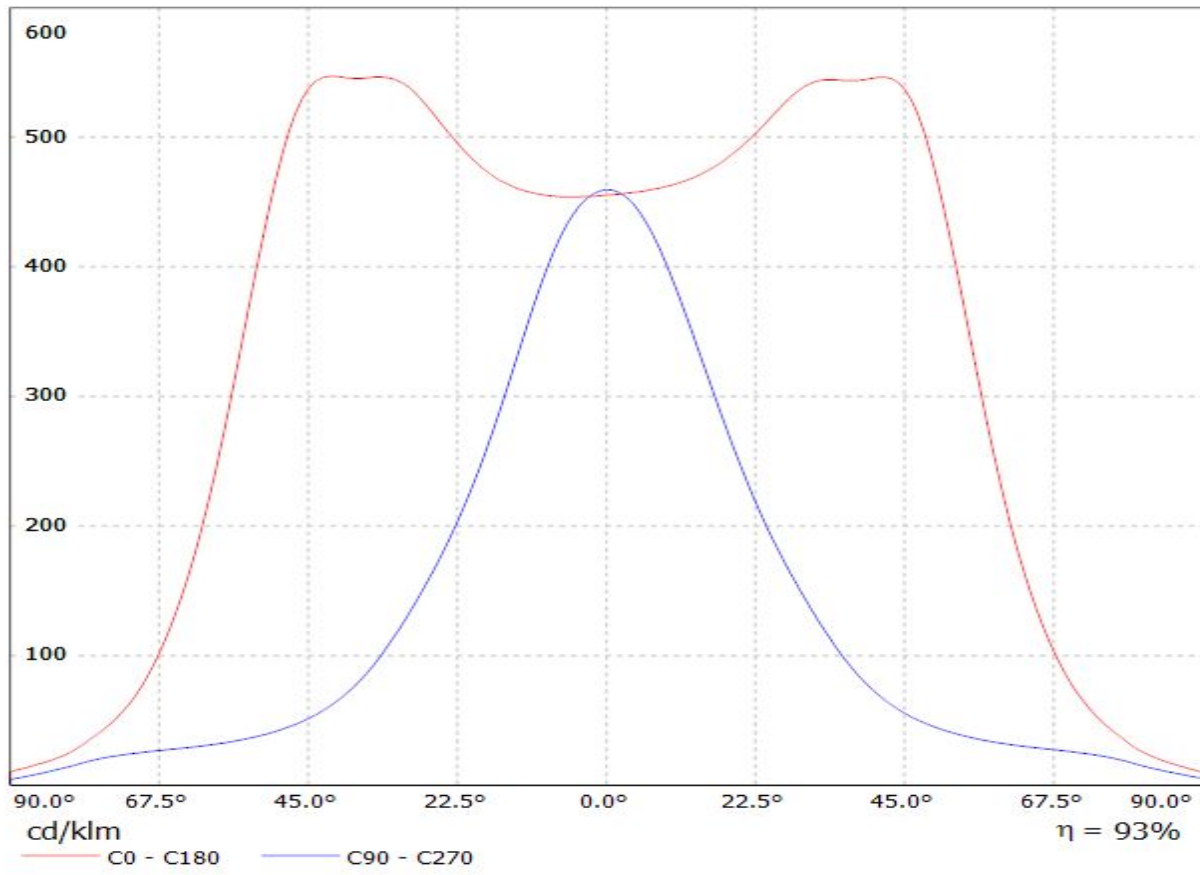


Luminaire: LEDiL Oy C13936\_STRADA-2X2-B2-STP\_(LH351Z) Eff.93.1%  
Lamps: 1 x SAMSUNG\_LH351Z\_2x2\_359.49lm@250mA\_P=2.86371W\_I=249.8mA

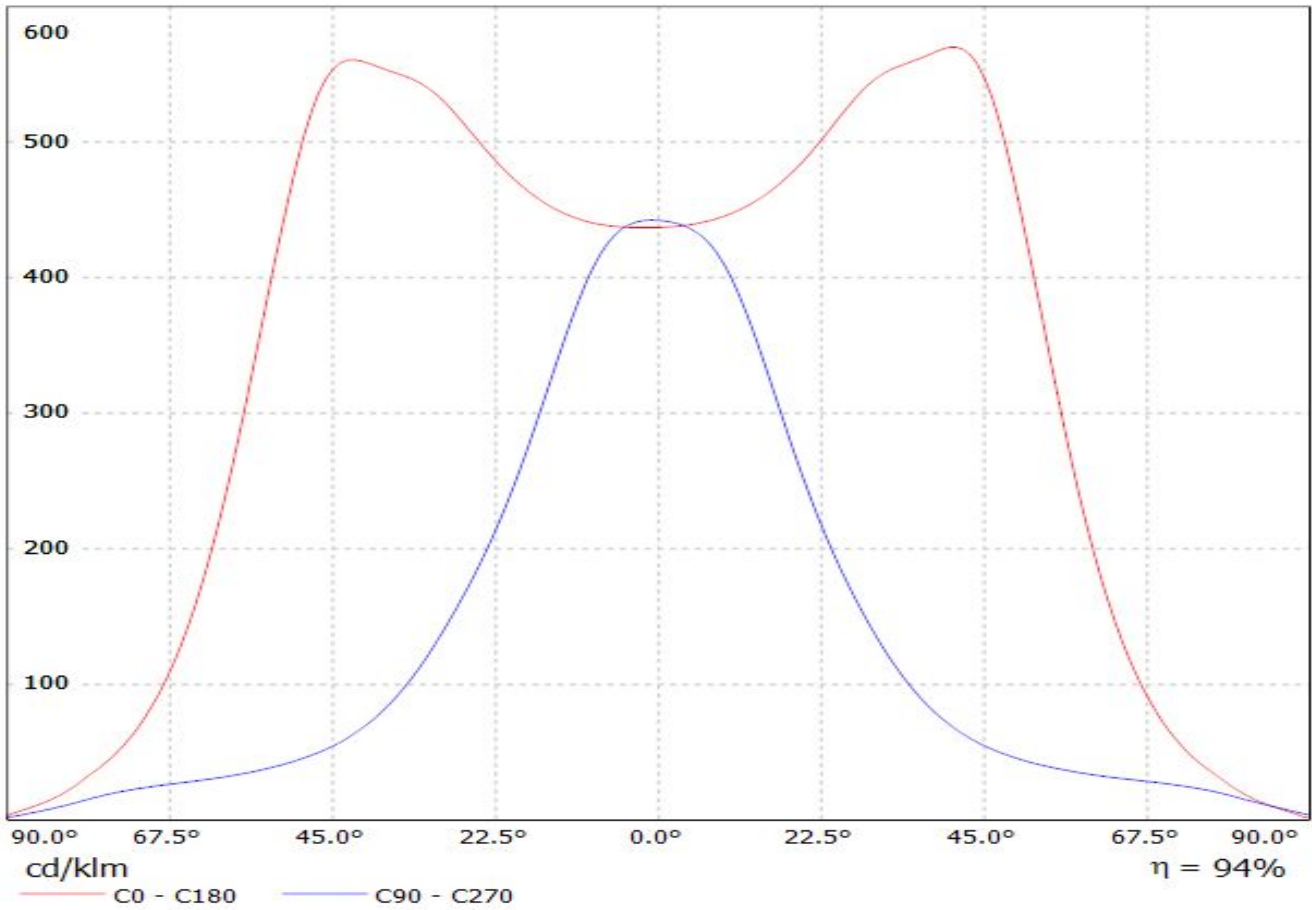


Luminaire: LEDiL Oy C13936\_STRADA-2X2-B2-STP Eff.92.7%

Lamps: 1 x CREE\_XP-G2\_2x2\_(XPGBWT-L1-000-00G51)\_410.822lm@250mA\_CCT=7181K\_P=2.94382W\_I=249.9mA



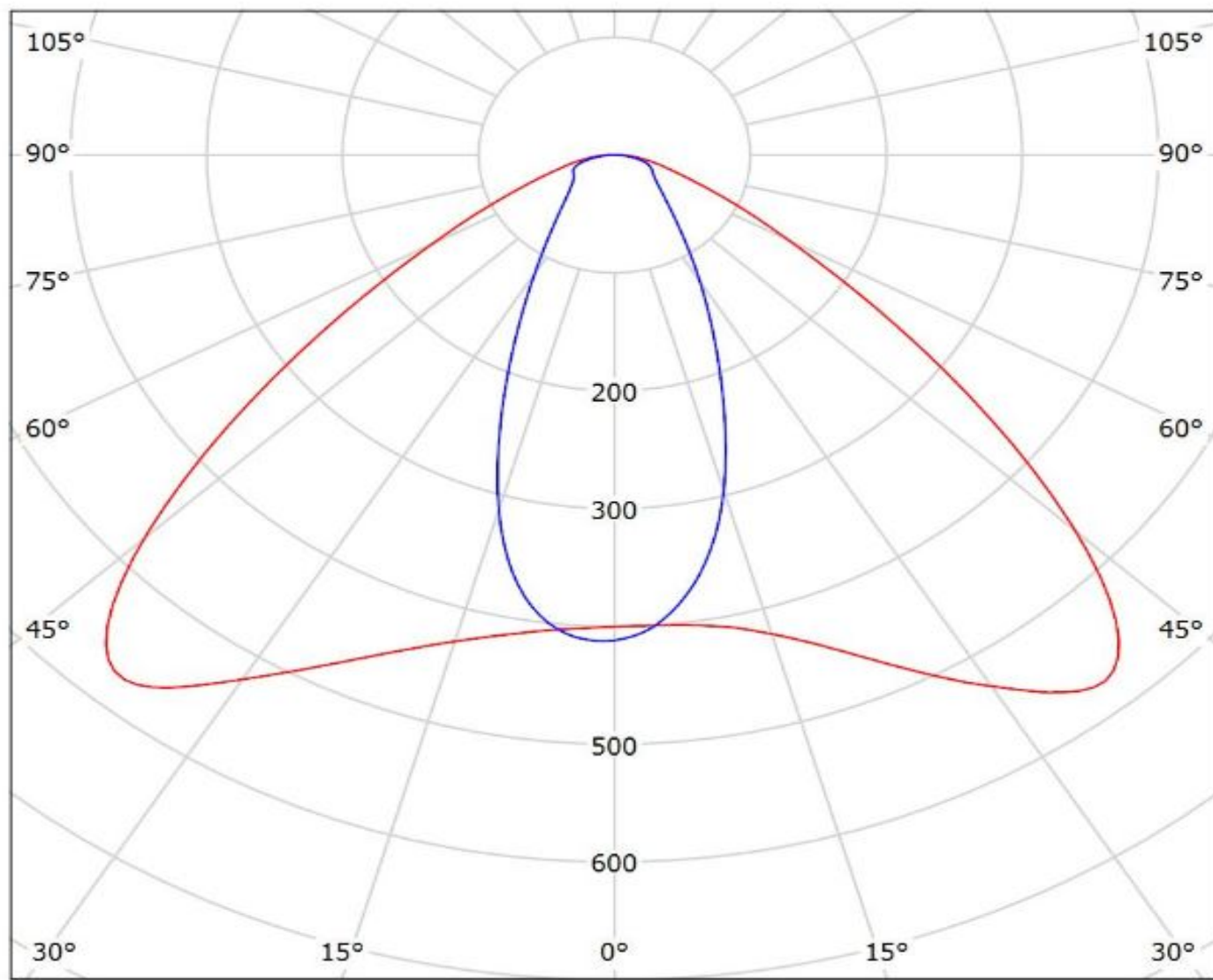
Luminaire: LEDiL Oy C13936\_STRADA-2X2-B2-STP\_(Fortimo\_F-Flex\_2x8\_740DAG3)  
Lamps: 1 x Philips\_Fortimo\_F-Flex\_2x8\_740DAG3\_1786.86lm@250mA\_P=11.6092W\_I=0.2498A



# Ledil C13936\_STRADA-2X2-B2-STP\_(TL1L4) / LDC (Polar)

Luminaire: Ledil C13936\_STRADA-2X2-B2-STP\_(TL1L4)

Lamps: 1 x Toshiba\_TL1L4\_2x2\_(TL1L4-DW0)\_472.639lm@250mA\_CCT=6500K\_P=2.9W\_I=0.25A



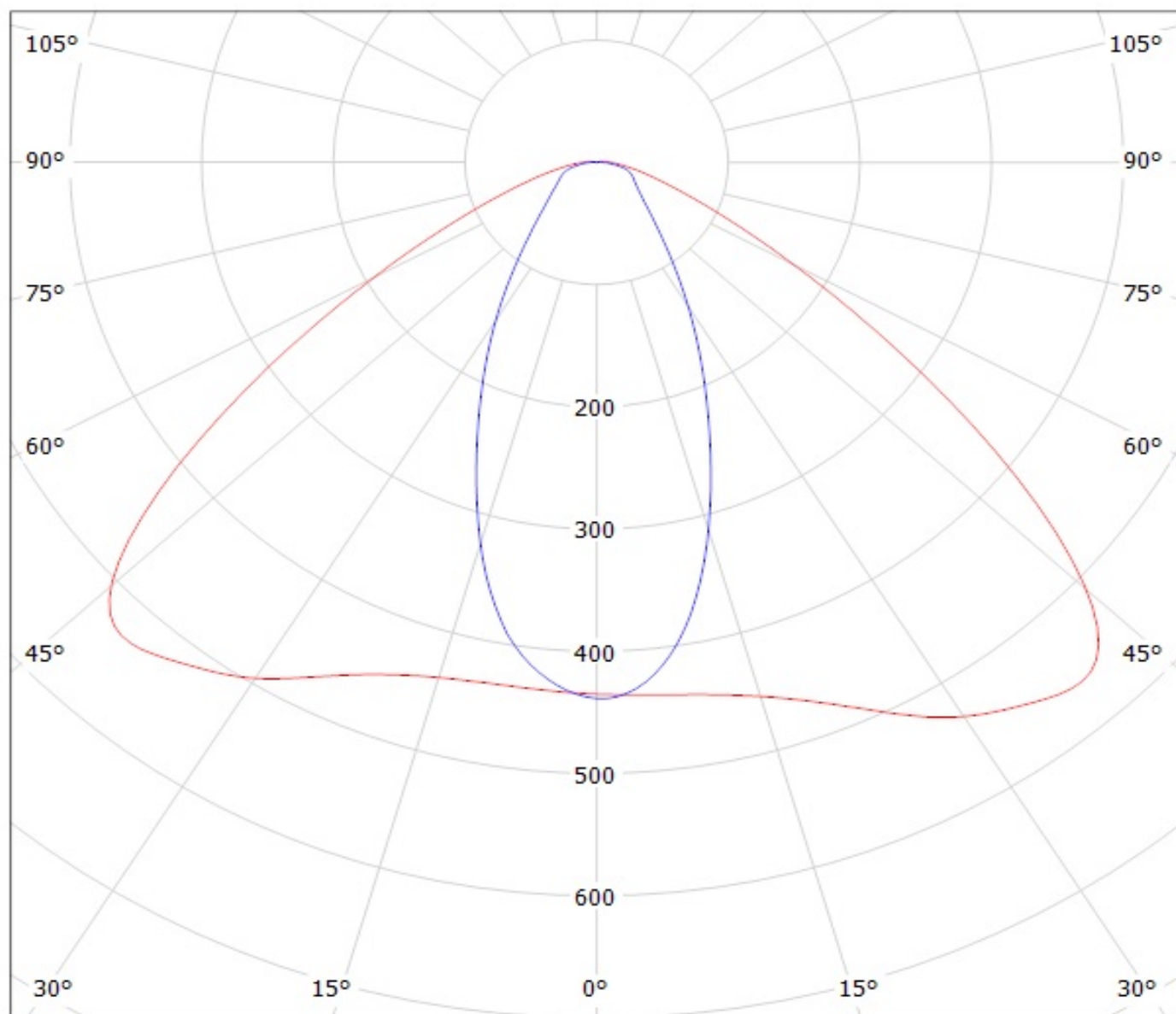
cd/klm

— C0 - C180

— C90 - C270

$\eta = 88\%$

Luminaire: LEDiL Oy C13936\_STRADA-2X2-B2-STP\_(LH351Z) Eff.93.1%  
Lamps: 1 x SAMSUNG\_LH351Z\_2x2\_359.49lm@250mA\_P=2.86371W\_I=249.8mA



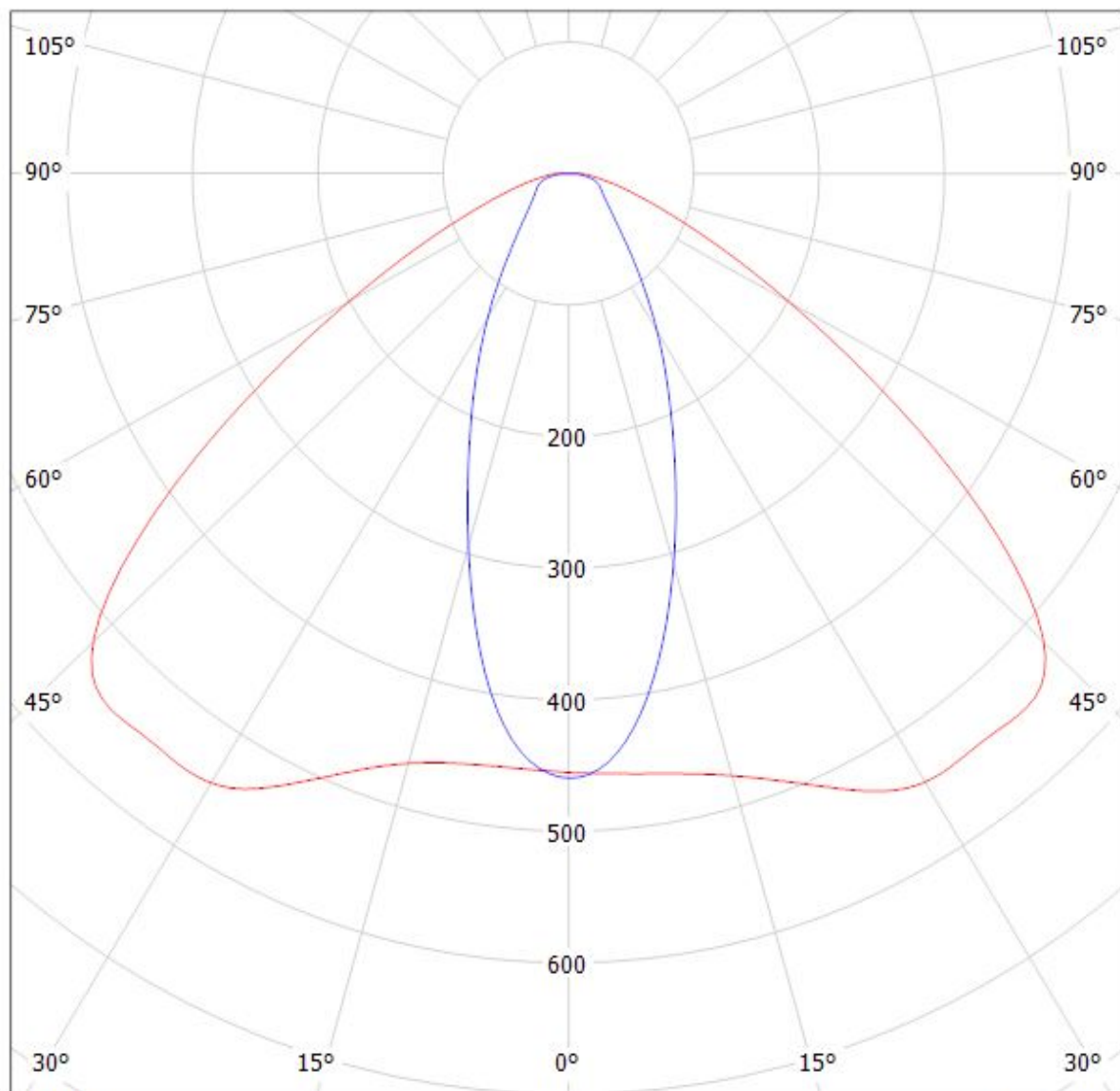
cd/klm

— C0 - C180 — C90 - C270



Luminaire: LEDiL Oy C13936\_STRADA-2X2-B2-STP Eff.92.7%

Lamps: 1 x CREE\_XP-G2\_2x2\_(XPGBWT-L1-000-00G51)\_410.822lm@250mA\_CCT=7181K\_P=2.94382W\_I=249.9mA

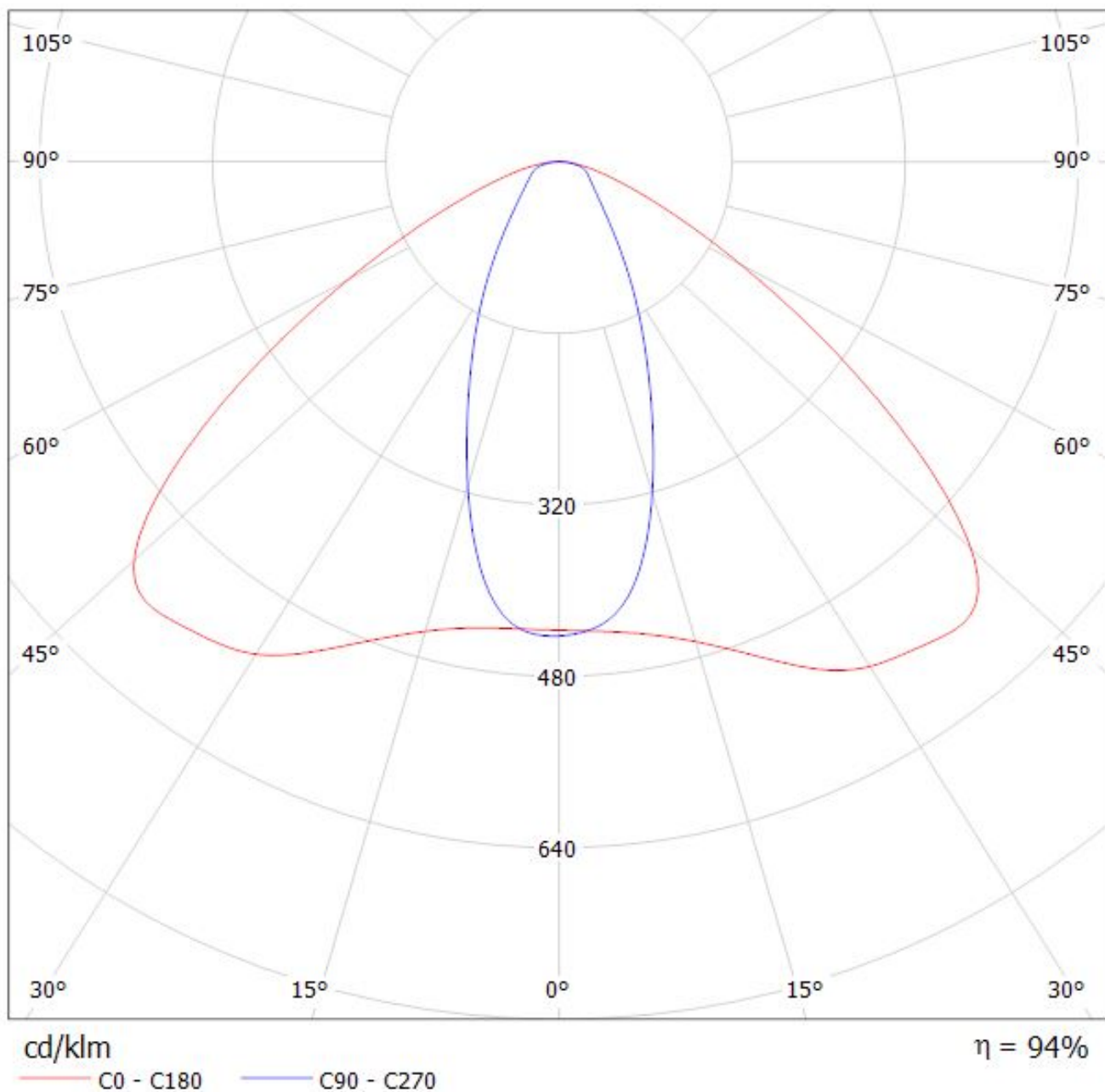


cd/klm

$\eta = 93\%$

— C0 - C180    — C90 - C270

Luminaire: LEDiL Oy C13936\_STRADA-2X2-B2-STP\_(Fortimo\_F-Flex\_2x8\_740DAG3)  
Lamps: 1 x Philips\_Fortimo\_F-Flex\_2x8\_740DAG3\_1786.86lm@250mA\_P=11.6092W\_I=0.2498A



**NOTE: The typical divergence will be changed by different color, chip size and chip position tolerance. The typical total divergence is the full angle measured where the luminous intensity is half of the peak value.**