

# MICRO SWITCH

A DIVISION OF MINNEAPOLIS-HONEYWELL REGULATOR COMPANY  
PUEBLO, ILLINOIS

FED. MFR. CODE 91929

## SWITCH - BASIC

CATALOG LISTING

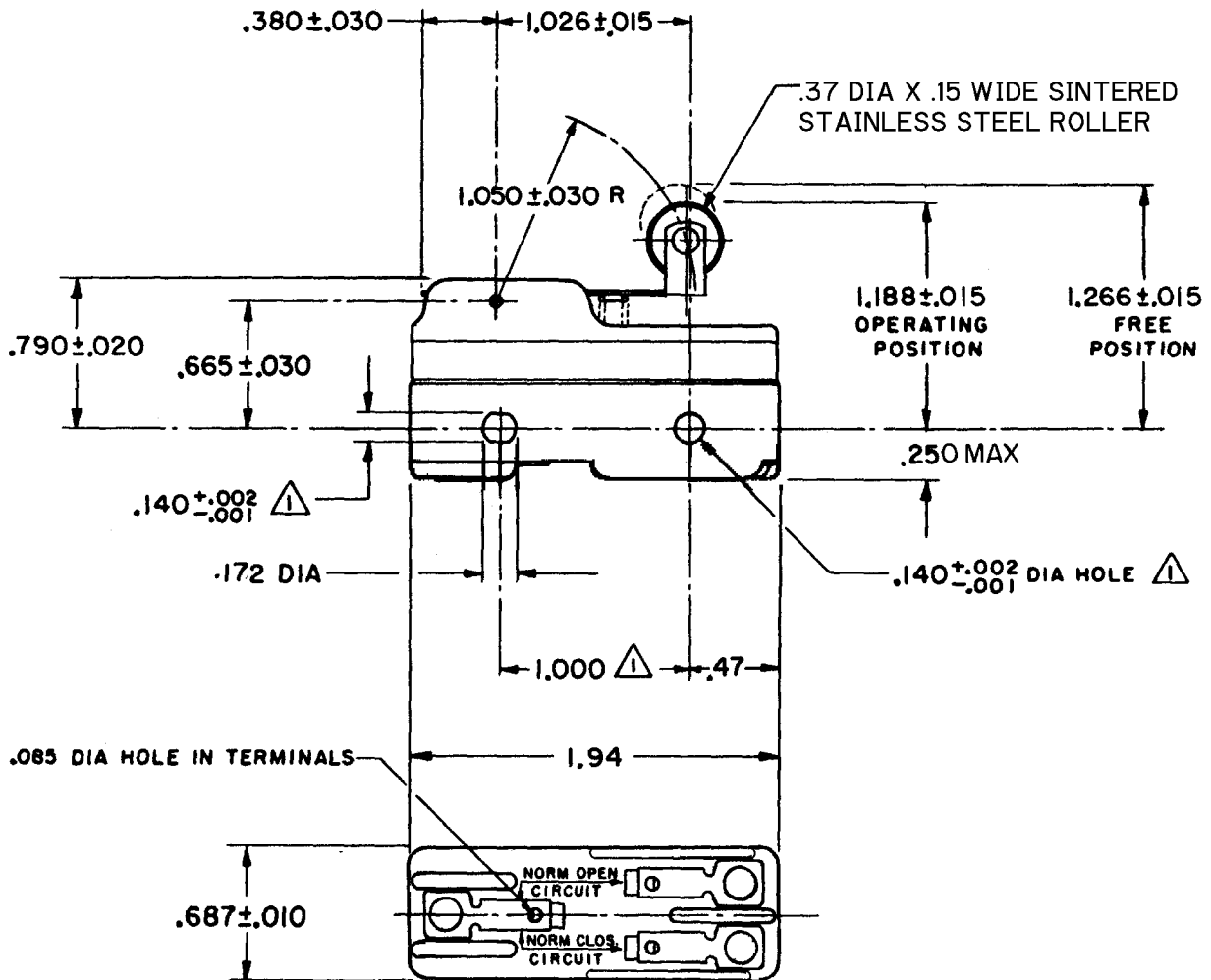
### BZ - 2RW822

DRAWING NUMBER  
**BZ-2RW822**

PAGE 1 OF 1

ISSUE  
**M**  
16

REVISIONS	
A	CO 16736 9 C H 30 MAR 62
B	CO 34306 GLH 8 JUL 75
C	CO 46304 H J H 21 NOV 79
D	CO 52446 WJM 31 JAN 83
E	CO 58037 SMA 1 OCT 85
F	CO 70184-H G R T 2 JUN 92
G	CO-75204B DAW 1 FEB 94
H	CO-78874 DLT 18 NOV 94
J	CO93346 DLT 2 SEP 98
K	CO 94212-J J J A 5 OCT 99



**NOTE**  
 $\triangle$  MOUNTING HOLES WILL ACCEPT PINS OR SCREWS OF  $.139 \text{ MAX DIA}$  ON  $1.000 \pm .002$  CENTERS.

THIS DRAWING COVERS A PROPRIETARY ITEM AND IS THE PROPERTY OF MICRO SWITCH, A DIVISION OF MINNEAPOLIS-HONEYWELL REGULATOR CO. THIS DRAWING IS NOT TO BE COPIED OR USED WITHOUT THE APPROVAL OF MICRO SWITCH.

CHARACTERISTICS	ELECTRICAL DATA	SCALE FULL
OPERATING FORCE ----- 6 OZ MAX	CONTACT ARRANGEMENT S P D T	DO NOT SCALE PRINT
RELEASE FORCE ----- 1 1/2 OZ MIN	-L74- 15A-125, 250, OR 480 VAC, 2A-600 VAC 1/2 A-125 VDC; 1/4 A-250 VDC 1/8 HP-125 VAC; 1/4 HP-250 VAC	UNLESS OTHERWISE SPECIFIED DIMENSIONS ARE IN INCHES <b>TOLERANCES ARE:</b>
DIFFERENTIAL TRAVEL ----- .003-.020	-L288- -L299- -L306-	ONE PLACE (.0) $\pm .030$ TWO PLACE (.00) $\pm .015$ THREE PLACE (.000) $\pm .005$ ANGLES $\pm$
OVERTRAVEL ----- .094 MIN	CE D FU SF 16A 250V $\sim$ T85 5E4	WEIGHT .063 LB

FORMTEK

FO-50378

DRAWN

30 MAR 62

11 APR 62

CHECK

RELEASE NO.

REPLACES