



SPECIFICATION FOR PIEZO ELECTRIC BUZZER

TOTAL PAGE 06

www.be-star.com

Rohs

Customer		Model Name	BPT3112XH10W120 LF
Customer P/N	50ET-005452XAH00X	Product No.	043300
Date	08 May 10	Issue No.	BS/TEP01.744A
Page	01 of 06	Issue Date	10/05/08

Approval:

- 1.Description
- 2.Drawing
- 3.Reliability test
- 4.Packing
- 5.Notice
- 6.History Change Record

Drawn by	Checked by	Approved by	Customer approved
赵峰	邱俊	李红元	

BESTAR ELECTRONICS INDUSTRY CO.,LTD

No.199 HuangHe West Road.New district,ChangZhou,JiangSu Province,P.R.China

Tel: +86 519 88222567 **Fax:** +86 519 88222551

E-mail:wu@be-star.com **http://**www.be-star.com

BPT3112XH10W120 LF



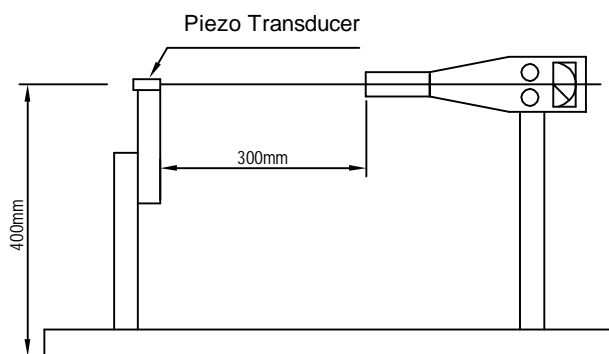
1. Description

1.1 Electrical and Mechanical Characteristics

No.	Item	Specification
1.	Rated Voltage	12VDC
2.	Operating Voltage	3~30VDC
3.	Rated Current	Max.12mA
4.	a)Sound Output at 12V,30cm	85~95dB
5.	Operating Temperature	3.0± 0.5KHz
6.	Storage Temperature	-30...+80°C
7.	Weight	-40...+85°C
8.	Case Material	PBT

a)Value applying at rated voltage.(VDC)

1.2 Standard Output Measurement Setup

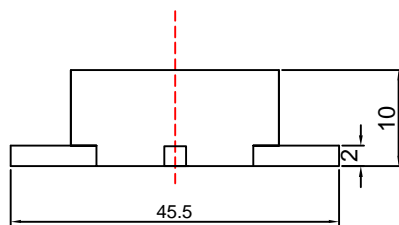
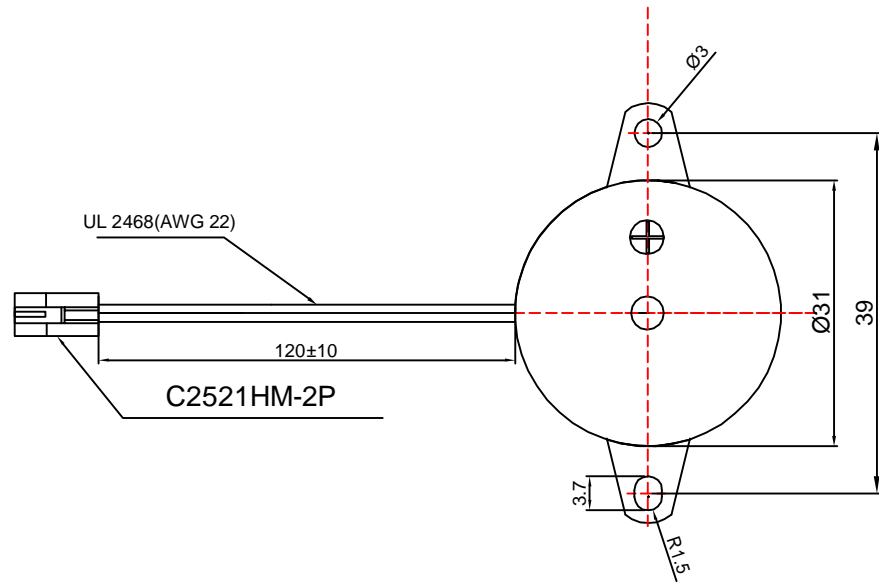


This print and information there in are proprietary to Bestar Electronics Industry Co., Ltd. and shall not be used in whole or in part without its written content.

				Date:	10/05/08	BPT3112XH10W120 LF	
				Drawn by:	赵 峰		
A				Checked by:	邱 俊	Piezo Buzzer	
Rev.	Date	Drawn	Note	Approved by:	李红元		
BESTAR ELECTRONICS INDUSTRY CO.,LTD						DRG NO: BS/TEP01.744A	Page:2 of 6
www.be-star.com wu@be-star.com							

BPT3112XH10W120 LF

2.Drawing



Unit :mm
Tolerance: ± 0.5

Attached with double side adhesive(3M) sponge on the back.
Dimension $\varnothing 25 \times 2.4$ mm

This print and information there in are proprietary to Bestar Electronics Industry Co., Ltd. and shall not be used in whole or in part without its written content.

				Date:	10/05/08	BPT3112XH10W120 LF	
				Drawn by:	赵 峰		
A	A			Checked by:	邱 俊	Piezo Buzzer	
REV.	Date	Drawn	Note	Approved by:	李红元		
BESTAR ELECTRONICS INDUSTRY CO.,LTD						DRG NO: BS/TEP01.744A	Page:3 of 6
www.be-star.com wu@be-star.com							

BPT3112XH10W120 LF

3. Reliability test

3.1 High temperature test

Temperature **+85°C**
Duration **96hrs**

3.2 Low temperature test

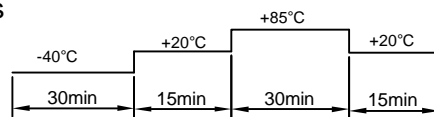
Temperature **-40°C**
Duration **96hrs**

3.3 Life test in normal temperature

Power supply **rated voltage**
Duration **240hrs**

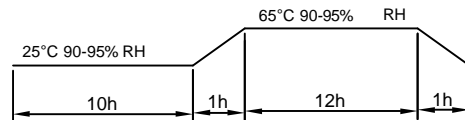
3.4 Temperature cycle test

Cycles **5**



3.5 Humidity cycle test

Cycles **5**



all these tests above should be measured after leaving normal temperature for 2hrs.

3.6 Drop test

Height **70cm**
(to 10mm thickness woodenboard)
Direction **3**

Notice: All specifications must be satisfied in this condition.

After each test, initial SPL±5dB, there is no any degradation in appearance

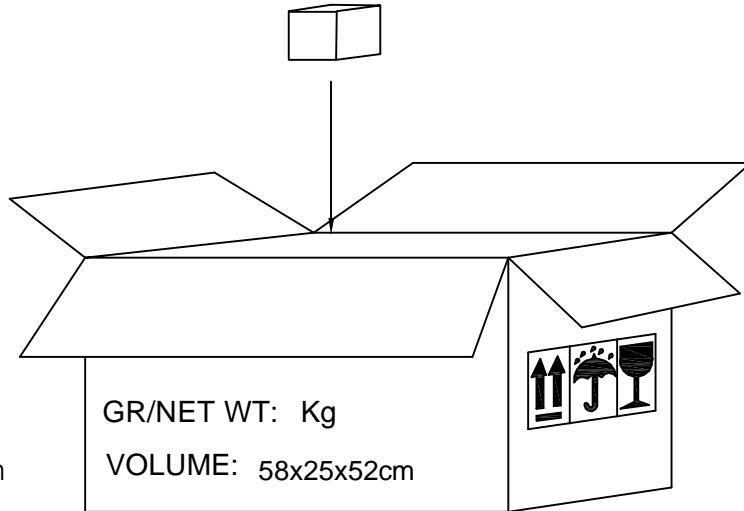
This print and information there in are proprietary to Bestar Electronics Industry Co., Ltd. and shall not be used in whole or in part without its written content

				Date:	10/05/08	BPT3112XH10W120 LF	
				Drawn by:	赵 峰		
A	A			Checked by:	邱 俊	Piezo Buzzer	
REV.	Date	Drawn	Note	Approved by:	李红元		
BESTAR ELECTRONICS INDUSTRY CO.,LTD						DRG NO: BS/TEP01.744A	Page:4 of 6
www.be-star.com wu@be-star.com							

BPT3112XH10W120 LF

4. Packing

4.1 Packing Drawing



4.2 packing quantity

- 4.21 40 pcs/box
- 4.22 30 boxes/carton
- 4.23 1200 pcs/carton in total
- 4.24 carton size 58x25x52cm

5. Notice

- 5.1 The products mustn't be washed
- 5.2 **Storage Condition**
The products should be stored in the room ,where the temperature/humidity is stable. And avoid such places where there are large temperature changes. Please store the products at the following conditions:
Temperature: -10 to + 40°C Humidity: 15 to 85% R.H.
- 5.3 **Expire Date on Storage**
Expire date (Shelf life) of the products is six months after delivered under the conditions of a sealed and an unopened package. Please use the products within six months after delivered. If you store the products for a long time (more than six months), use carefully because the products may be degraded in the solderability and/or rusty. Please confirm solderability and characteristics for the products regularly.
- 5.4 **Notice on Product Storage**
(1) Please do not store the products in a chemical atmosphere (Acids, Alkali, Bases, Organic gas, Sulfides and so on), because the characteristics may be reduced at quality, and/or be degraded in the solderability due to the storage in a chemical atmosphere.
(2) Please use the products immediately after the package is opened, because the characteristics may be reduced at quality, and/or be degraded in the solderability due to storage under the poor condition.
(3) Please do not drop the products to avoid cracking of ceramic element.

This print and information there in are proprietary to Bestar Electronics Industry Co., Ltd. and shall not be used in whole or in part without its written content

				Date:	10/05/08	BPT3112XH10W120 LF	
				Drawn by:	赵 崢		
				Checked by:	邱 俊	Piezo Sounder	
REV.	Date	Drawn	Note	Approved by:	李红元		
BESTAR ELECTRONICS INDUSTRY CO.,LTD www.be-star.com wu@be-star.com						DRG NO: BS/TEP01.744A	Page:5 of 6

