

BL0307-50-46

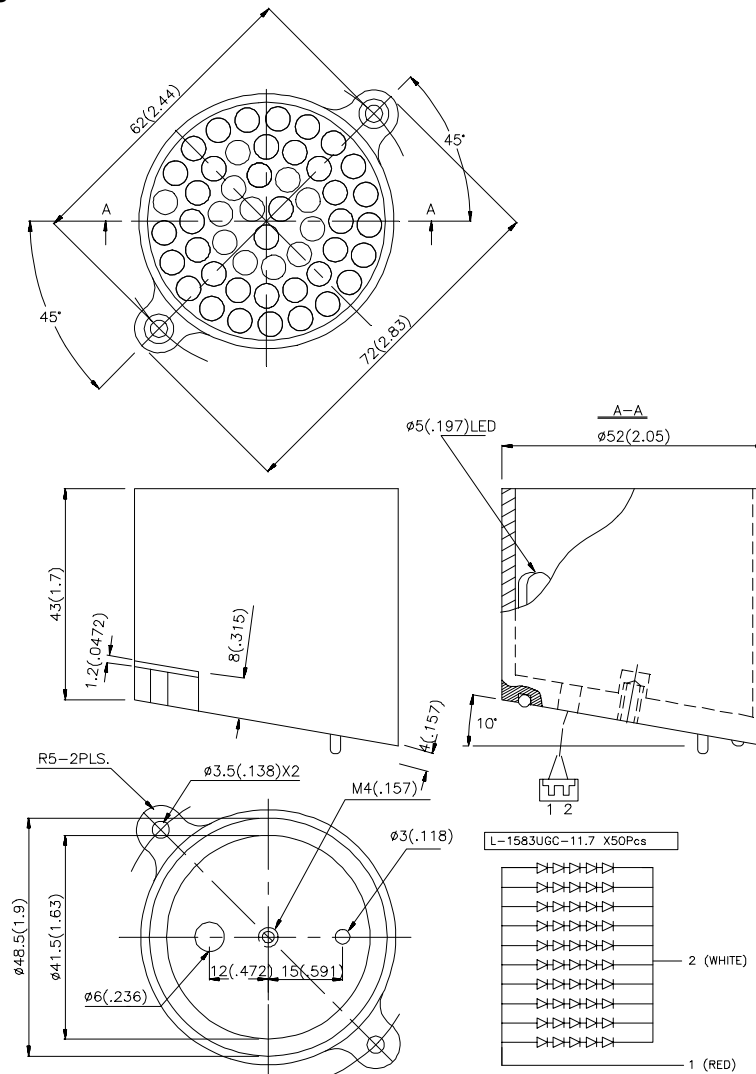
### Features

- WATERPROOF CONSTRUCTION.
- SUITABLE FOR OUTDOOR APPLICATIONS, SIGNBOARD OR MESSAGE BOARD, ETC.
- BOTH SINGLE COLOR AND MULTI-COLOR (RED, GREEN & ORANGE) ARE AVAILABLE.

### Description

The Green source color devices are made with Gallium Phosphide Green Light Emitting Diode.

### Package Dimensions



#### Notes:

1. All dimensions are in millimeters (inches).
2. Tolerance is  $\pm 0.25(0.01")$  unless otherwise noted.
3. Lead spacing is measured where the lead emerge package.
4. Specifications are subjected to change without notice.

## Electrical / Optical Characteristics at $T_A=25^{\circ}\text{C}$

Symbol	Parameter	Device	Min.	Typ.	Max.	Units	Test Conditions
I <sub>v</sub>	Luminous Intensity	BL0307-50-46	10000	15000	-	mcd	I <sub>F</sub> =200mA
2θ <sub>1/2</sub>	Viewing Angle		-	40	-	Deg	-
V <sub>F</sub>	Forward Voltage		-	11	12.5	V	I <sub>F</sub> =200mA
λ <sub>peak</sub>	Peak Wavelength		-	562	-	nm	I <sub>F</sub> =200mA
λ <sub>D</sub>	Dominant wavelength		-	568	-	nm	I <sub>F</sub> =200mA
Δλ <sub>1/2</sub>	Spectral Line Half-width		-	30	-	nm	I <sub>F</sub> =200mA
I <sub>R</sub>	Reverse Current		-	-	100	uA	V <sub>R</sub> = 5V

## Absolute Maximum Ratings at $T_A=25^{\circ}\text{C}$

Parameter	Type	Units
Power dissipation	3000	mW
DC Forward Current	250	mA
Reverse Voltage	5	V
Operating Temperature	-40°C To +70°C	
Storage Temperature	-40°C To +85°C	